

1

2

3

4

A

A

B

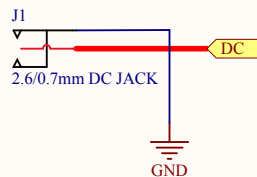
B

C

C

D

D



Title 2.35/0.7mm DC Jack		Hardkernel Co.,LTD. 704 Anyang K-center 1591-9 Burim, Dongangu, Anyang Kyeongido South Korea	
Size: A4	Number: 14.	Revision: 0.5	
Date: 2014-04-21	Time: 오후 1:53:12	Sheet 14 of 6	
File: D:\hw\hkl\pegasus\ups\CON_DCJACK.SchDoc			

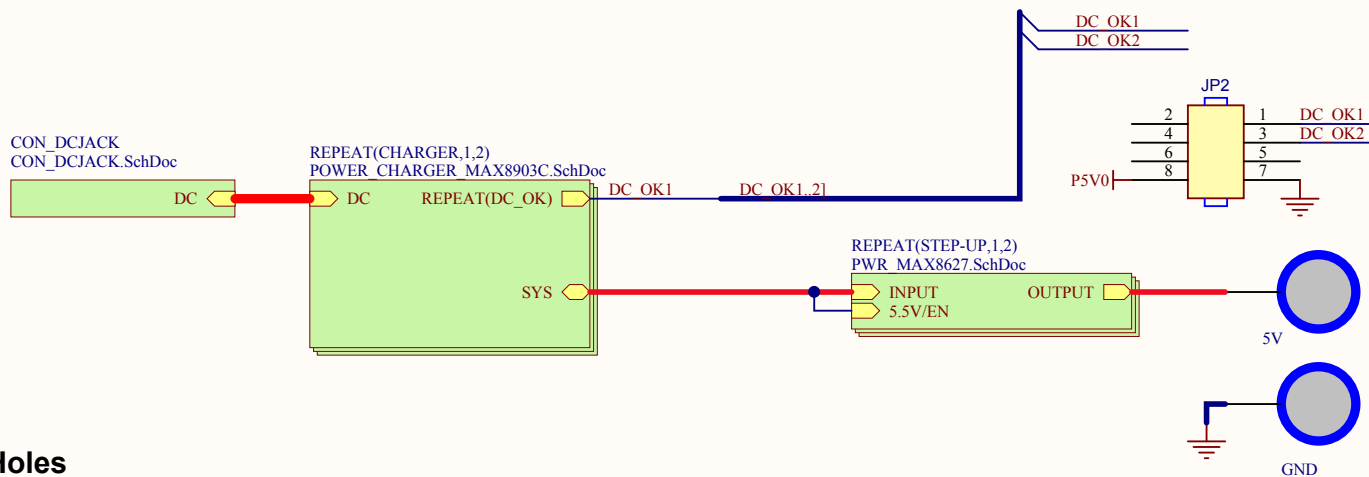


1

2

3

4



Mounting Holes


- MH1

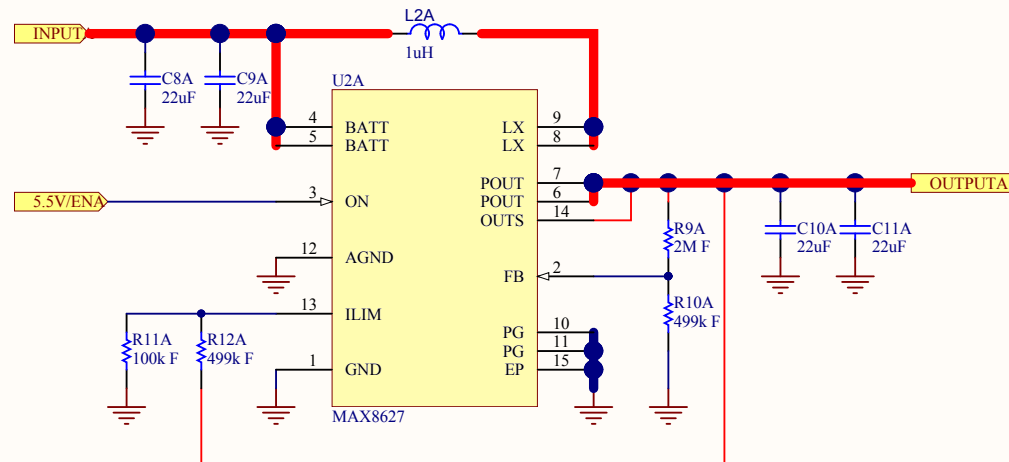
 MOUNTING HOLE 3MM
- MH2

 MOUNTING HOLE 3MM
- MH3

 MOUNTING HOLE 3MM
- MH4

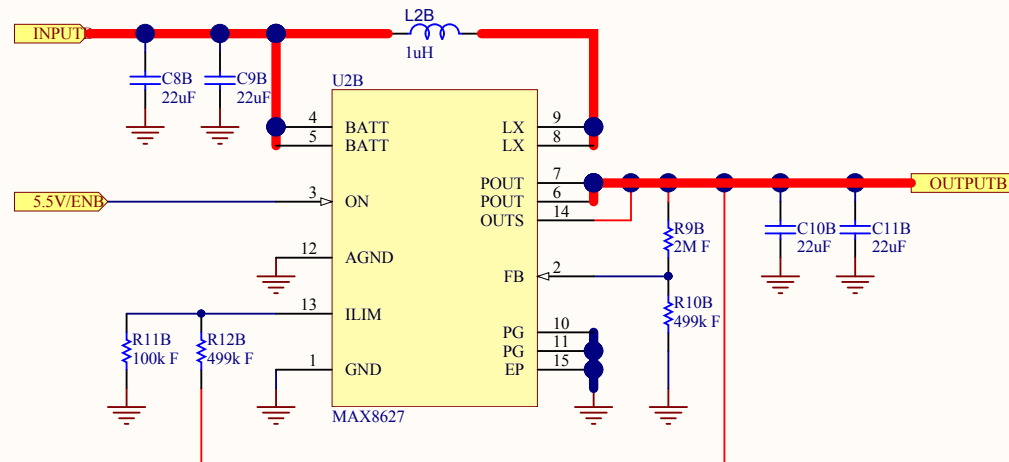
 MOUNTING HOLE 3MM

Title ODROID-Q BASE PSU			Hardkernel Co.,LTD. 704 Anyang K-center 1591-9 Burim, Dongangu, Anyang Kyeonggido South Korea	
Size: A4	Number: 18.	Revision: 0.5		
Date: 2014-04-21	Time: 오후 1:53:12	Sheet 18 of 6		
File: D:\hw\hkl\pegasus\ups\UPS.SchDoc				



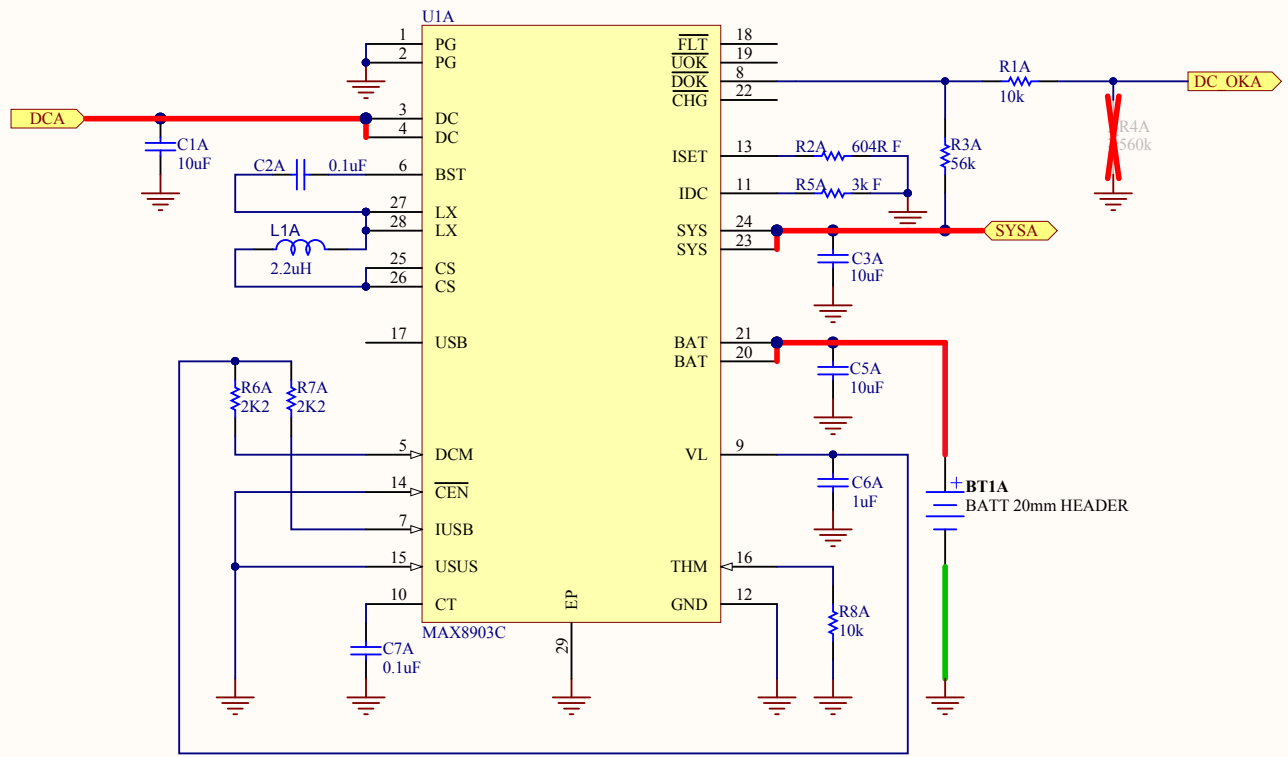
Title Step-Up +5V DC/DC		Hardkernel Co.,LTD. 704 Anyang K-center 1591-9 Burim, Dongangu, Anyang Kyeonggido South Korea	
Size: A4	Number: 19.1	Revision: 0.5	
Date: 2014-04-21	Time: 오후 1:53:12	Sheet 19. bf 6	
File: D:\hw\hkl\pegasus\ups\PWR_MAX8627.SchDoc			




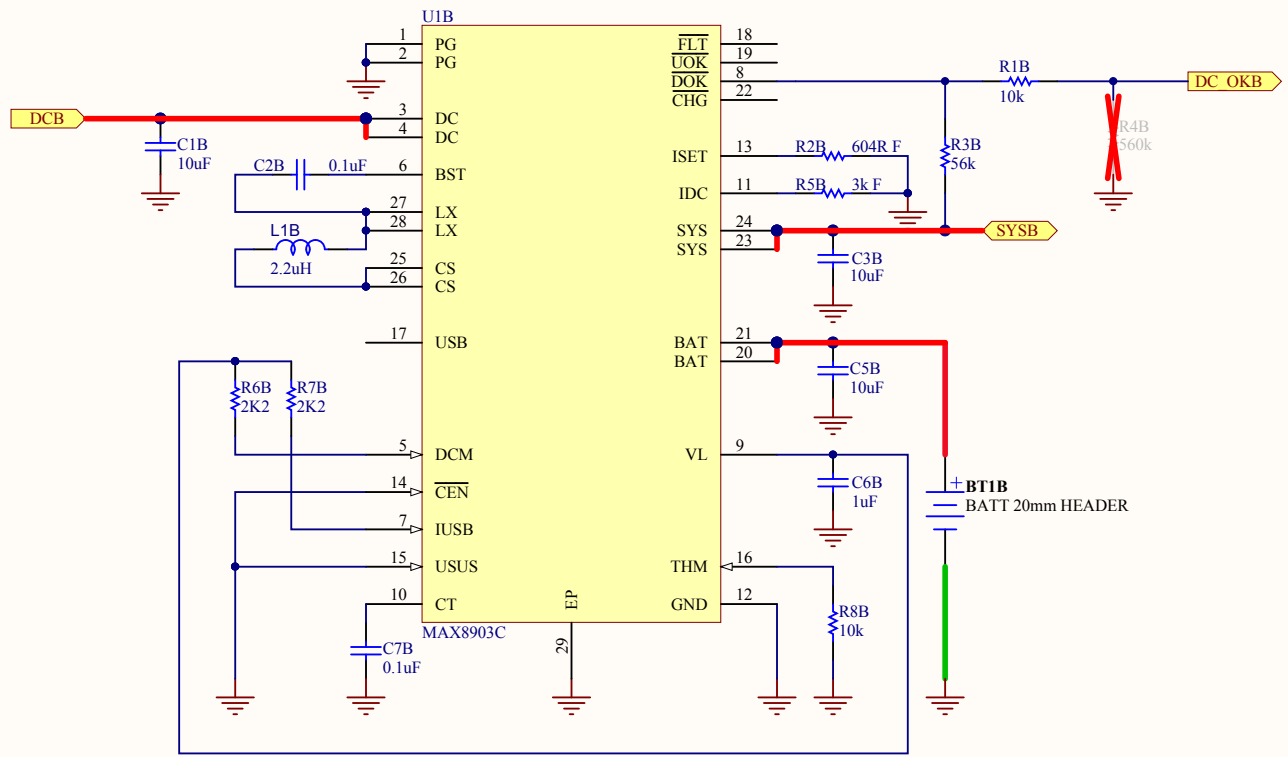



Title Step-Up +5V DC/DC		Hardkernel Co.,LTD. 704 Anyang K-center 1591-9 Burim, Dongangu, Anyang Kyeonggido South Korea	
Size: A4	Number: 19.2	Revision: 0.5	
Date: 2014-04-21	Time: 오후 1:53:12	Sheet 19.2 of 6	
File: D:\hw\hkl\pegasus\ups\PWR_MAX8627.SchDoc			





Title 2A 1-Cell Li+ DC-DC Chargers			Hardkernel Co.,LTD. 704 Anyang K-center 1591-9 Burim, Dongangu, Anyang Kyeonggido South Korea 
Size: A4	Number:20.1	Revision:0.2	
Date: 2014-04-21	Time: 오후 1:53:12	Sheet 20. bf 6	
File: D:\hw\hkl\pegasus\ups\POWER_CHARGER_MAX8903C.SchDoc			



Title 2A 1-Cell Li+ DC-DC Chargers			Hardkernel Co.,LTD. 704 Anyang K-center 1591-9 Burim, Dongangu, Anyang Kyeonggido South Korea 
Size: A4	Number:20.2	Revision:0.2	
Date: 2014-04-21	Time: 오후 1:53:12	Sheet 20 of 6	
File: D:\hw\hkl\pegasus\ups\POWER_CHARGER_MAX8903C.SchDoc			

Bill of Materials

Bill of Materials For Variant [Variant of Pegasus_BASE] of Project [UPS.PrjPcb] (No P

Source Data From: UPS.PrjPcb
 Project: UPS.PrjPcb
 Variant: Variant of Pegasus_BASE

Creation Date: 2014-04-21 오후 1:53:14
 Print Date: 41750 41750.57868

Footprint	Comment	LibRef	Designator	Description	Quantity
12505HS-02	BATT 20mm HEADER	D-302-0000	BT1A, BT1B	1.25 W/B CONN.SMT	2
CAPC1608L	10uF	CAP-NP-10uF-10%-6.3V-X5R-1608	C1A, C1B, C3A, C3B, C5A, C5B	CAP CER 10uF,6.3V,10%,X5R,1608	6
CAPC1005L	0.1uF	CAP-NP-100nF-10%-16V-X7R-1005	C2A, C2B, C7A, C7B	CAP CER 100nF,16V,10%,X7R,1005	4
CAPC1005L	1uF	CAP-NP-1uF-10%-16V-X5R-1005	C6A, C6B	CAP CER 1uF,16V,10%,X5R,1005	2
CAPC1608L	22uF	CAP-NP-22uF-6.3V-X5R-1608	C8A, C8B, C9A, C9B, C10A, C10B, C11A, C11B	CAP CER 22uF,6.3V,X5R,1608	8
HJ02-AH0121-A1	2.6/0.7mm DC JACK	DCJACK_HJ02-AH0121-A1	J1	HJ02-AH0121-A1	1
PH03-08DS(12.8mm)		CON-A3B-8PA-2DSA	JP2	2mm Pitch Header	1
IND-LPC5020T	2.2uH	IND-LPC5020T-2R2M	L1A, L1B	SMD POWER INDUCTOR	2
INDC2520L	1uH	IND-CIG22H1R0MNE	L2A, L2B	SMD POWER INDUCTOR	2
RESC1005L	10k	RES-10K-J-1005	R1A, R1B, R8A, R8B	RES 10kΩ 5% 1005	4
RESC1005L	604R F	RES-604R-F-1005	R2A, R2B	RES 604Ω 1% 1005	2
RESC1005L	56k	RES-560K-J-1005	R3A, R3B	RES 560kΩ 5% 1005	2
RESC1005L	3k F	RES-3K-F-1005	R5A, R5B	RES 3kΩ 1% 1005	2
RESC1005L	2K2	RES-2.2K-J-1005	R6A, R6B, R7A, R7B	RES 2.2kΩ 5% 1005	4
RESC1005L	2M F	RES-2M-F-1005	R9A, R9B	RES 2MΩ 1% 1005	2
RESC1005L	499k F	RES-499K-F-1005	R10A, R10B, R12A, R12B	RES 499kΩ 1% 1005	4
RESC1005L	100k F	RES-100K-F-1005	R11A, R11B	RES 100kΩ 1% 1005	2
QFN40P400X400X75-28N	MAX8903C	MAX8903C	U1A, U1B	2A 1-Cel Li+ DC-DC chargers for usb and Adapter Power	2
MAX8627	Boost Converter with True Shutdown		TDFN_3x3_14L	Low VBATT, 20μA IQ, 1MHz Synchronous Boost Converter with True Shutdown	MAX8627

52

Approved	Notes