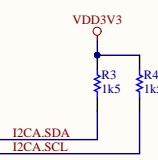
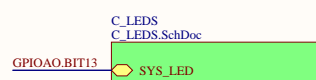
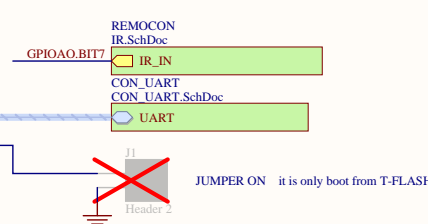
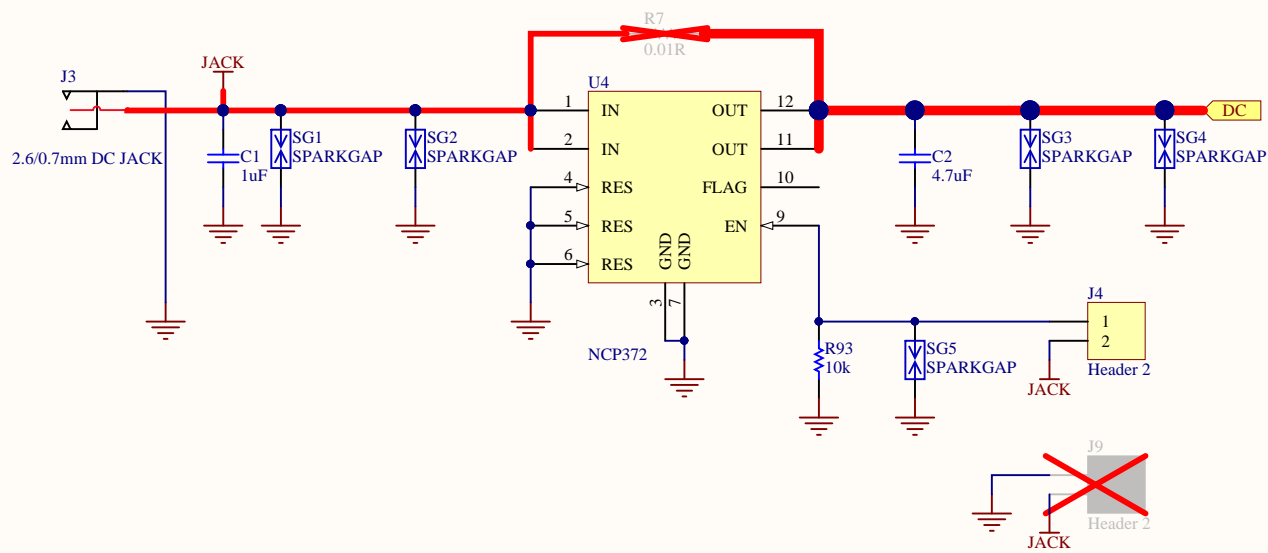

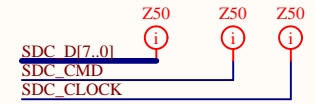
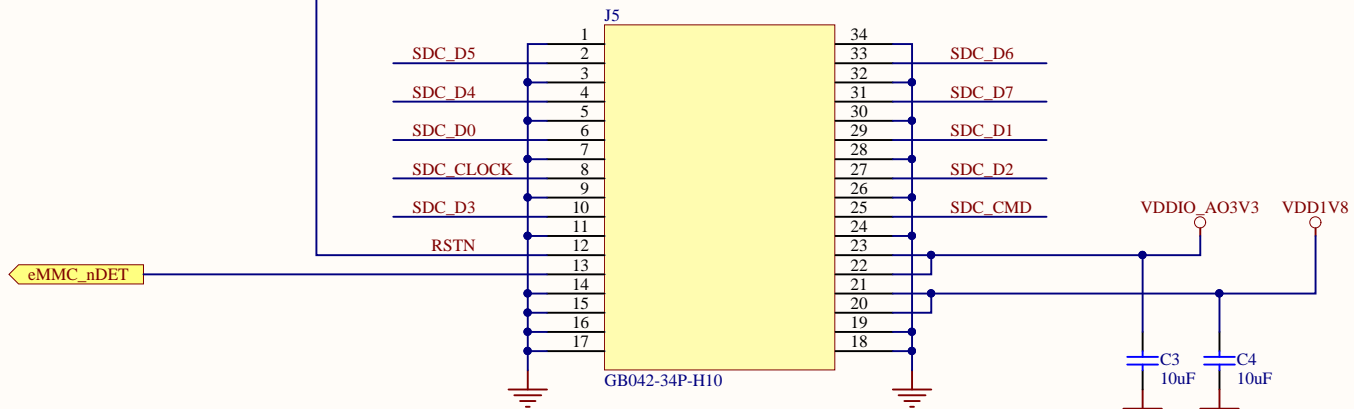
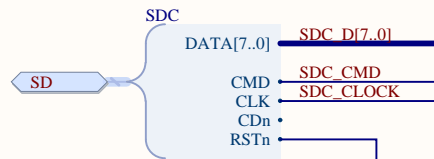


GPIOY.BIT1	GPIOY.BIT0	Revision
0	0	0.1
0	1	0.2
1	0	0.3
1	1	0.4

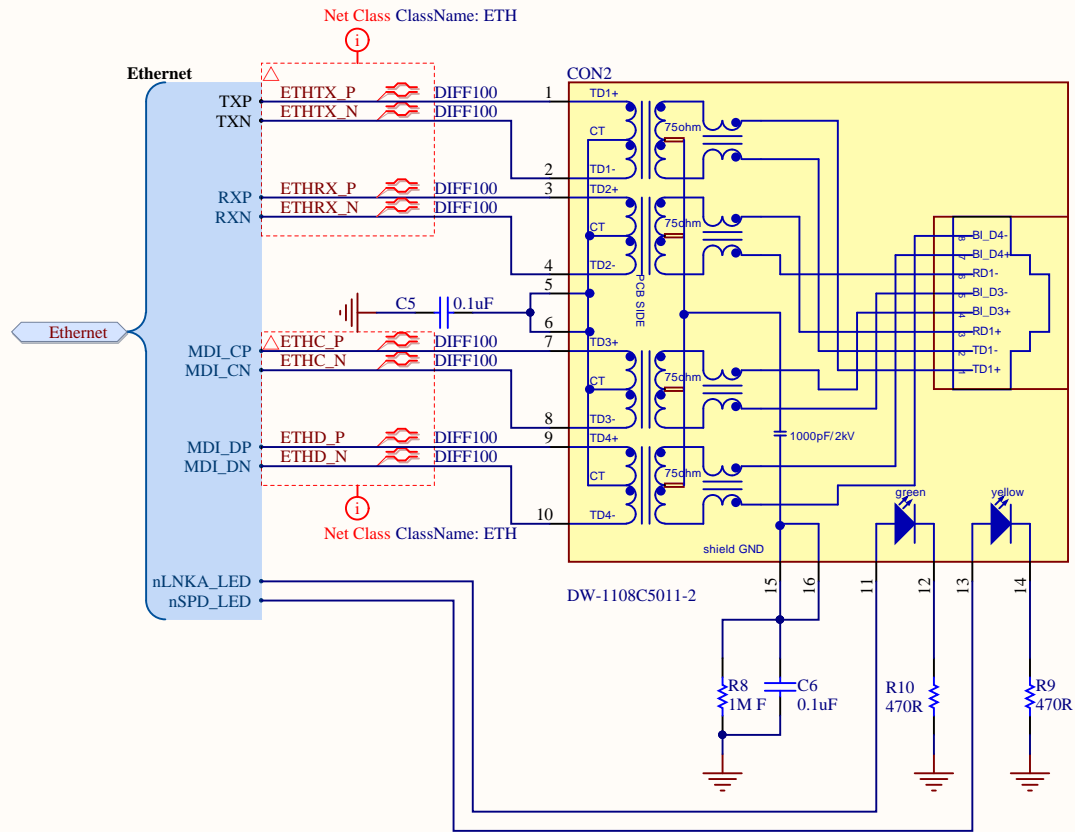




Title <b>DC Jack</b>			Hardkernel Co.,LTD. 475-1 Mananro Manangu, Anyang City Gyeongido South Korea Designed by: <a href="mailto:ruppi.kim@hardkernel.com">ruppi.kim@hardkernel.com</a>	
Size: A4	Number:2	Revision:0.1		
Date: 2016-05-12	Time: 오후 6:54:08 Sheet 2 of 26			
File: <a href="#">CON_DCJACK.SchDoc</a>				



Title <b>CON_eMMC</b>			Hardkernel Co.,LTD. 475-1 Mananro Manangu, Anyang City Gyeonggido South Korea		
Size: A4	Number:3	Revision:0.1			
Date: 2016-05-12	Time: 오후 6:54:08	Sheet 3 of 26	Designed by: ruppi kim@hardkernel.com		
File: CON_EMMC.SchDoc					



Title **Giga Ethernet Connector**

Size: A4

Number:4

Revision:0.1

Date: 2016-05-12

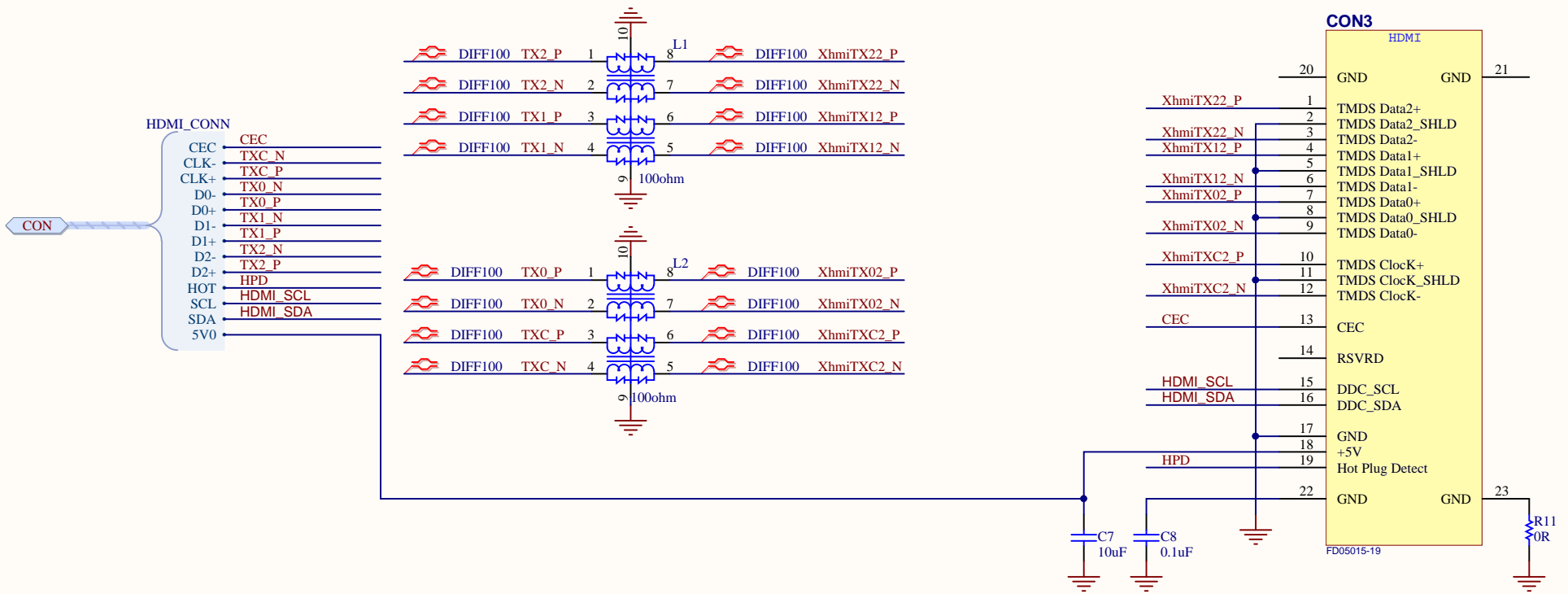
Time: 오후 6:54:08 Sheet 4 of 26

File: CON\_GIGA\_ETH.SchDoc

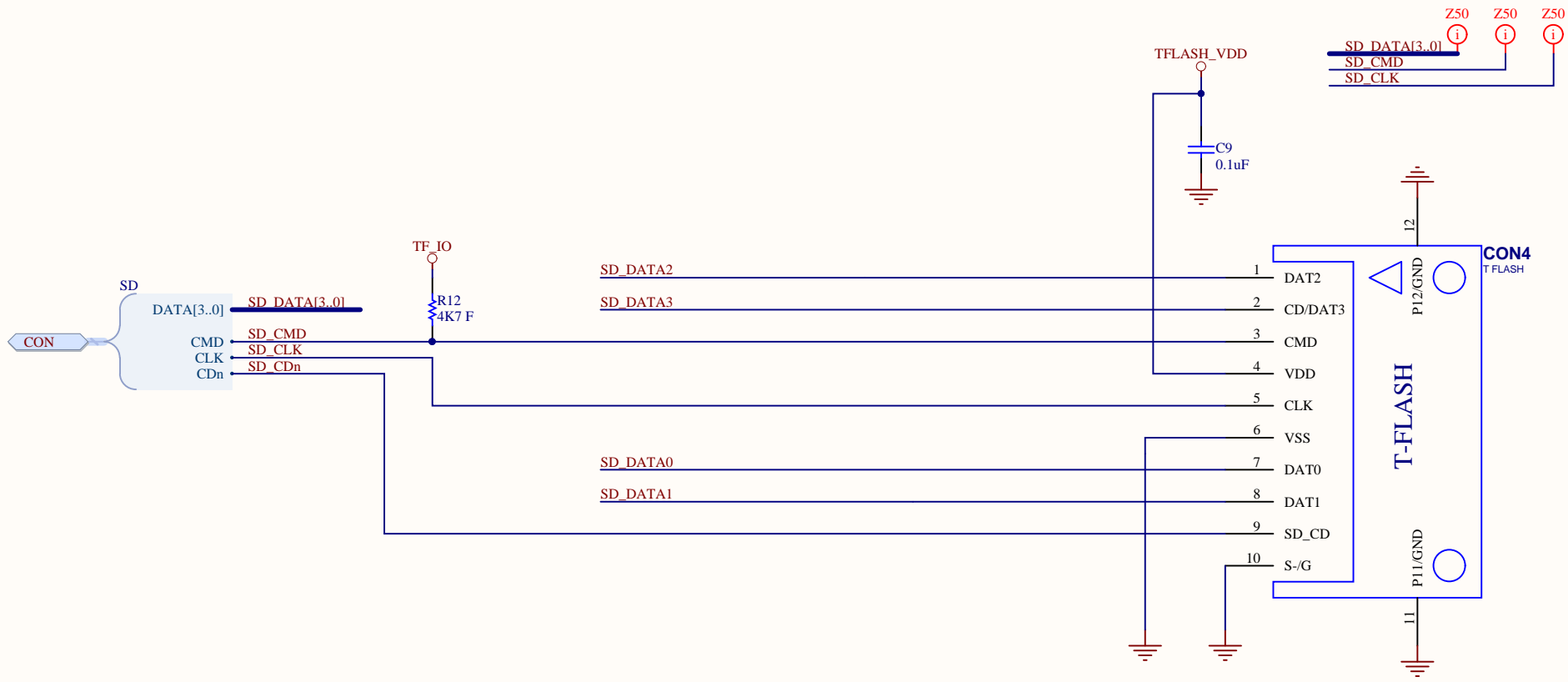
Hardkernel Co.,LTD.  
475-1 Mananro  
Manangu, Anyang City  
Gyeonggido  
South Korea



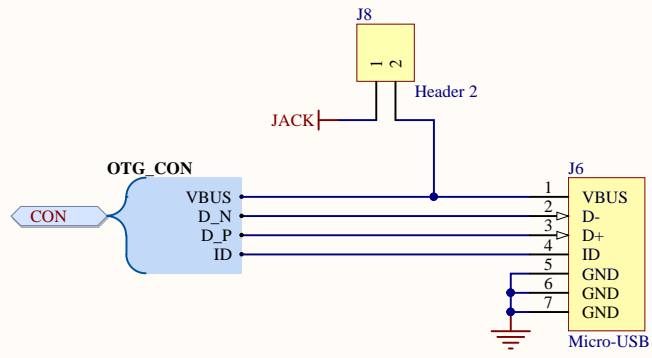
Designed by: ruppi.kim@hardkernel.com




Title <b>HDMI Type A Connector</b>			Hardkernel Co.,LTD. 475-1 Mananro Manangu, Anyang City Gyeonggido South Korea		
Size: A4	Number:5	Revision:0.1			
Date: 2016-05-12	Time: 오후 6:54:08	Sheet5 of 26	Designed by: ruppi kim@hardkernel.com		
File: CON_HDMI.SchDoc					



Title <b>Micro SD Socket</b>			Hardkernel Co.,LTD. 475-1 Mananro Manangu, Anyang City Gyeonggido South Korea	
Size: A4	Number:6	Revision:0.1		
Date: 2016-05-12	Time: 오후 6:54:08	Sheet 6 of 26	Designed by: ruppi kim@hardkernel.com	
File: CON_MICROSD_HD08-AL00335.SchDoc				



Title <b>Micro USB Connector</b>			<i>Hardkernel Co.,LTD.</i> 475-1 Mananro Manangu, Anyang City Gyeonggido South Korea Designed by: <a href="mailto:ruppi.kim@hardkernel.com">ruppi.kim@hardkernel.com</a>	
Size: A4	Number:7	Revision:0.1		
Date: 2016-05-12	Time: 오후 6:54:08 Sheet 7 of 26			
File: CON_MICROUSB.SchDoc				

1

2

3

4

A

A

B

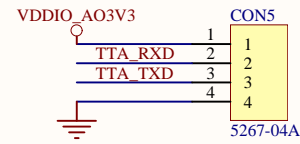
B


C

C

D

D



Title <b>CON_UART</b>			<i>Hardkernel Co.,LTD.</i> 475-1 Mananro Manangu, Anyang City Gyeonggido South Korea Designed by: <a href="mailto:ruppi.kim@hardkernel.com">ruppi.kim@hardkernel.com</a>	
Size: A4	Number:8	Revision:0.1		
Date: 2016-05-12	Time: 오후 6:54:08	Sheet 8 of 26		
File: <a href="#">CON_UART.SchDoc</a>				

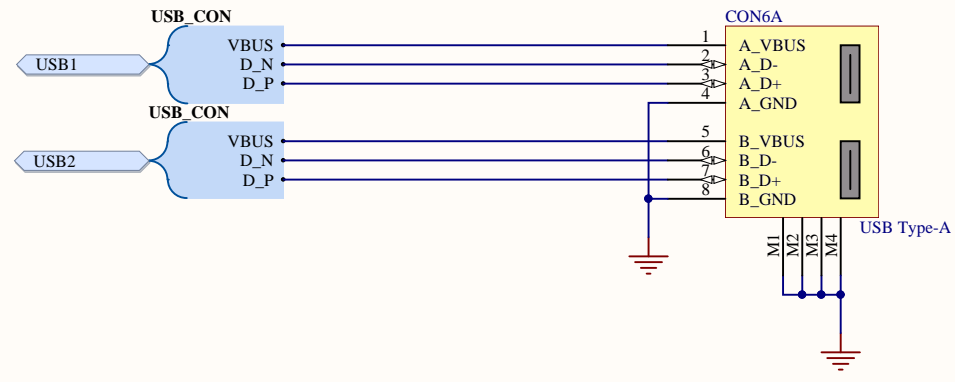
1


2

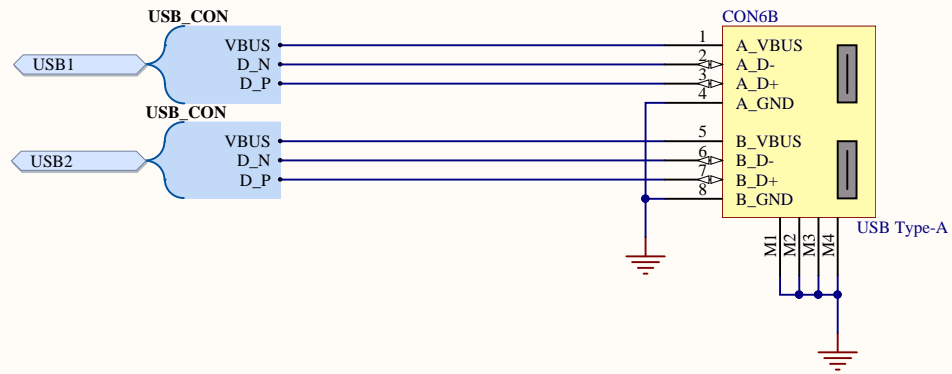
3


4

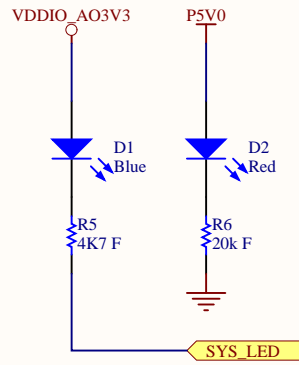





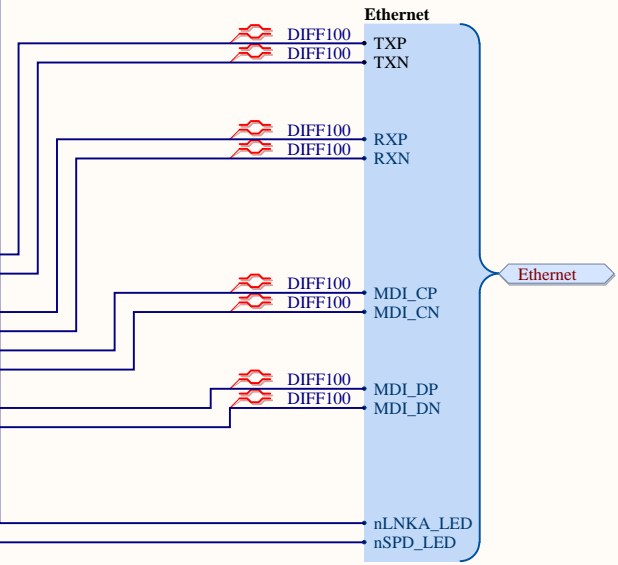
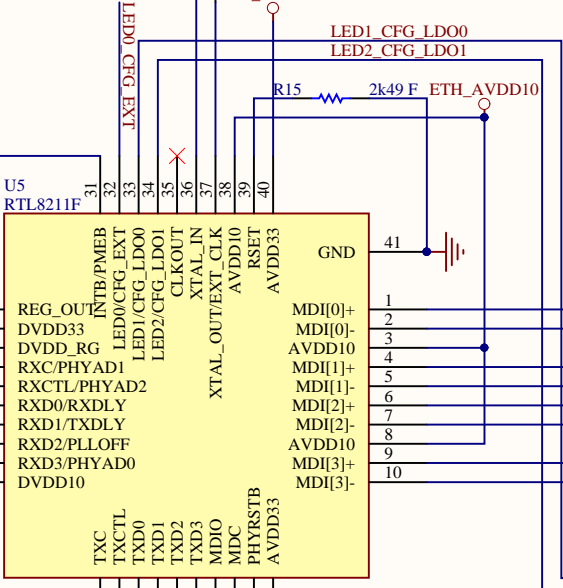
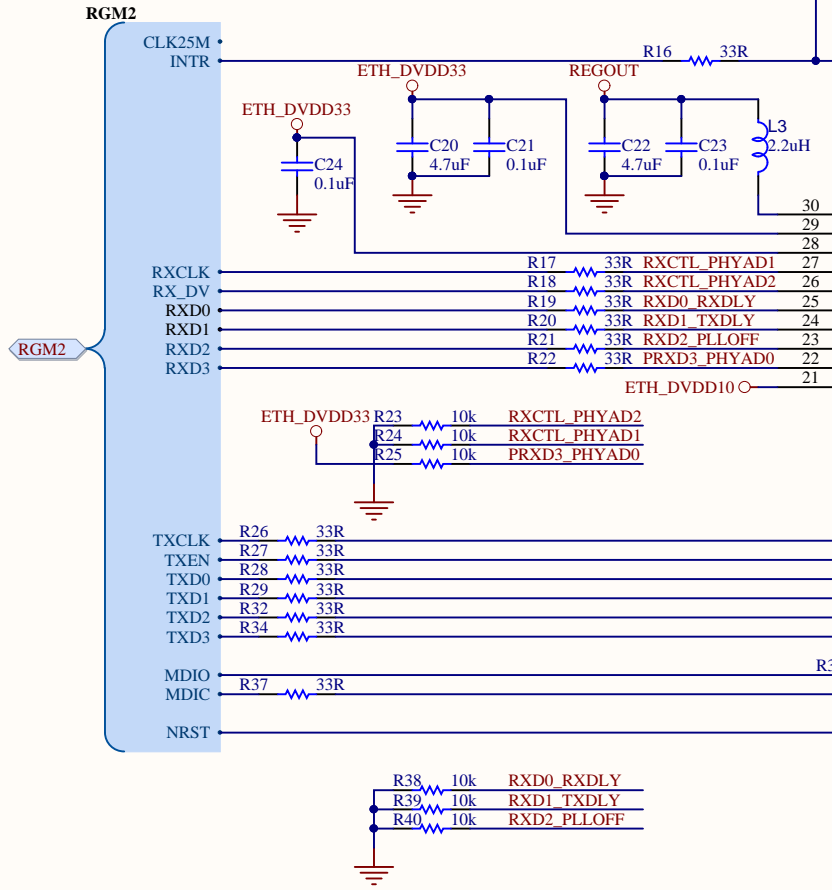
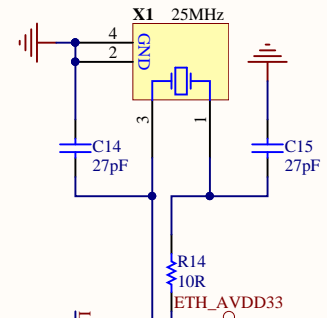
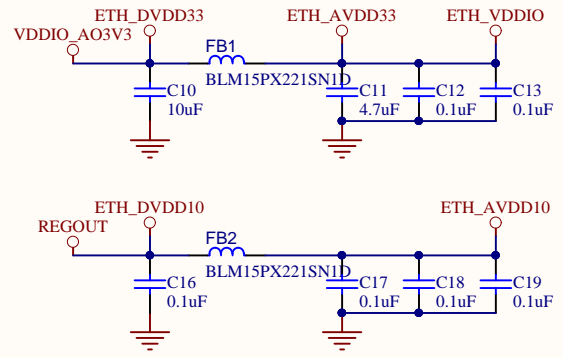
Title <b>USB 2.0 Type A Connector</b>			<i>Hardkernel Co.,LTD.</i> 475-1 Mananro Manangu, Anyang City Gyeonggido South Korea Designed by: <a href="mailto:ruppi.kim@hardkernel.com">ruppi.kim@hardkernel.com</a>	
Size: A4	Number:9	Revision:0.1		
Date: 2016-05-12	Time: 오후 6:54:08	Sheet9 of 26		
File: <a href="#">CON_USB_RA.SchDoc</a>				



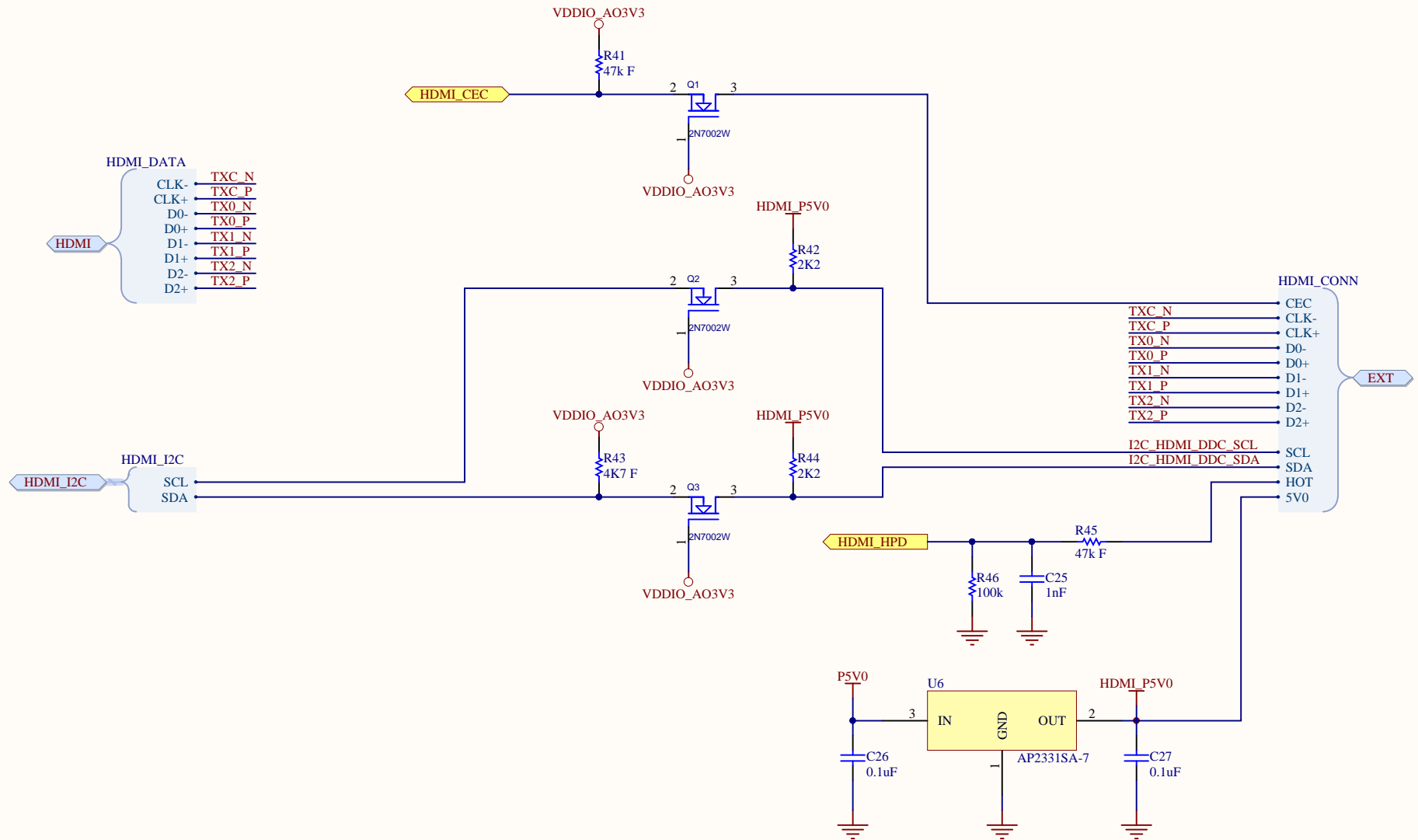
Title <b>USB 2.0 Type A Connector</b>			<i>Hardkernel Co.,LTD.</i> 475-1 Mananro Manangu, Anyang City Gyeonggido South Korea Designed by: <a href="mailto:ruppi.kim@hardkernel.com">ruppi.kim@hardkernel.com</a>	
Size: A4	Number:9	Revision:0.1		
Date: 2016-05-12	Time: 오후 6:54:08	Sheet9 of 26		
File: <a href="#">CON_USB_RA.SchDoc</a>				



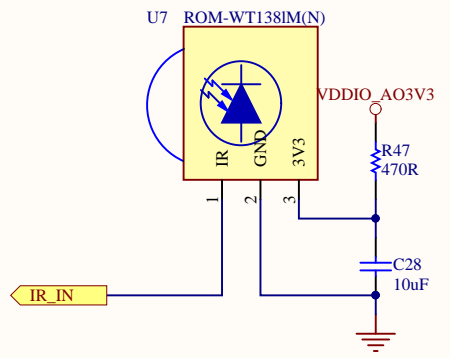
Title <b>LEDs</b>			<i>Hardkernel Co.,LTD.</i> 475-1 Mananro Manangu, Anyang City Gyeonggido South Korea Designed by: <a href="mailto:ruppi.kim@hardkernel.com">ruppi.kim@hardkernel.com</a>	
Size: A4	Number:10	Revision:0.1		
Date: 2016-05-12	Time: 오후 6:54:08 Sheet 10 of 26			
File: C_LEDS.SchDoc				




Title <b>Giga Ethernet PHY RT8211F</b>		Hardkernel Co.,LTD. 1-605 Shinan Metrokhan 1115 Dalandong, Dongangu, Anyang Gyeonggido South Korea	
Size: A4	Number: 11	Revision: 0.3	
Date: 2016-05-12	Time: 오후 6:54:08	Sheet 11 of 26	
File: GIGA_ETHERNET_PHY_RT8211F.SchDoc		Designed by: ruppi.kim@hardkernel.com	



Title <b>HDMI EDID &amp; ETC</b>			Hardkernel Co.,LTD. 475-1 Mananro Manangu, Anyang City Gyeonggido South Korea	
Size: A4	Number:12	Revision:0.1		
Date: 2016-05-12	Time: 오후 6:54:08	Sheet 12 of 26	Designed by: ruppi.kim@hardkernel.com	
File: HDMI_I2C.SchDoc				

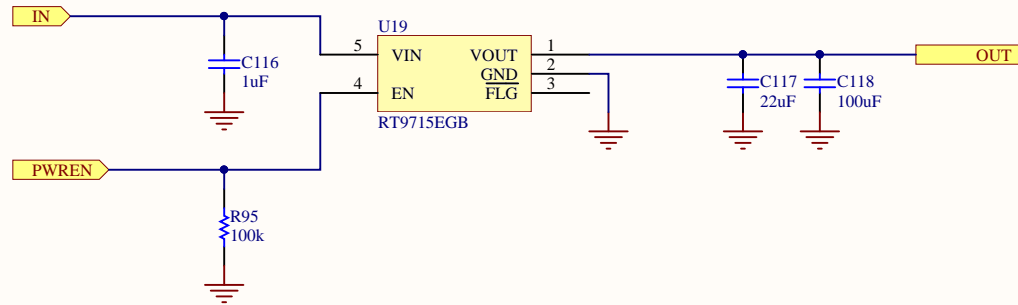



Title <b>Remote Control Receiver</b>			<i>Hardkernel Co.,LTD.</i> 475-1 Mananro Manangu, Anyang City Gyeongido South Korea Designed by: <a href="mailto:ruppi.kim@hardkernel.com">ruppi.kim@hardkernel.com</a>	
Size: A4	Number:13	Revision:0.1		
Date: 2016-05-12	Time: 오후 6:54:09	Sheet 13 of 26		
File: IR.SchDoc				

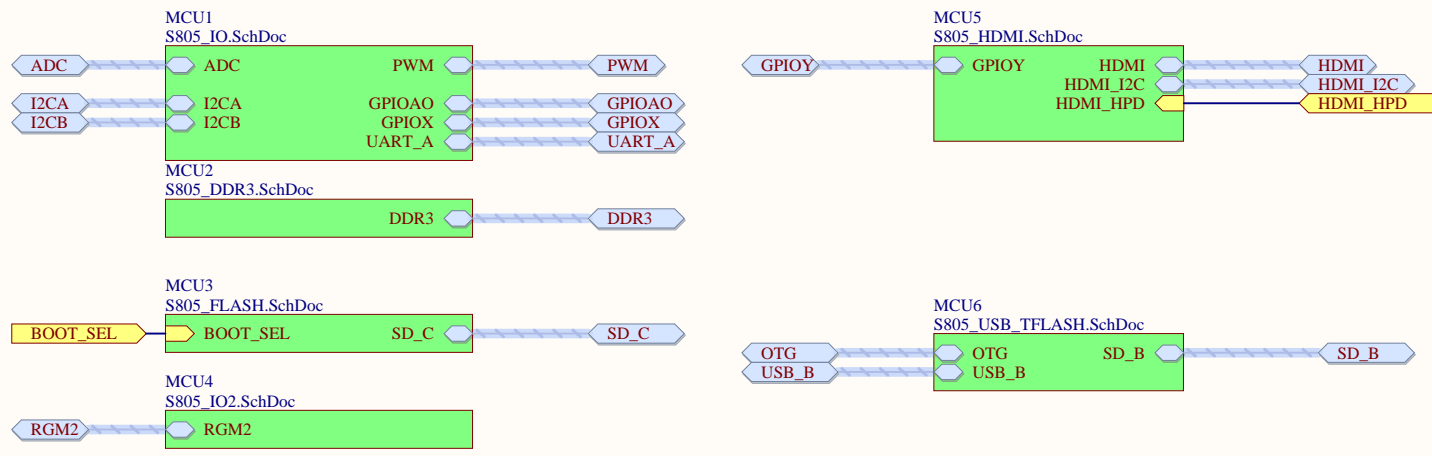





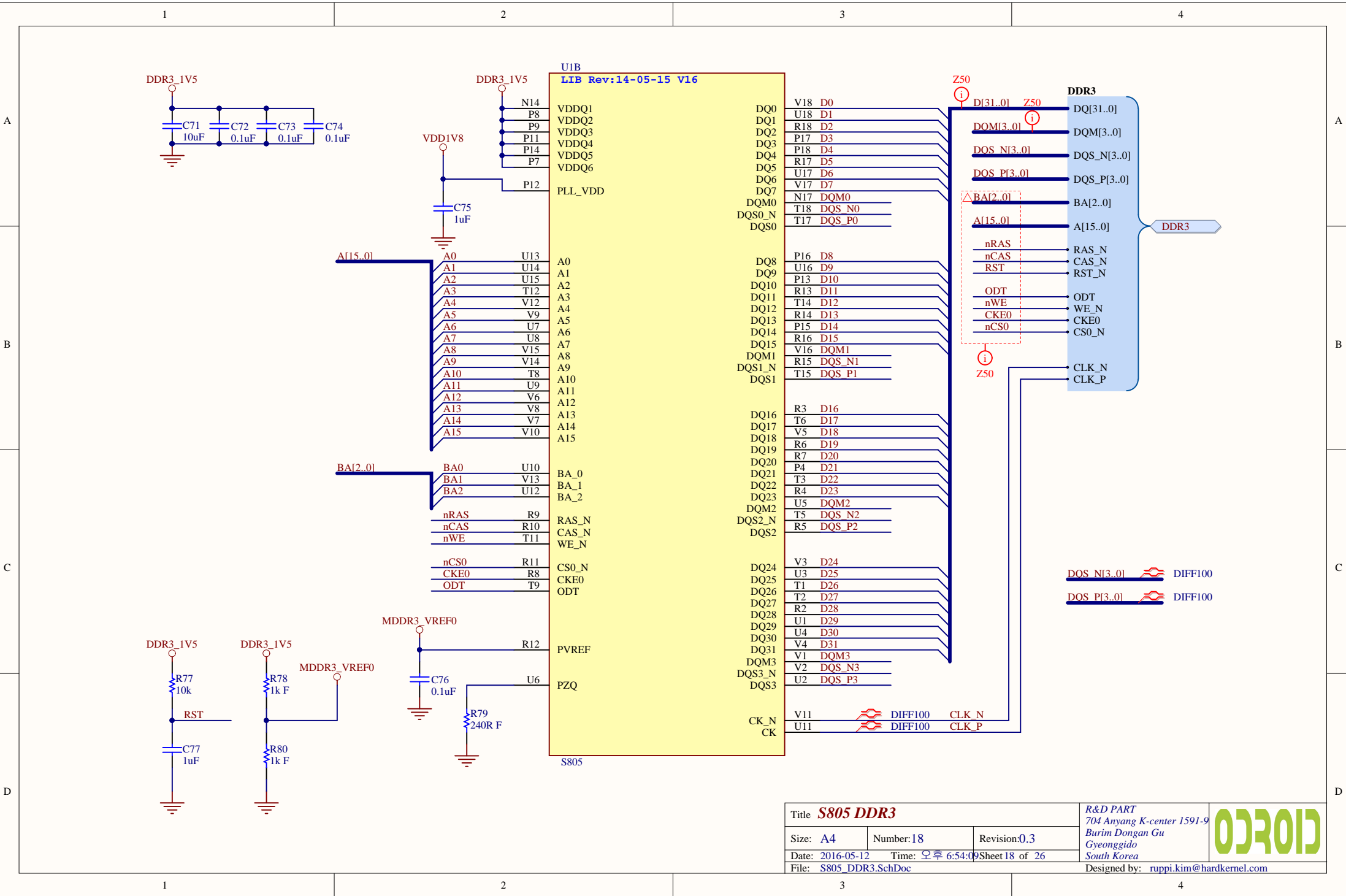




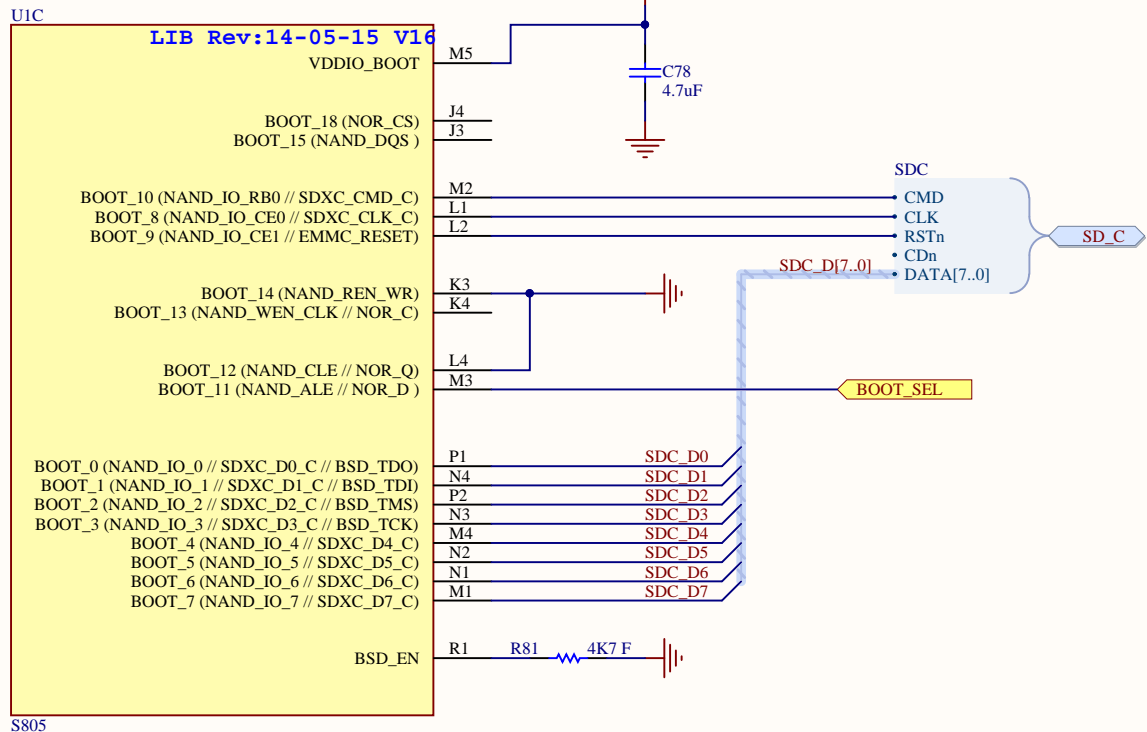
Title <b>USB HOST Power Switch</b>			Hardkernel Co.,LTD. 475-1 Mananro Manangu, Anyang City Gyeongido South Korea Designed by: <a href="mailto:ruppi.kim@hardkernel.com">ruppi.kim@hardkernel.com</a>	
Size: A4	Number:16	Revision:0.1		
Date: 2016-05-12	Time: 오후 6:54:09	Sheet 16 of 26		
File: <a href="#">RT9715EGB.SchDoc</a>				



Title <b>S805</b>			Hardkernel Co.,LTD. 475-1 Mananro Manangu, Anyang City Gyeongido South Korea Designed by: <a href="mailto:ruppi.kim@hardkernel.com">ruppi.kim@hardkernel.com</a>	
Size: A4	Number: 17	Revision: 0.1		
Date: 2016-05-12	Time: 오후 6:54:09	Sheet 17 of 26		
File: S805.SchDoc				



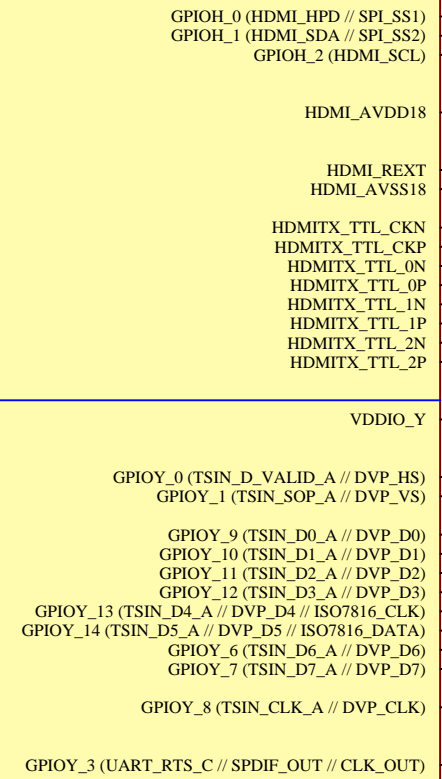
Title <b>S805 DDR3</b>			R&D PART 704 Anyang K-center 1591-9	
Size: A4	Number: 18	Revision: 0.3	Burim Dongan Gu	
Date: 2016-05-12	Time: 오후 6:54:09	Sheet 18 of 26	Gyeongjido	
File: S805_DDR3.SchDoc			South Korea	
Designed by: ruppi.kim@hardkernel.com				



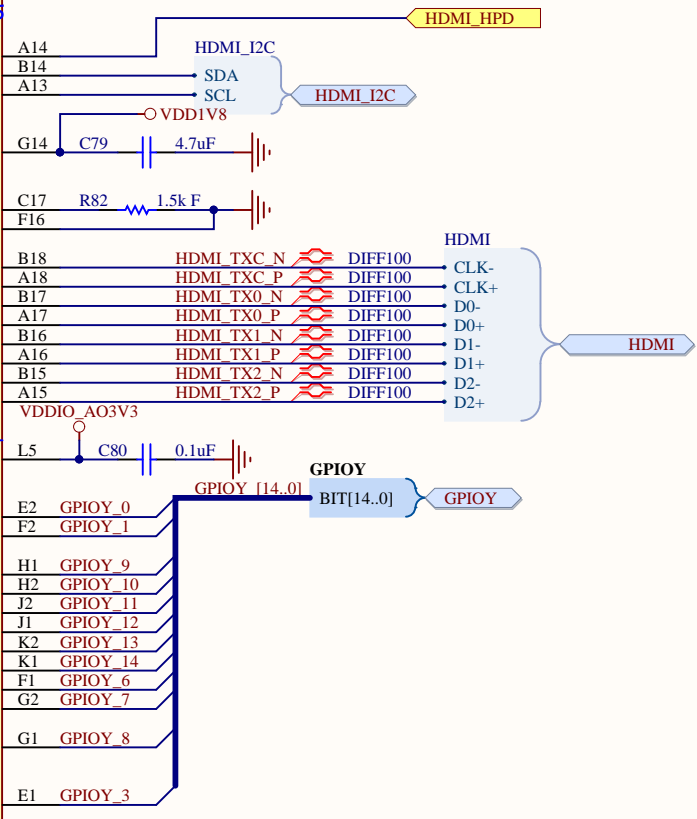
Title <b>S805 FLASH</b>			Hardkernel Co.,LTD. 475-1 Mananro Manangu, Anyang City Gyeonggido South Korea	
Size: A4	Number:19	Revision:0.1		
Date: 2016-05-12	Time: 오후 6:54:09	Sheet 19 of 26	Designed by: ruppi kim@hardkernel.com	
File: S805_FLASH.SchDoc				

UIF

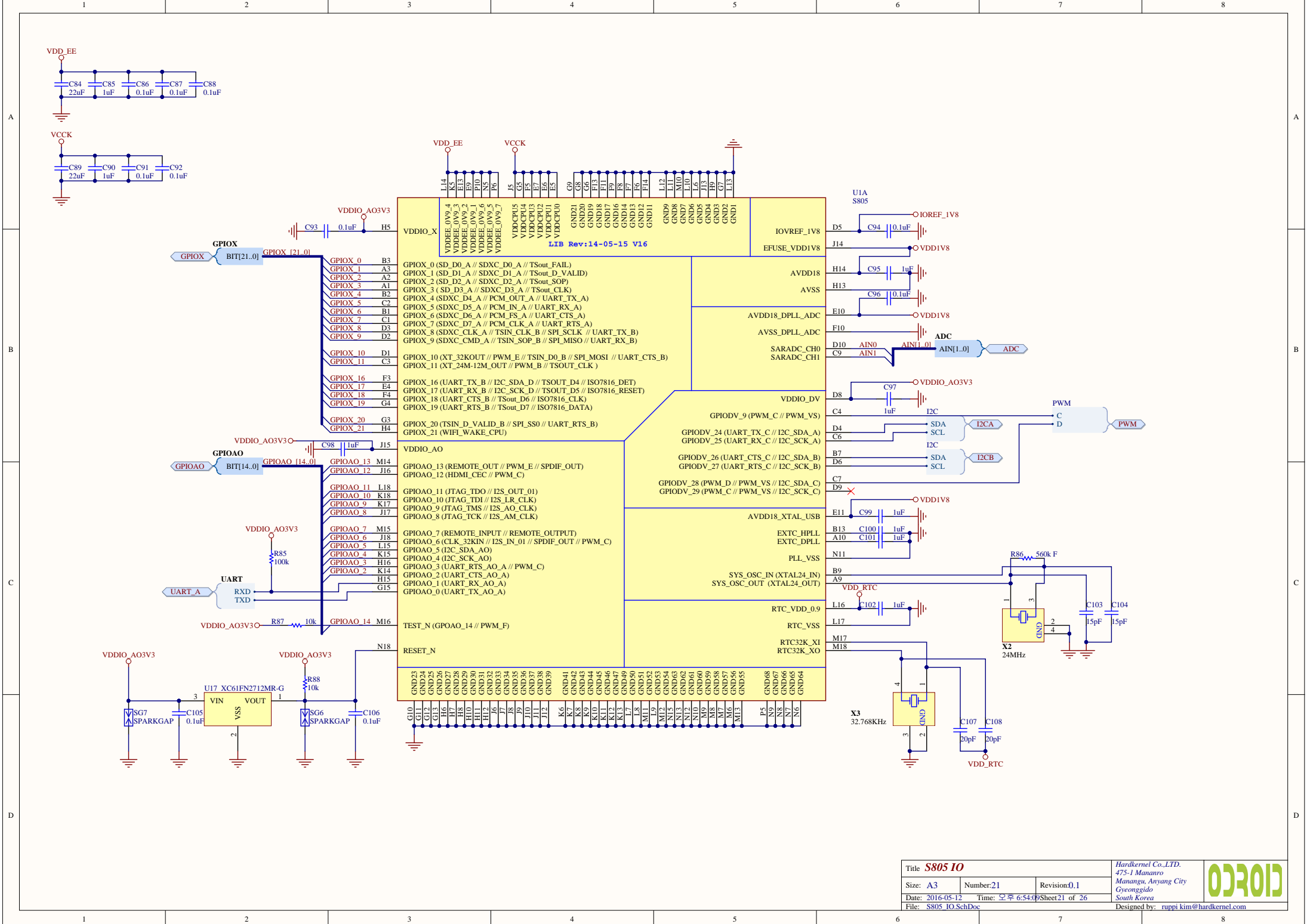
LIB Rev:14-05-15 V16

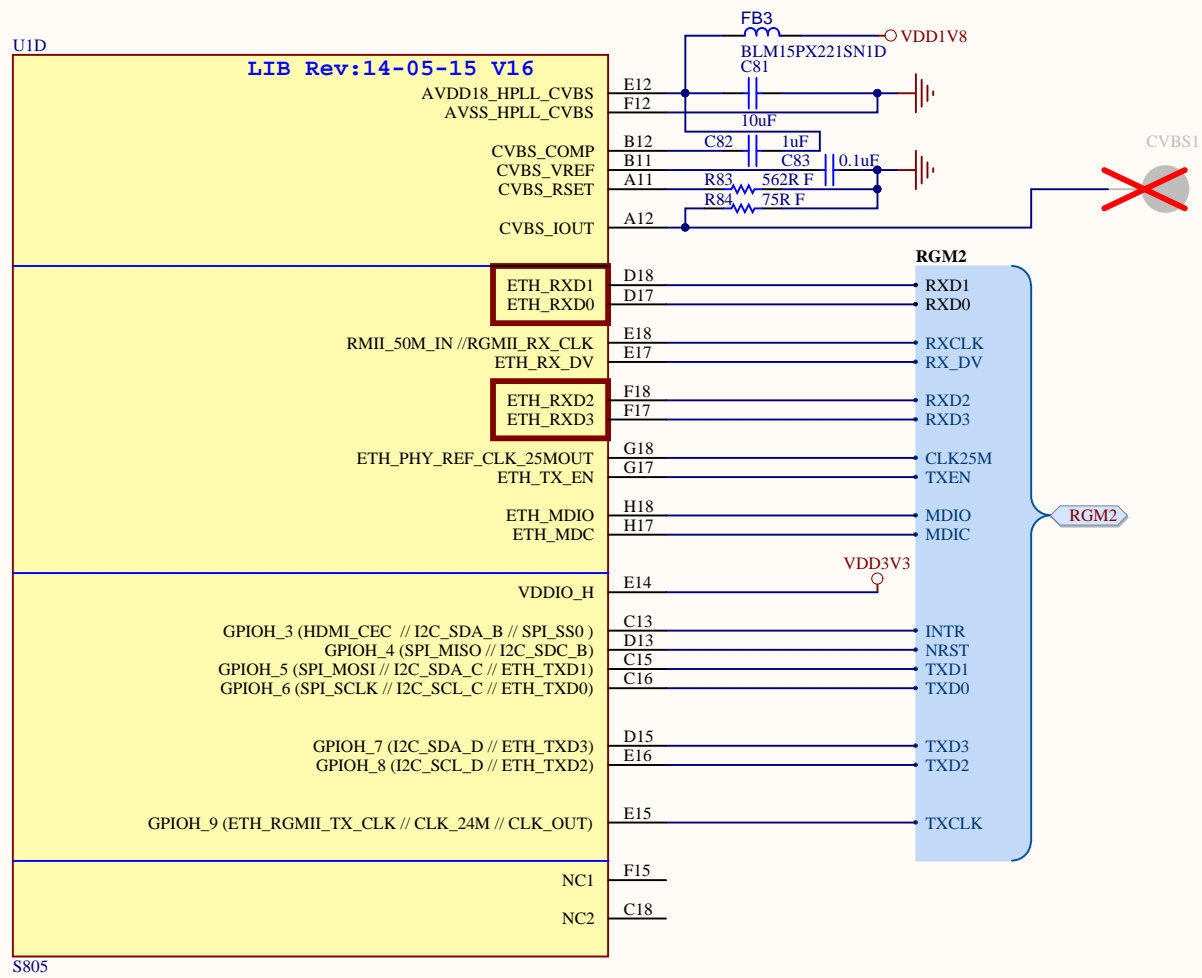


S805



Title <b>S805 HDMI</b>			Hardkernel Co.,LTD. 475-1 Mananro Manangu, Anyang City Gyeonggido South Korea	
Size: A4	Number:20	Revision:0.1		
Date: 2016-05-12	Time: 오후 6:54:09	Sheet 20 of 26	Designed by: ruppi kim@hardkernel.com	
File: S805_HDMI.SchDoc				

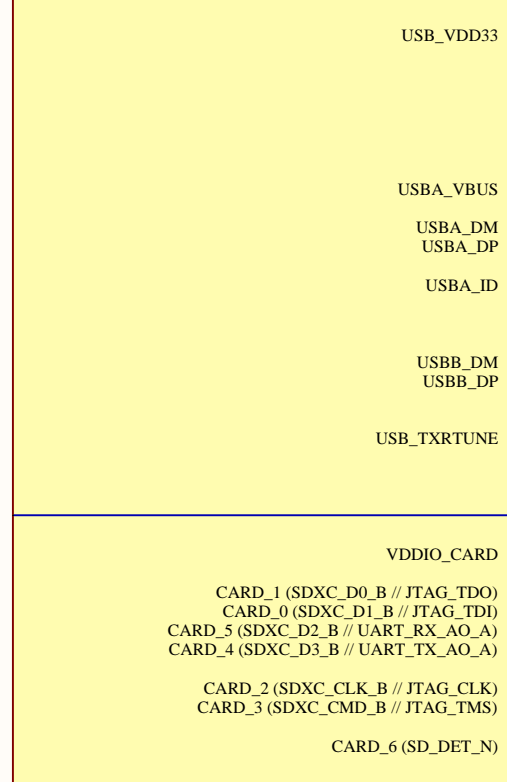




Title <b>S805 IO2</b>			Hardkernel Co.,LTD. 475-1 Mananro Manangu, Anyang City Gyeonggido South Korea	
Size: A4	Number:22	Revision:0.1		
Date: 2016-05-12	Time: 오후 6:54:10	Sheet 22 of 26	Designed by: ruppi kim@hardkernel.com	
File: S805_IO2.SchDoc				

UIE

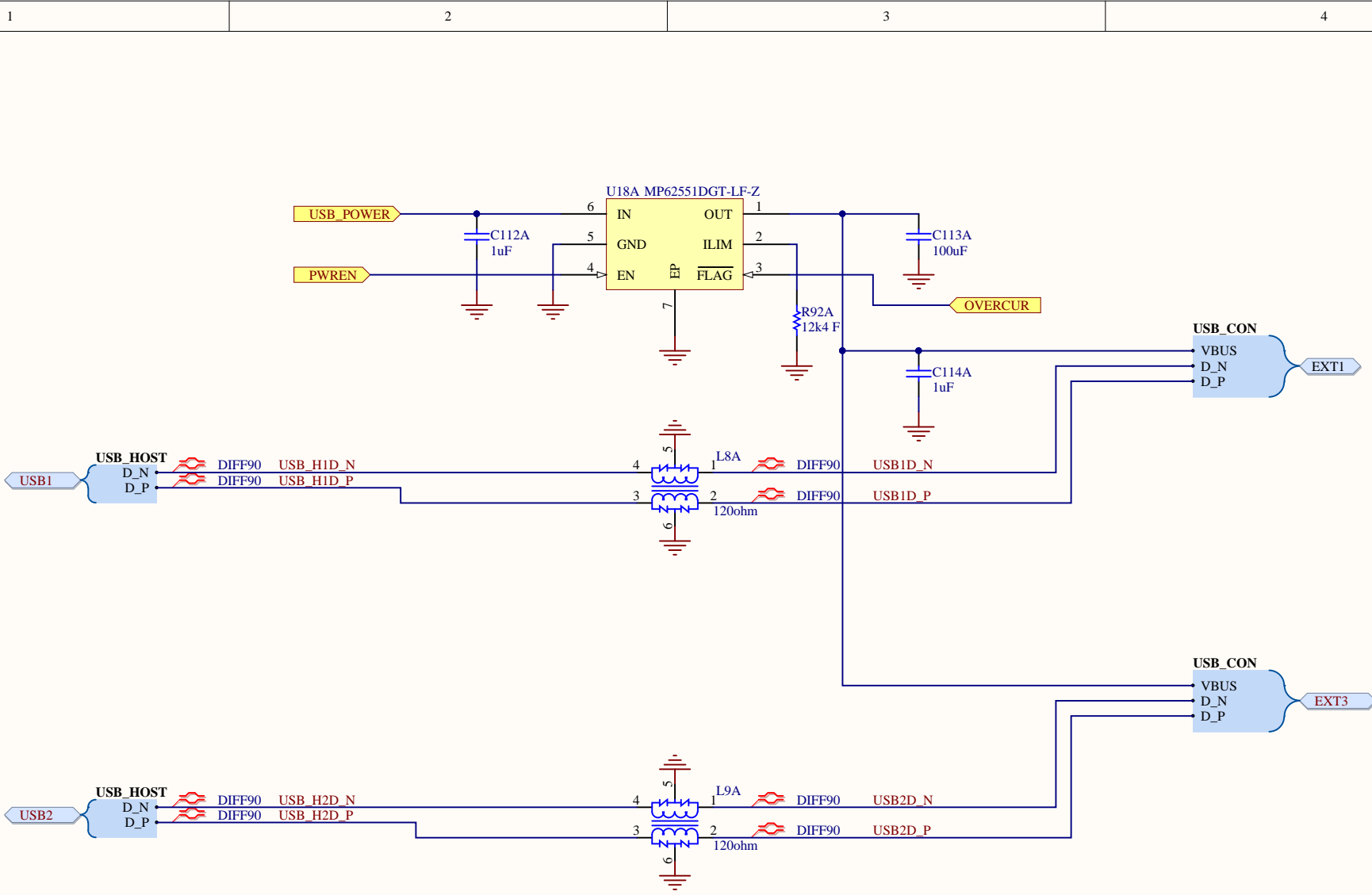
LIB Rev:14-05-15 V16



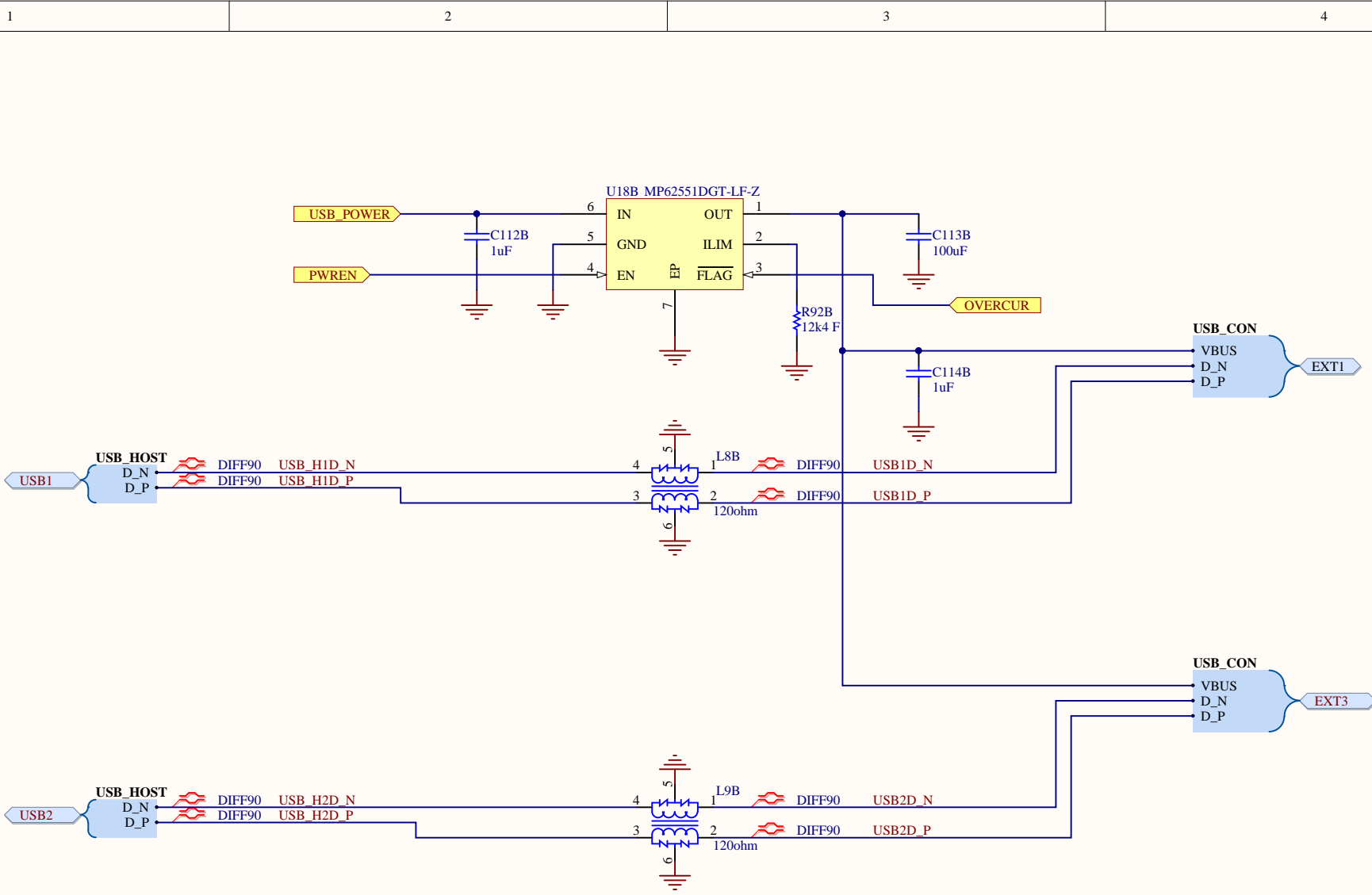
S805

Title <b>S805 USB2 SDB</b>			Hardkernel Co.,LTD. 475-1 Mananro Manangu, Anyang City Gyeonggido South Korea	
Size: A4	Number:23	Revision:0.1		
Date: 2016-05-12	Time: 오후 6:54:10		Sheet 23 of 26	
File: S805_USB_TFLASH.SchDoc			Designed by: ruppi.kim@hardkernel.com	



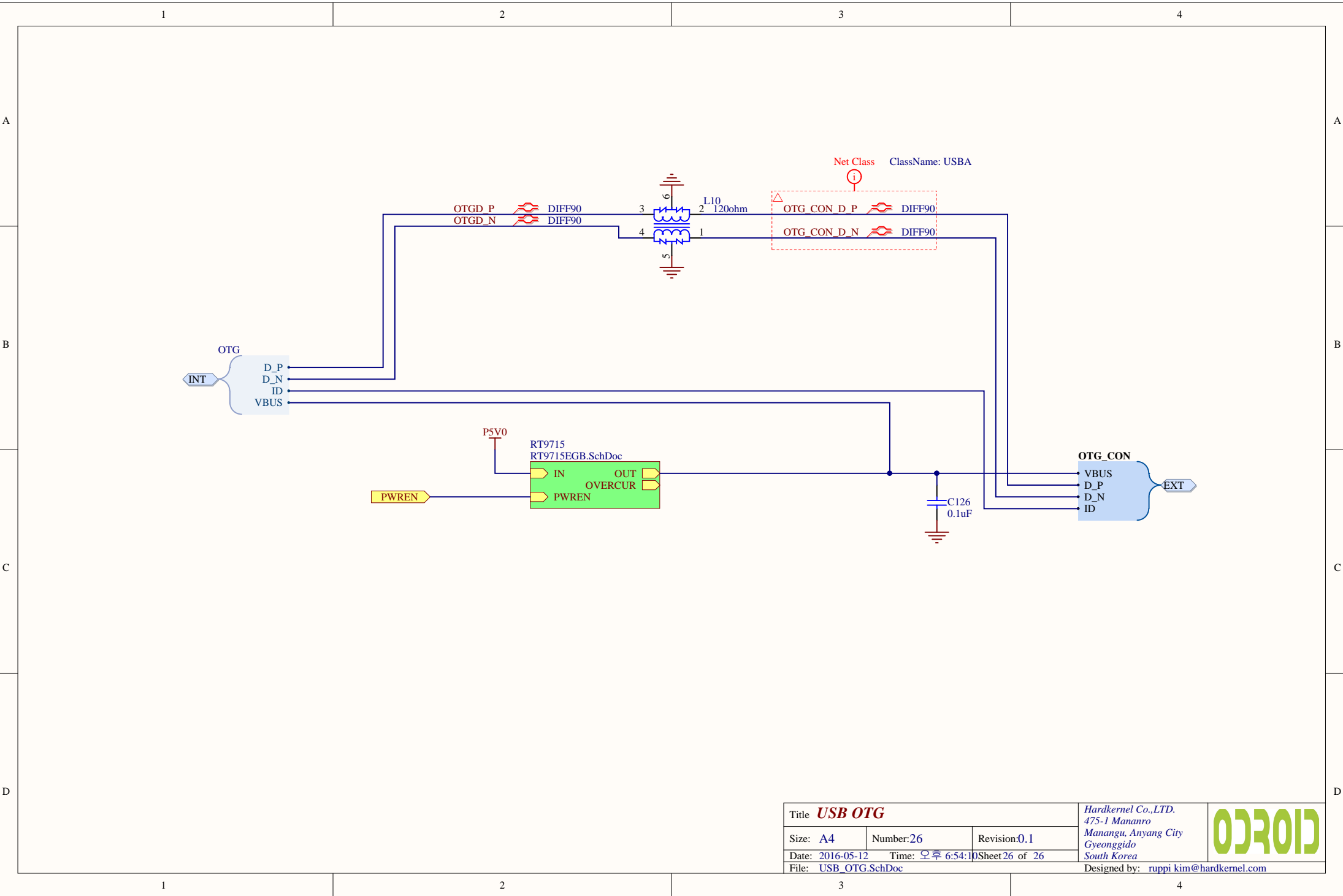


Title <b>USB HOST POWER</b>			Hardkernel Co.,LTD. 475-1 Mananro Manangu, Anyang City Gyeonggido South Korea	
Size: A4	Number:24	Revision:0.1		
Date: 2016-05-12	Time: 오후 6:54:10	Sheet 24 of 26	Designed by: ruppi kim@hardkernel.com	
File: USB_HOST_PWR_SW.SchDoc				



Title <b>USB HOST POWER</b>			Hardkernel Co.,LTD. 475-1 Mananro Manangu, Anyang City Gyeonggido South Korea	
Size: A4	Number:24	Revision:0.1		
Date: 2016-05-12	Time: 오후 6:54:10	Sheet 24 of 26	Designed by: ruppi kim@hardkernel.com	
File: USB_HOST_PWR_SW.SchDoc				





Title <b>USB OTG</b>			Hardkernel Co.,LTD. 475-1 Mananro Manangu, Anyang City Gyeonggido South Korea Designed by: <a href="mailto:ruppi.kim@hardkernel.com">ruppi.kim@hardkernel.com</a>
Size: A4	Number:26	Revision:0.1	
Date: 2016-05-12	Time: 오후 6:54:10	Sheet 26 of 26	
File: <a href="#">USB_OTG.SchDoc</a>			

