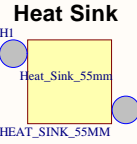
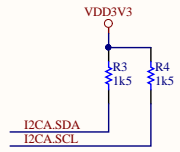
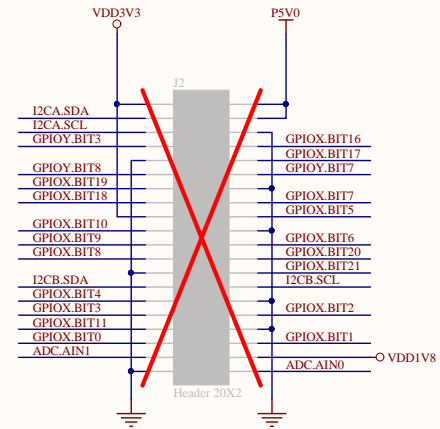
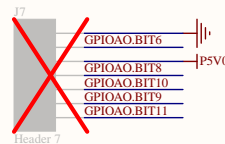


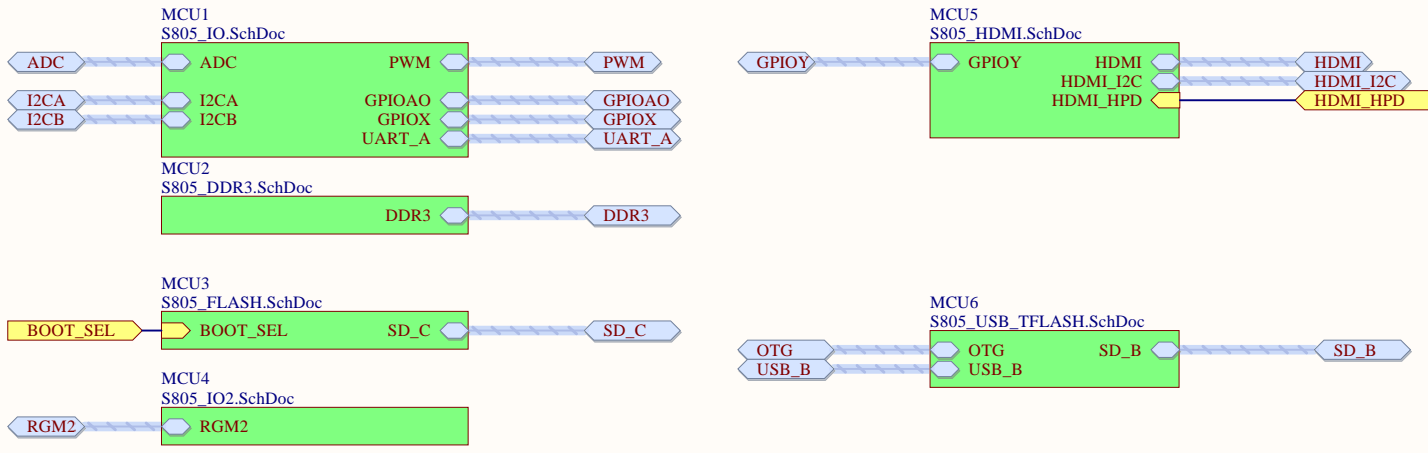
**Mounting Holes**

- MH1  
MOUNTING HOLE 3MM
- MH2  
MOUNTING HOLE 3MM
- MH3  
MOUNTING HOLE 3MM
- MH4  
MOUNTING HOLE 3MM

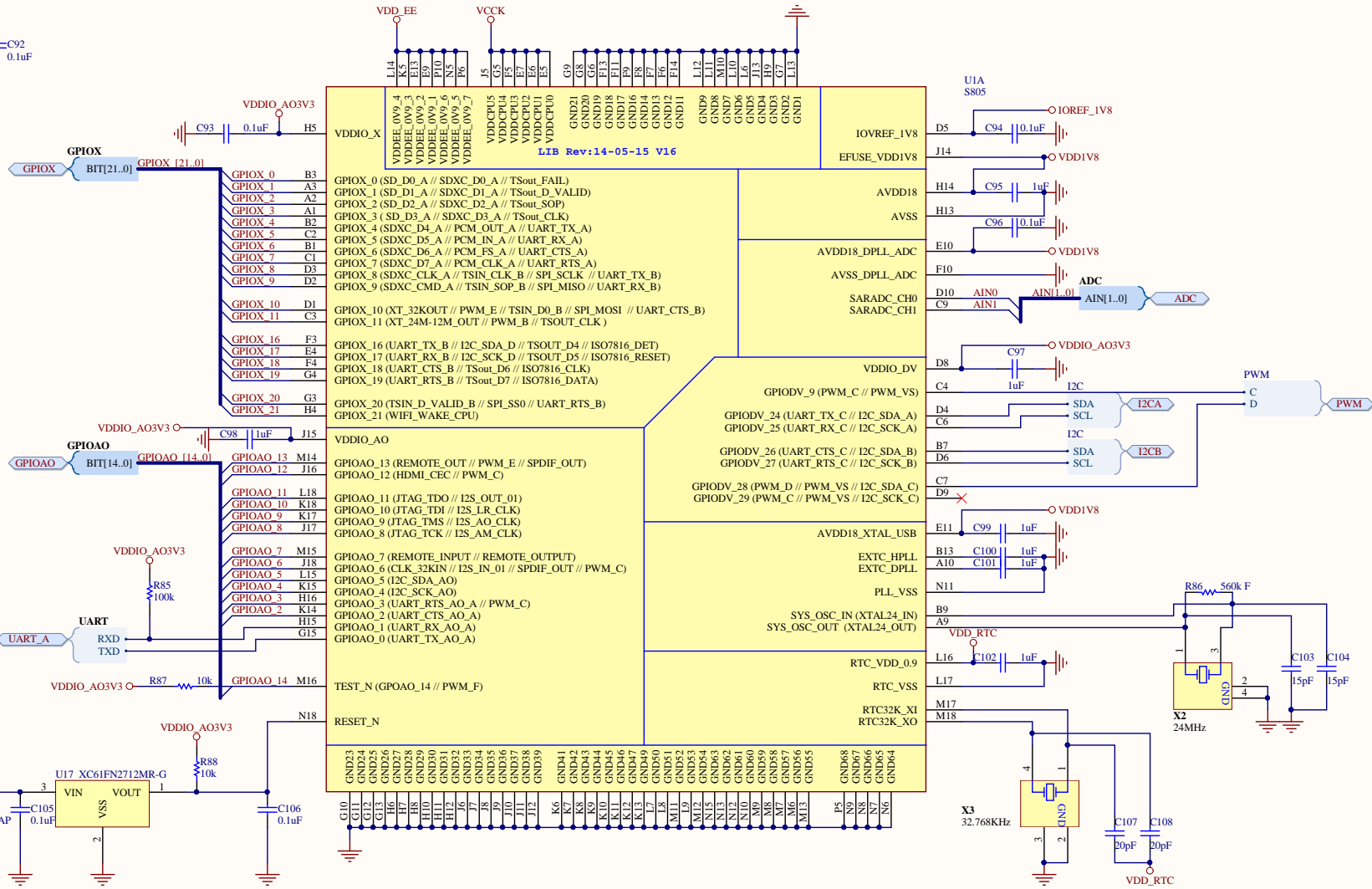
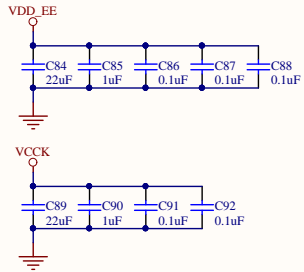


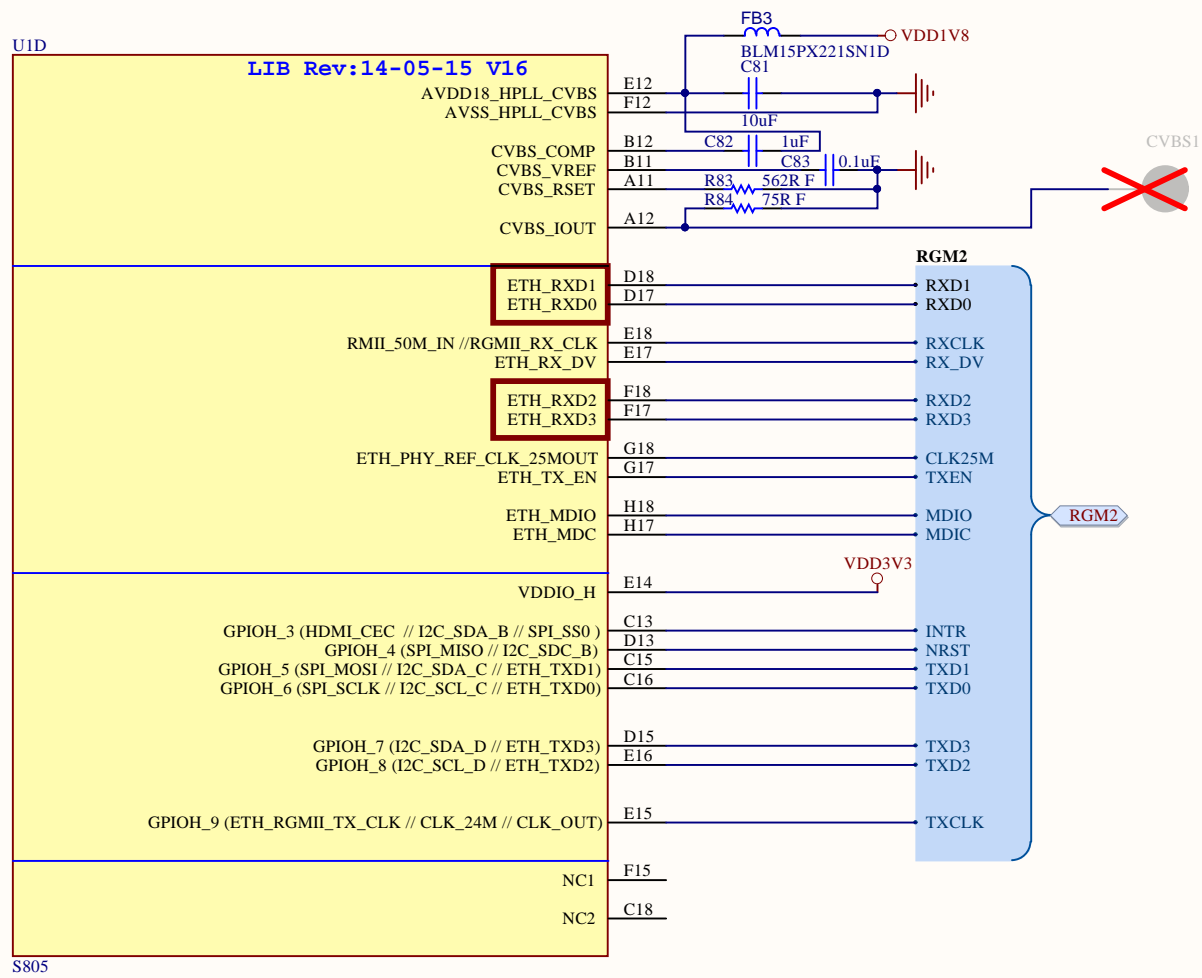
GPIOY.BIT1	GPIOY.BIT0	Revision
0	0	0.1
0	1	0.2
1	0	0.3
1	1	0.4




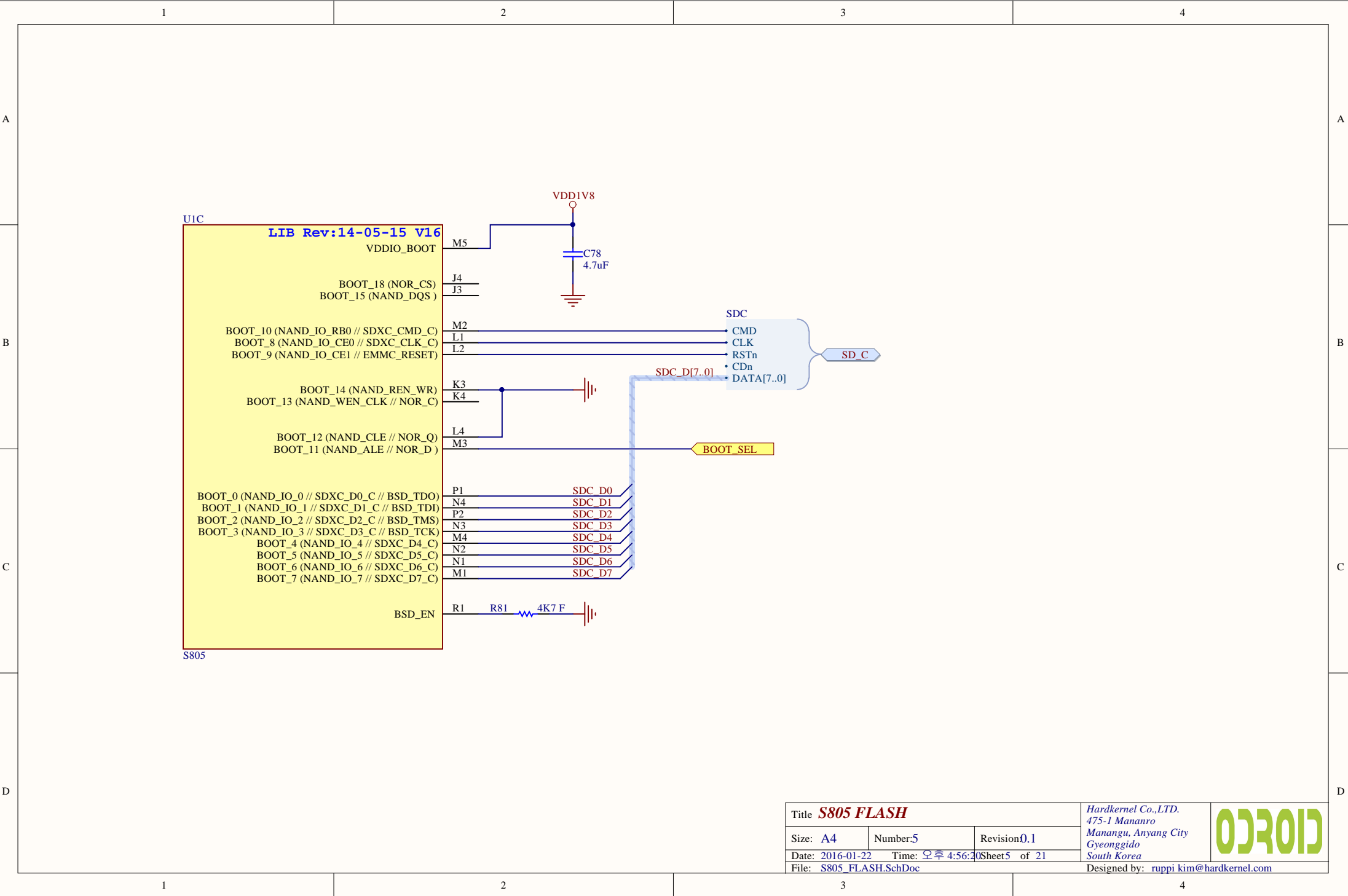


Title <b>S805</b>			Hardkernel Co.,LTD. 475-1 Mananro Manangu, Anyang City Gyeonggido South Korea		
Size: A4	Number:2	Revision:0.1			
Date: 2016-01-22	Time: 오후 4:56:20		Sheet 2 of 21	Designed by: <a href="mailto:ruppi.kim@hardkernel.com">ruppi.kim@hardkernel.com</a>	
File: S805.SchDoc					





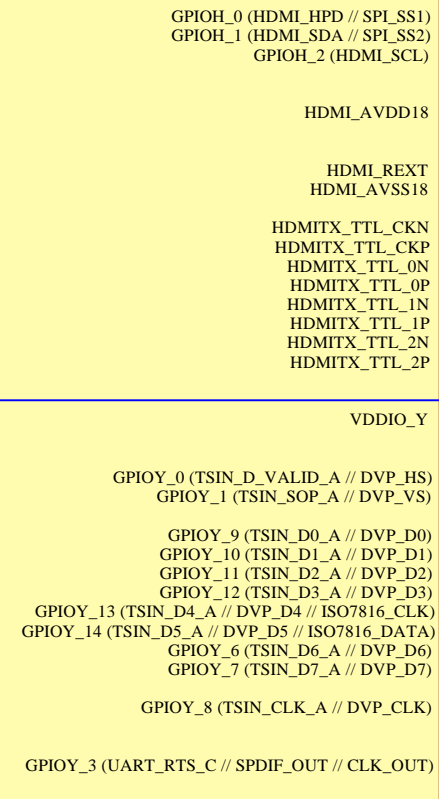
Title <b>S805 IO2</b>			Hardkernel Co.,LTD. 475-1 Mananro Manangu, Anyang City Gyeonggido South Korea Designed by: <a href="mailto:ruppi.kim@hardkernel.com">ruppi.kim@hardkernel.com</a>	
Size: A4	Number:4	Revision:0.1		
Date: 2016-01-22	Time: 오후 4:56:20 Sheet4 of 21			
File: S805_IO2.SchDoc				



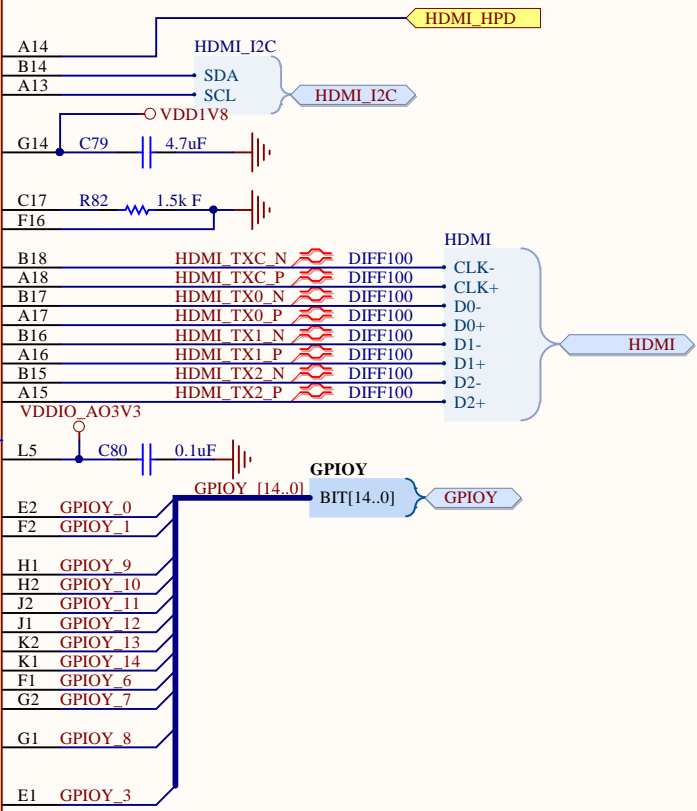
Title <b>S805 FLASH</b>		Hardkernel Co.,LTD. 475-1 Mananro		
Size: A4	Number:5	Revision0.1		
Date: 2016-01-22	Time: 오후 4:56:20	Sheet5 of 21		Manangu, Anyang City Gyeonggido South Korea
File: S805_FLASH.SchDoc			Designed by: ruppi kim@hardkernel.com	

UIF

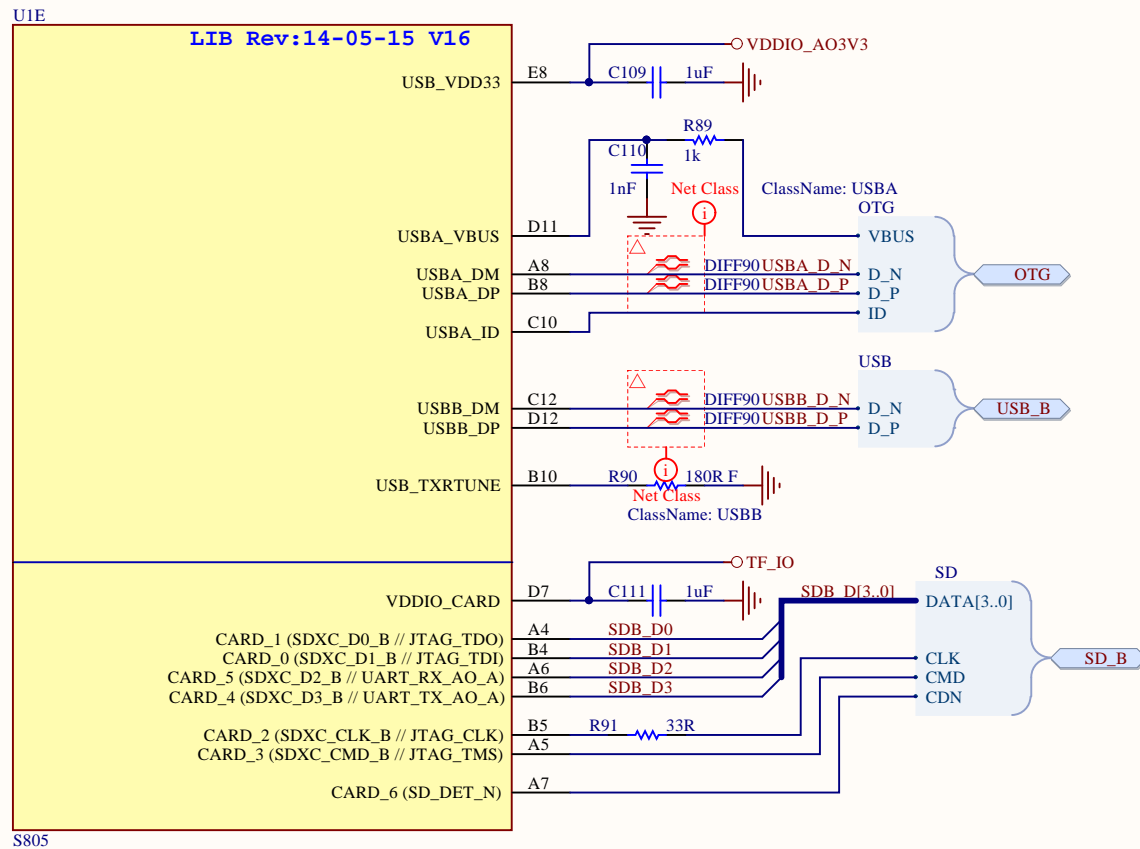
**LIB Rev:14-05-15 V16**



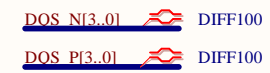
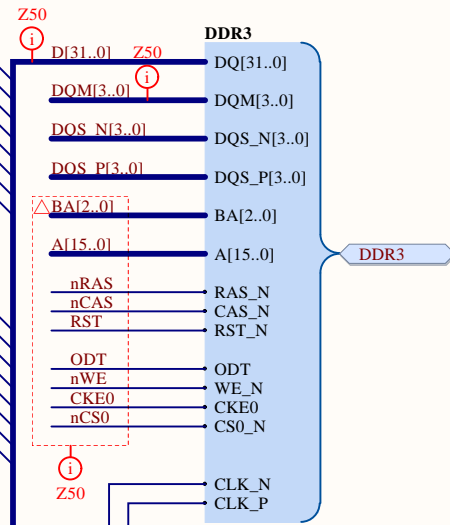
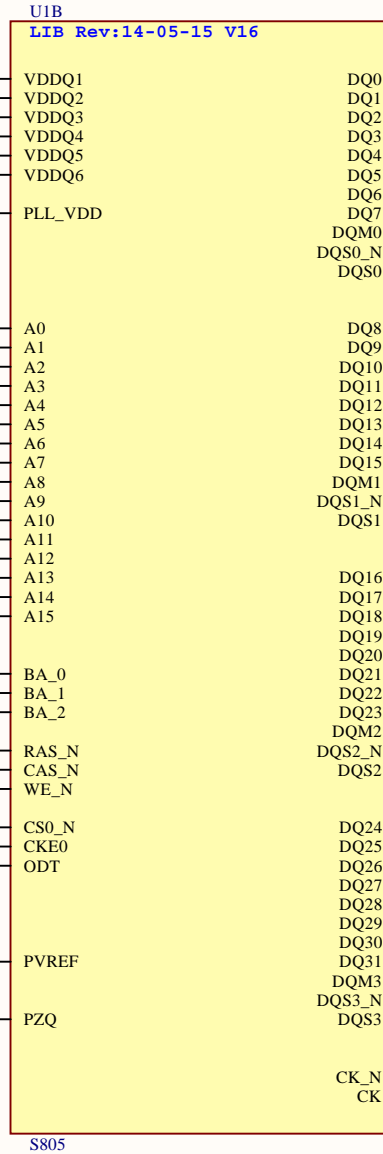
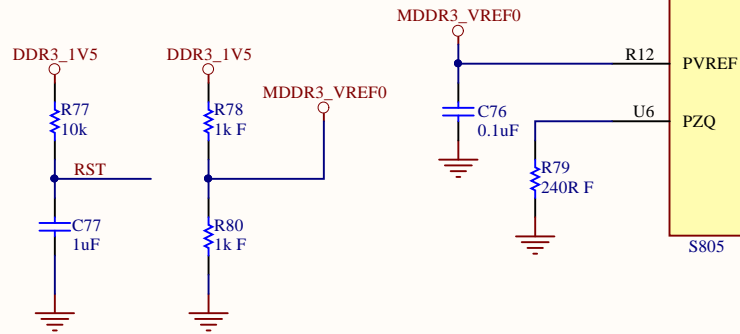
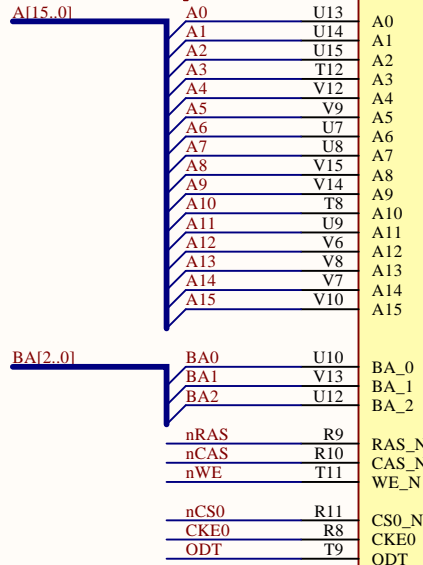
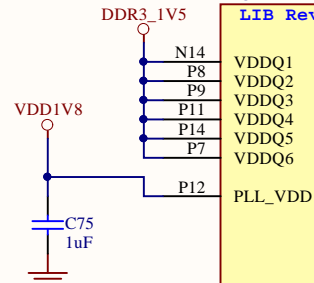
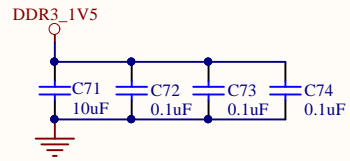
S805



Title <b>S805 HDMI</b>			Hardkernel Co.,LTD. 475-1 Mananro Manangu, Anyang City Gyeonggido South Korea	
Size: A4	Number:6	Revision:0.1		
Date: 2016-01-22	Time: 오후 4:56:20	Sheet6 of 21		
File: S805_HDMI.SchDoc			Designed by: ruppi kim@hardkernel.com	

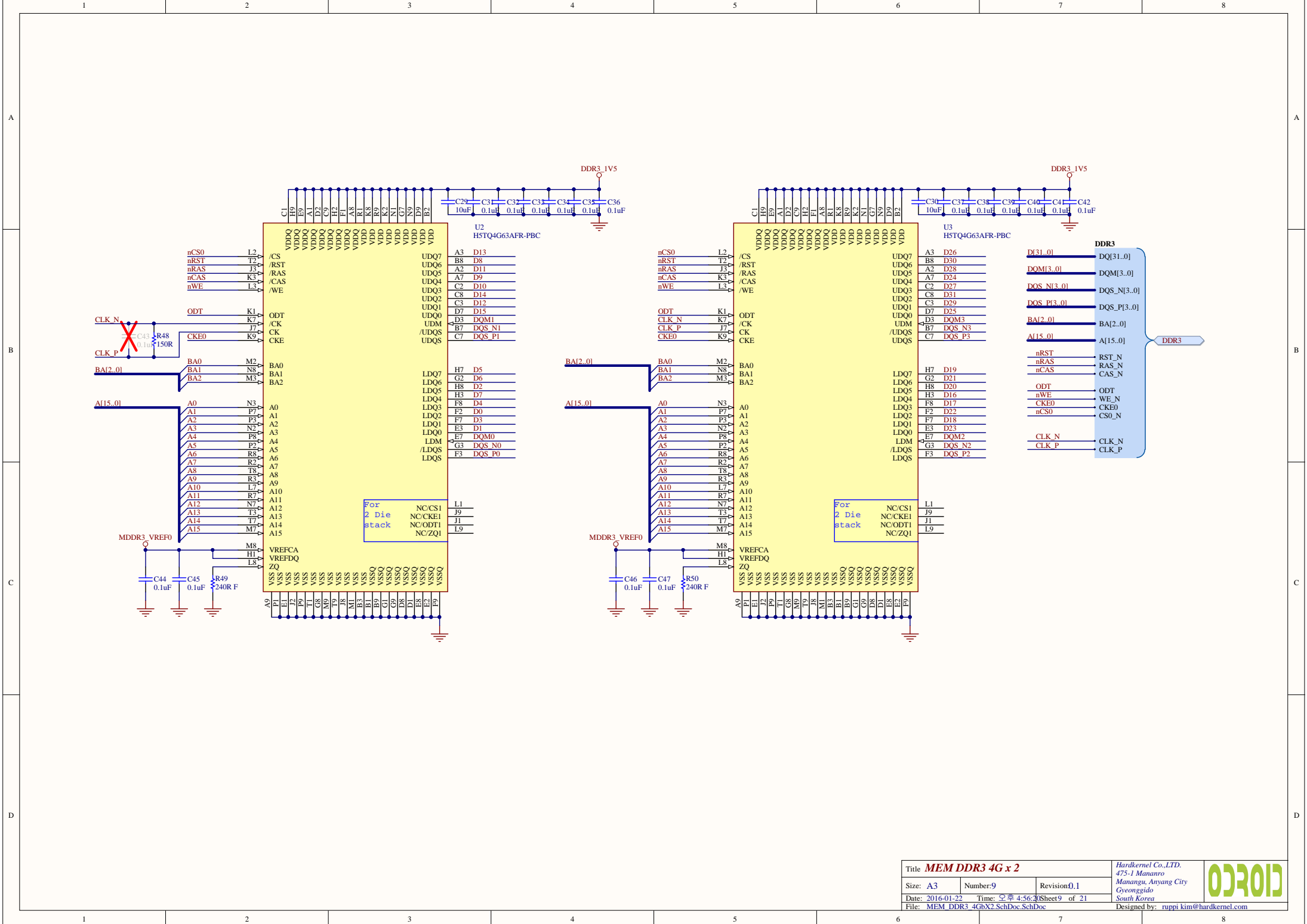


Title <b>S805 USB2 SDB</b>			Hardkernel Co.,LTD. 475-1 Mananro Manangu, Anyang City Gyeonggido South Korea	
Size: A4	Number:7	Revision:0.1		
Date: 2016-01-22	Time: 오후 4:56:20	Sheet 7 of 21		
File: S805_USB_TFLASH.SchDoc			Designed by: ruppi kim@hardkernel.com	



Title <b>S805 DDR3</b>			R&D PART 704 Anyang K-center 1591-9 Burim Dongan Gu Gyeonggido South Korea	
Size: A4	Number:8	Revision:0.3	Designed by: ruppi.kim@hardkernel.com	
Date: 2016-01-22	Time: 오후 4:56:20	Sheet:8 of 21		
File: S805_DDR3.SchDoc				





1

2

3

4

A

A

B

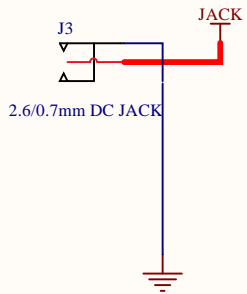
B


C

C

D

D



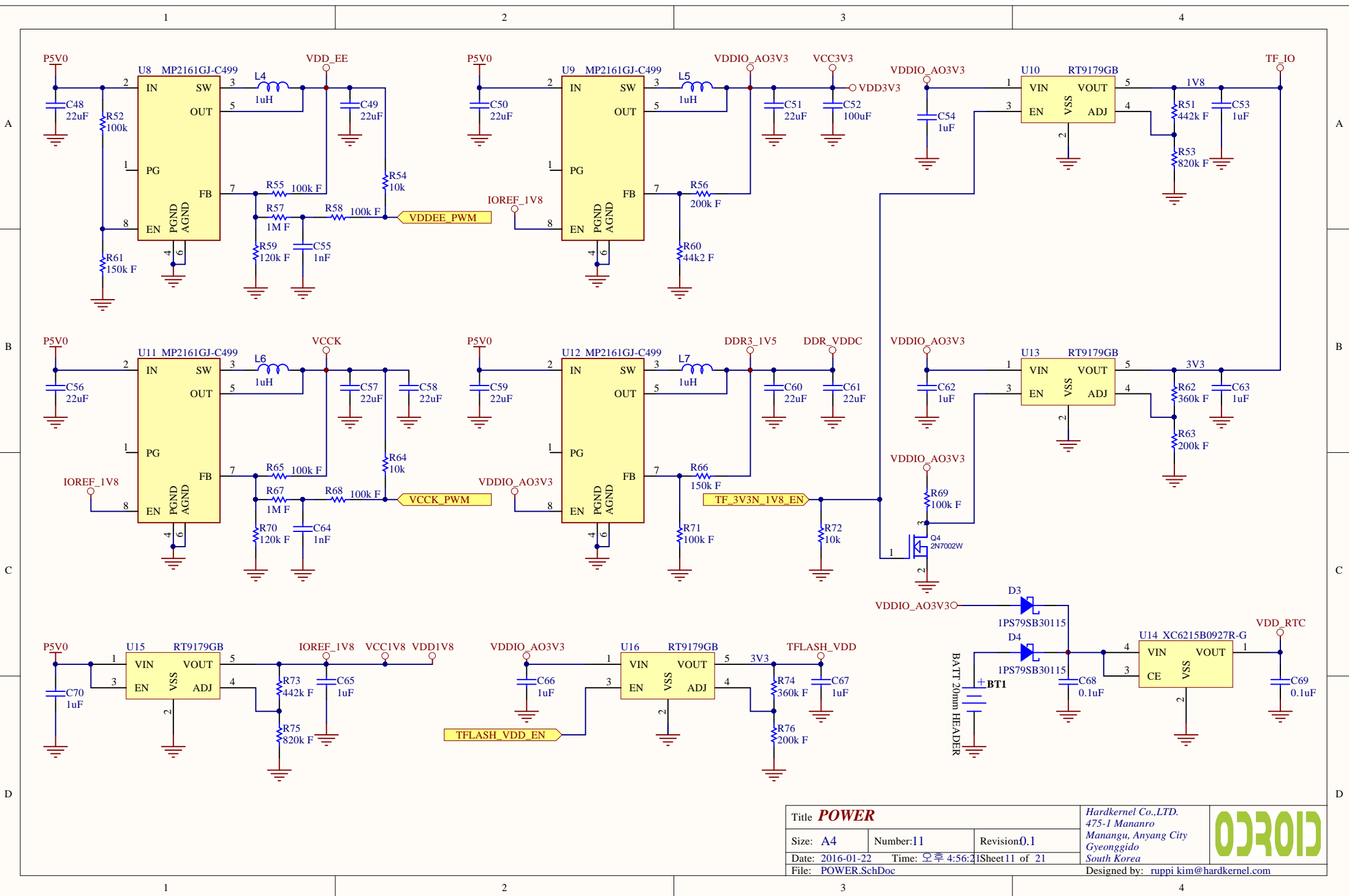
Title <b>DC Jack</b>			Hardkernel Co.,LTD. 475-1 Mananro Manangu, Anyang City Gyeonggido South Korea 
Size: A4	Number:10	Revision:0.1	
Date: 2016-01-22	Time: 오후 4:56:21 Sheet 10 of 21		
File: CON_DCJACK.SchDoc			
			Designed by: <a href="mailto:ruppi.kim@hardkernel.com">ruppi.kim@hardkernel.com</a>

1

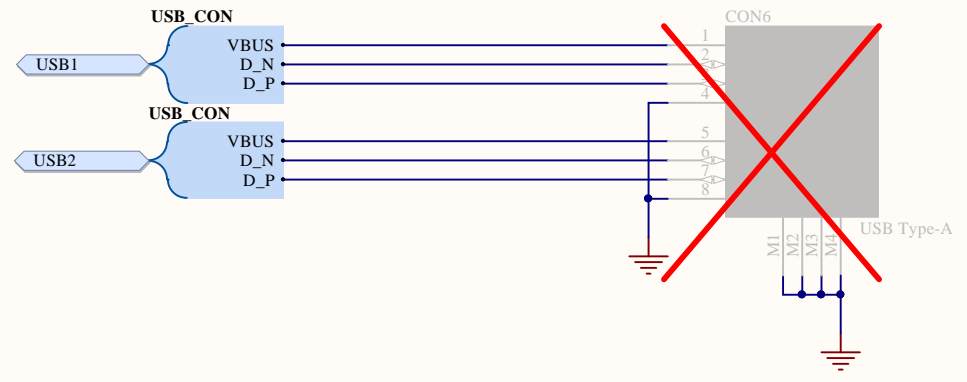
2


3

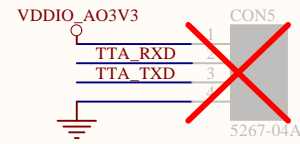
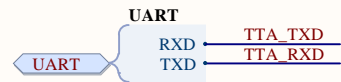
4




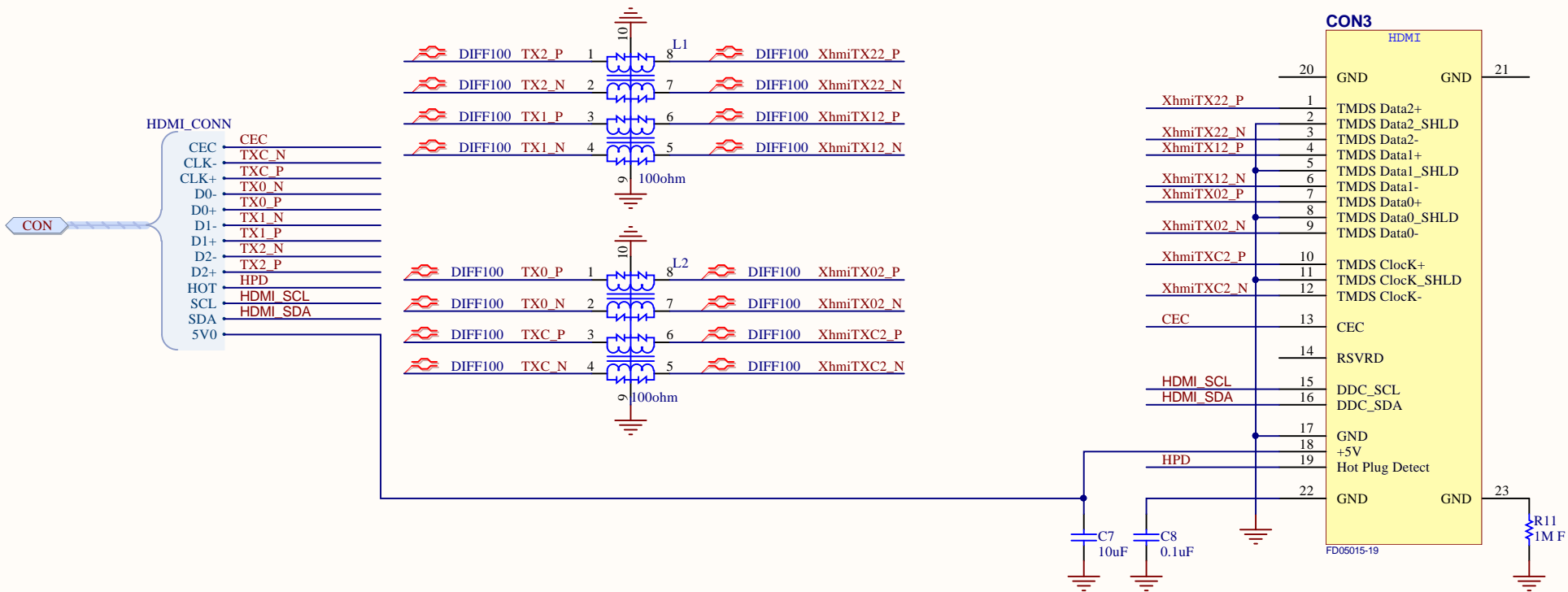
Title <b>POWER</b>			Hardkernel Co.,LTD. 475-1 Mananro Manangu, Anyang City Gyeonggido South Korea	
Size: A4	Number:11	Revision:0.1		
Date: 2016-01-22	Time: 오후 4:56:21	Sheet 11 of 21	Designed by: ruppi.kim@hardkernel.com	
File: POWER.SchDoc				



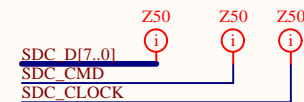
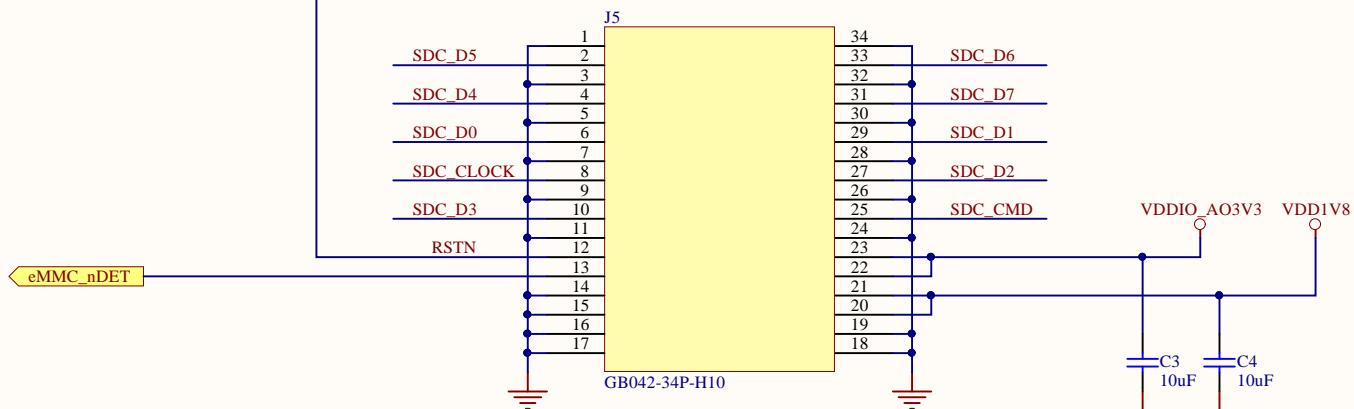
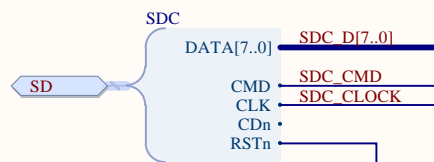
Title <b>USB 2.0 Type A Connector</b>			Hardkernel Co.,LTD. 475-1 Mananro Manangu, Anyang City Gyeonggido South Korea Designed by: <a href="mailto:ruppi.kim@hardkernel.com">ruppi.kim@hardkernel.com</a>	
Size: A4	Number:13	Revision:0.1		
Date: 2016-01-22	Time: 오후 4:56:21	Sheet 13 of 21		
File: <a href="#">CON_USB_RA.SchDoc</a>				



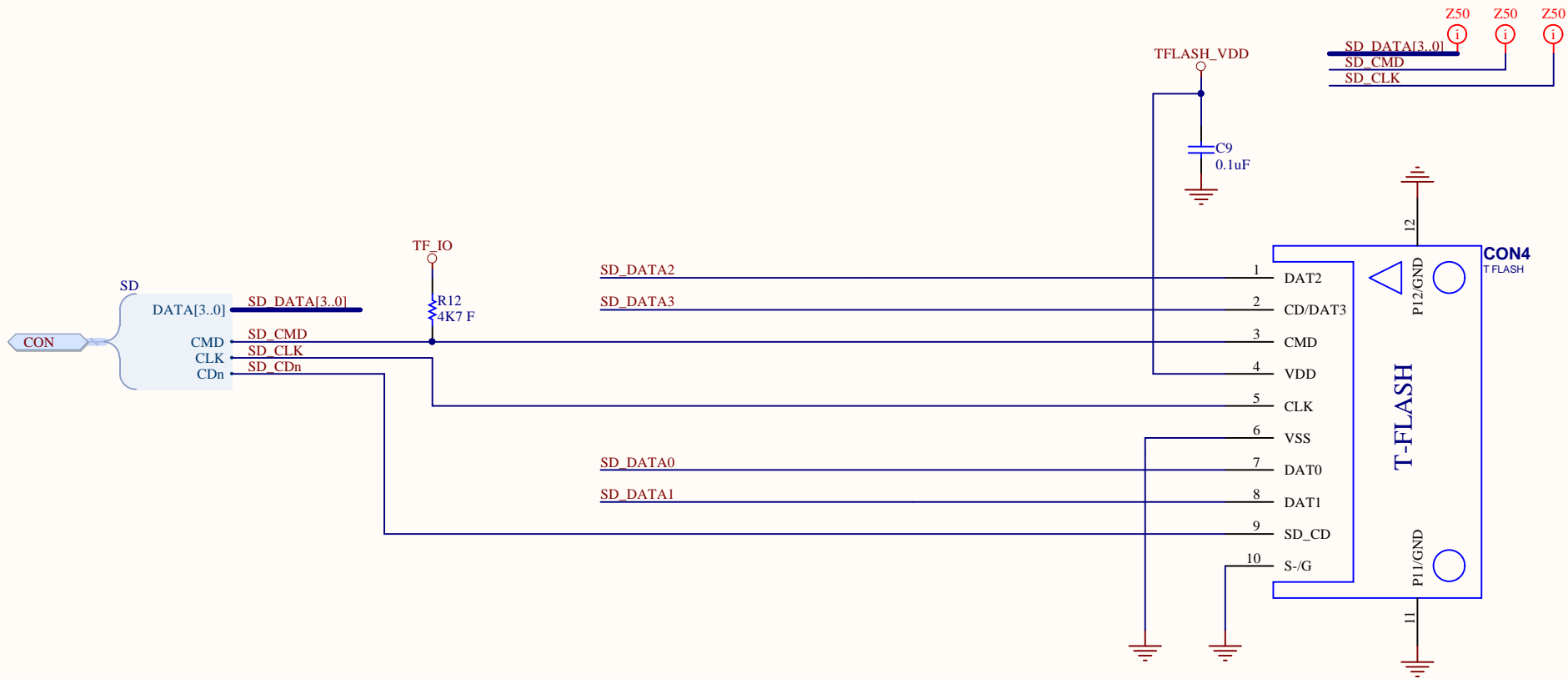
Title <b>CON_UART</b>			Hardkernel Co.,LTD. 475-1 Mananro Manangu, Anyang City Gyeonggido South Korea Designed by: <a href="mailto:ruppi.kim@hardkernel.com">ruppi.kim@hardkernel.com</a>	
Size: A4	Number:14	Revision0.1		
Date: 2016-01-22	Time: 오후 4:56:21	Sheet 14 of 21		
File: <a href="#">CON_UART.SchDoc</a>				




Title <b>HDMI Type A Connector</b>			Hardkernel Co.,LTD. 475-1 Mananro Manangu, Anyang City Gyeonggido South Korea	
Size: A4	Number:15	Revision:0.1		
Date: 2016-01-22	Time: 오후 4:56:21	Sheet 15 of 21	Designed by: ruppi.kim@hardkernel.com	
File: CON_HDMI.SchDoc				

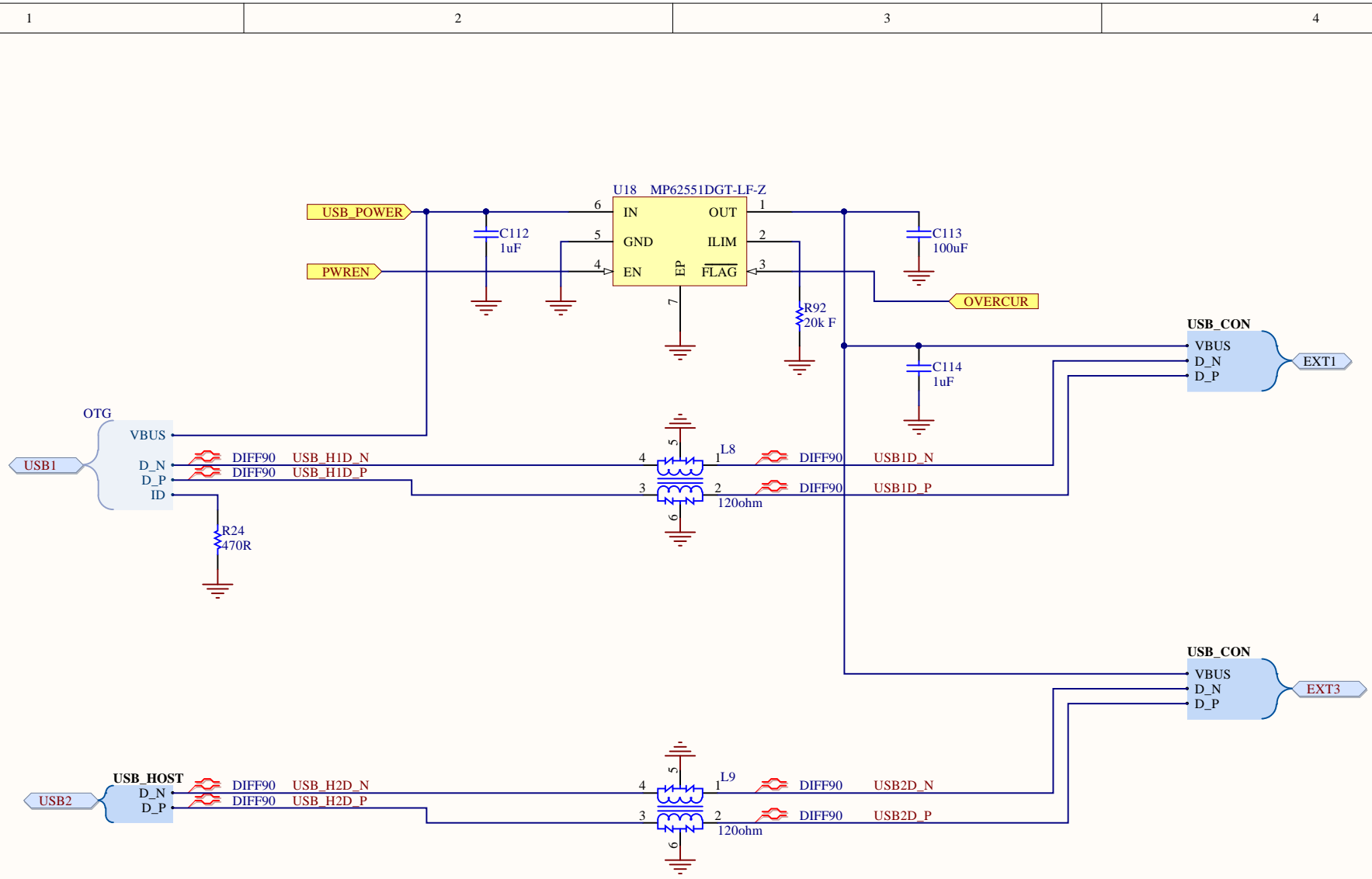


Title <b>CON_eMMC</b>			Hardkernel Co.,LTD. 475-1 Mananro Manangu, Anyang City Gyeonggido South Korea	
Size: A4	Number:16	Revision:0.1		
Date: 2016-01-22	Time: 오후 4:56:21	Sheet 16 of 21	Designed by: <a href="mailto:ruppi.kim@hardkernel.com">ruppi.kim@hardkernel.com</a>	
File: CON_EMMC.SchDoc				



Title <b>Micro SD Socket</b>			Hardkernel Co.,LTD. 475-1 Mananro Manangu, Anyang City Gyeonggido South Korea	
Size: A4	Number:17	Revision:0.1		
Date: 2016-01-22	Time: 오후 4:56:21	Sheet 17 of 21	Designed by: ruppi kim@hardkernel.com	
File: CON_MICROSD_HD08-AL00335.SchDoc				





Title <b>USB HOST POWER</b>			Hardkernel Co.,LTD. 475-1 Mananro Manangu, Anyang City Gyeonggido South Korea	
Size: A4	Number:18	Revision:0.1		
Date: 2016-01-22	Time: 오후 4:56:21	Sheet 18 of 21	Designed by: ruppi kim@hardkernel.com	
File: USB_HOST_PWR_SW.SchDoc				

1

2

3

4

A

A

B

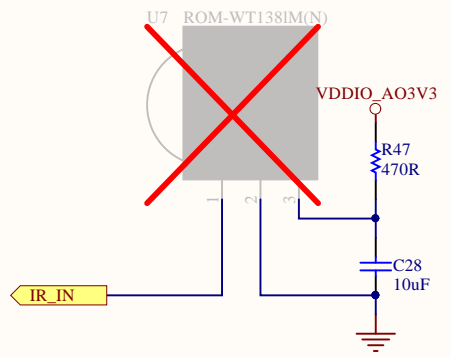
B


C

C

D

D



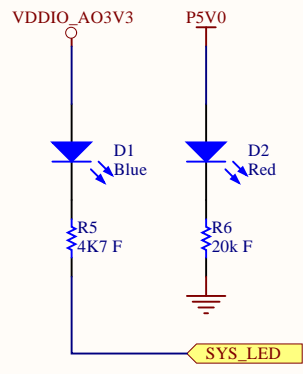
Title <b>Remote Control Receiver</b>			Hardkernel Co.,LTD. 475-1 Mananro Manangu, Anyang City Gyeonggido South Korea Designed by: <a href="mailto:ruppi.kim@hardkernel.com">ruppi.kim@hardkernel.com</a>	
Size: A4	Number:19	Revision:0.1		
Date: 2016-01-22	Time: 오후 4:56:21	Sheet 19 of 21		
File: IR.SchDoc				

1

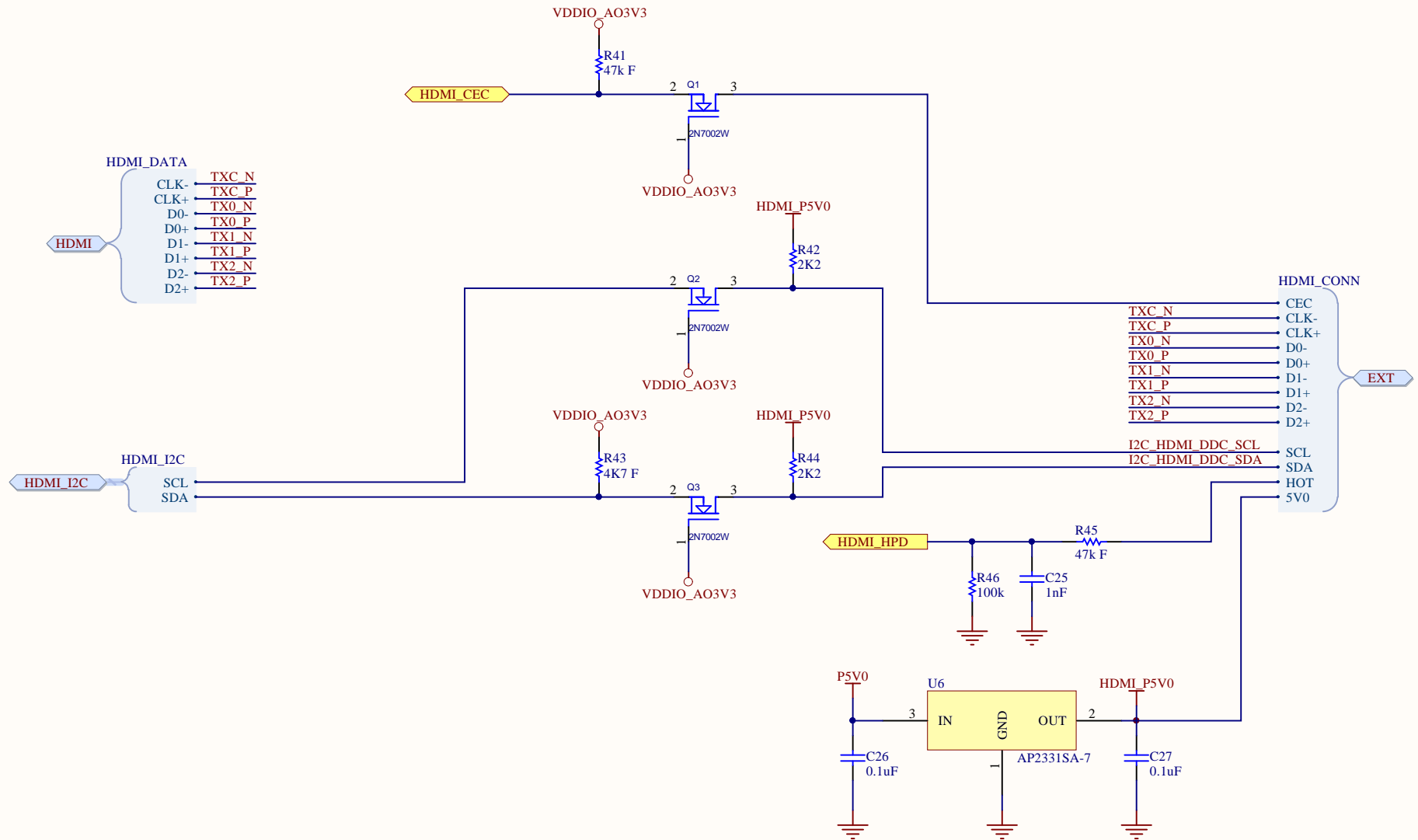
2

3

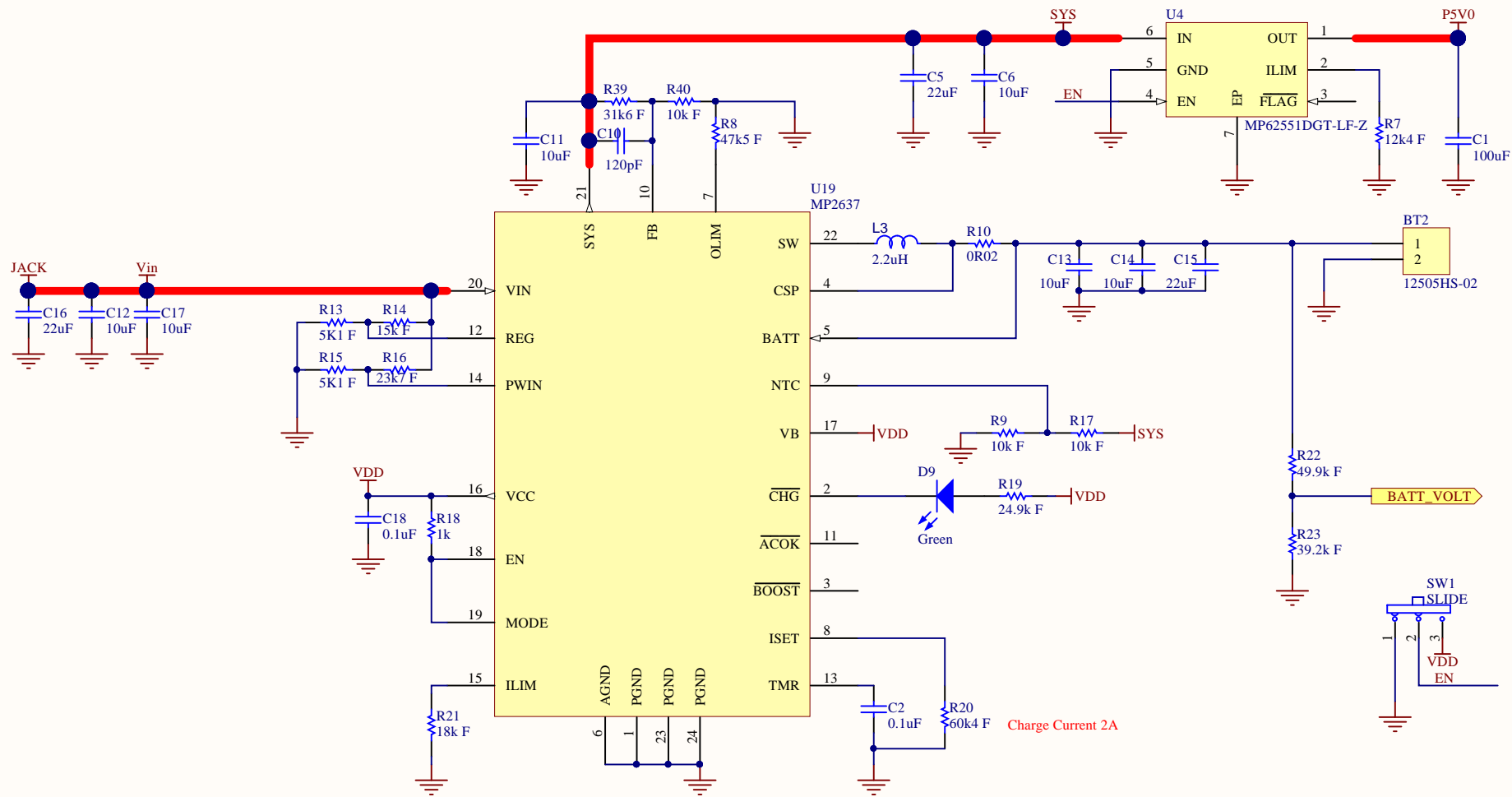
4



Title <b>LEDs</b>			Hardkernel Co.,LTD. 475-1 Mananro Manangu, Anyang City Gyeongido South Korea	
Size: A4	Number:20	Revision:0.1		
Date: 2016-01-22	Time: 오후 4:56:21		Sheet:20 of 21	
File: C_LEDS.SchDoc			Designed by: ruppi kim@hardkernel.com	



Title <b>HDMI EDID &amp; ETC</b>			Hardkernel Co.,LTD. 475-1 Mananro Manangu, Anyang City Gyeonggido South Korea	
Size: A4	Number:21	Revision:0.1	Designed by: <a href="mailto:ruppi.kim@hardkernel.com">ruppi.kim@hardkernel.com</a>	
Date: 2016-01-22	Time: 오후 4:56:21	Sheet 21 of 21		
File: HDMI_I2C.SchDoc				



Title <b>Charger with PPM MP2637</b>			Hardkernel Co.,LTD. 475-1 Mananro Manangu, Anyang City Gyeonggido South Korea	
Size: A4	Number:1	Revision:0.1	Designed by: <a href="mailto:ruppi.kim@hardkernel.com">ruppi.kim@hardkernel.com</a>	
Date: 2016-01-22	Time: 오후 4:56:21	Sheet of 8		
File: MP2637.SchDoc				