

Product Specification

WE ARE PLEASED IN SUBMITTING OUR SAMPLES WITH SPECIFICATION TO YOU FOR APPROVAL.

CUSTOMER: _____

DESCRIPTION: RJ45 1x1 Tab Up L 21.30xW15.90xH13.80mm
1000 BASE-T w/ LED & w/O EMI Finger 6u" Gold Plated

MNC P/N: 11H634-5312-01

VERSION: X1

CUSTOMER P/N: _____

ISSUED DATE: 2017-06-05

PHOTO OF PRODUCT: _____

WEIGHT: _____

MADE IN: CHINA

| APPROVED BY MNC | | |
|-----------------|------------|-------------|
| PREPARED BY | CHECKED BY | APPROVED BY |
| KEVIN | BOWEN | KING |

| APPROVED BY CUSTOMER |
|----------------------|
| SIGNATURE OR STAMP |
| |

- PLEASE SEND BACK US A COPY OF THE SPECIFICATION WITH YOUR STAMP OR SIGNATURE ONCE THE SAMPLES APPROVED.
- IT WILL BE DEEMED THE SAMPLES TO BE APPROVED IF NO FEEDBACK.

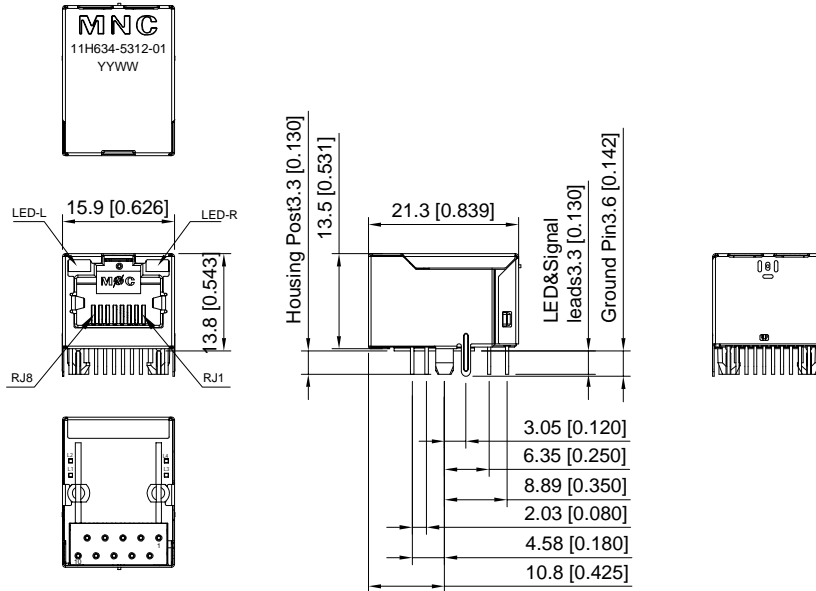
INDEX

| | |
|---------------------------------------|---|
| PRODUCT SPECIFICATION | 1 |
| INDEX CHANGE RECORD | 2 |
| 1.MECHANICAL | 3 |
| 2.RECOMMENDED PCB LAYOUT | 3 |
| 3.SCHEMATIC | 4 |
| 4.ELECTRICAL SPECIFICATION | 4 |
| 5.PACKING | 5 |
| 6.RECOMMENDED SOLDERING PROFILE | 6 |

CHANGE RECORD

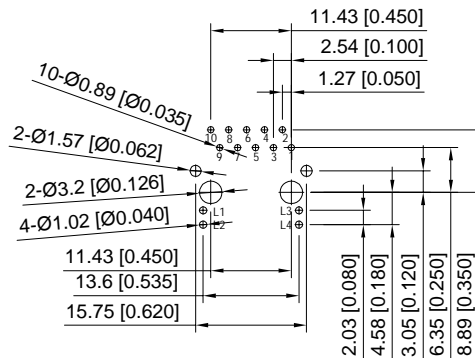
| REV. | DESCRIPTION (Content or Reason For Change) | DATE | REVISER |
|------|---|------------|---------|
| X0 | INITIAL RELEASE | 2016-12-26 | Kevin |
| X1 | Change housing material from PBT to LCP | 2017-06-05 | Kevin |
| | | | |
| | | | |
| | | | |
| | | | |
| | | | |

1.MECHANICAL:



- a. Units:mm/inch.
- b. Unless otherwise specified all tolerances are:±0.25[0.010]
- c. Pin length don't include solder point

2.RECOMMENDED PCB LAYOUT



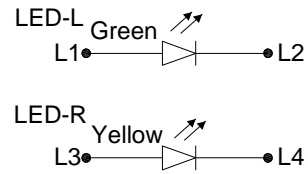
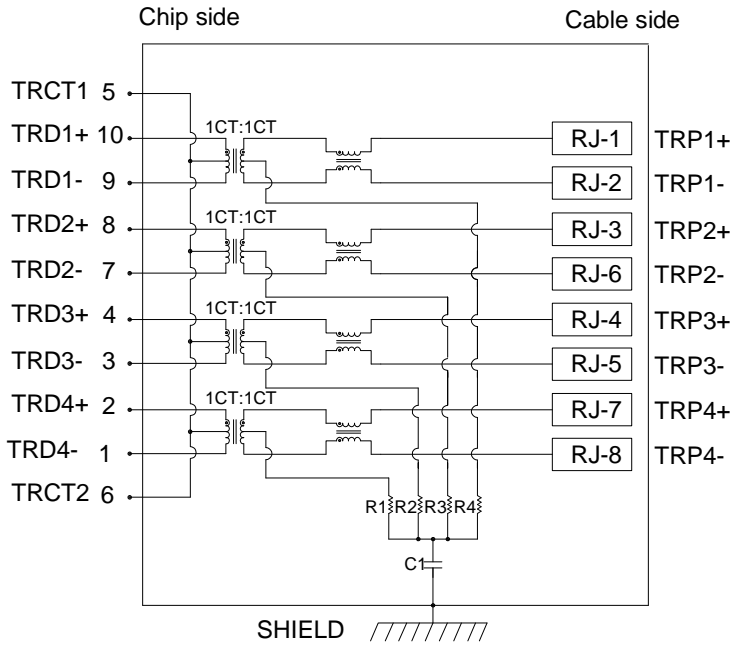
Top View Customer Board (COMP Side)

- a. Units:mm/inch.
- b. Unless otherwise specified all tolerances are:±0.05[0.002]

Materials and Finish:

- 2.1 Housing: LCP,BK, Flammability Rating 94V-0.
- 2.2 Insert Base: PBT,BK, Flammability Rating 94V-0.
- 2.3 Shell: Brass, nickel plating.
- 2.4 Mold Jack Contacts: Phosphor Bronze,6u" Gold Plated.
- 2.5 LED: Diffused Epoxy Lens, 0.5x0.5mm Carbon Steel wireframe leads.
- 2.6 UL FILE NO.: E474470

3.SCHEMATIC:

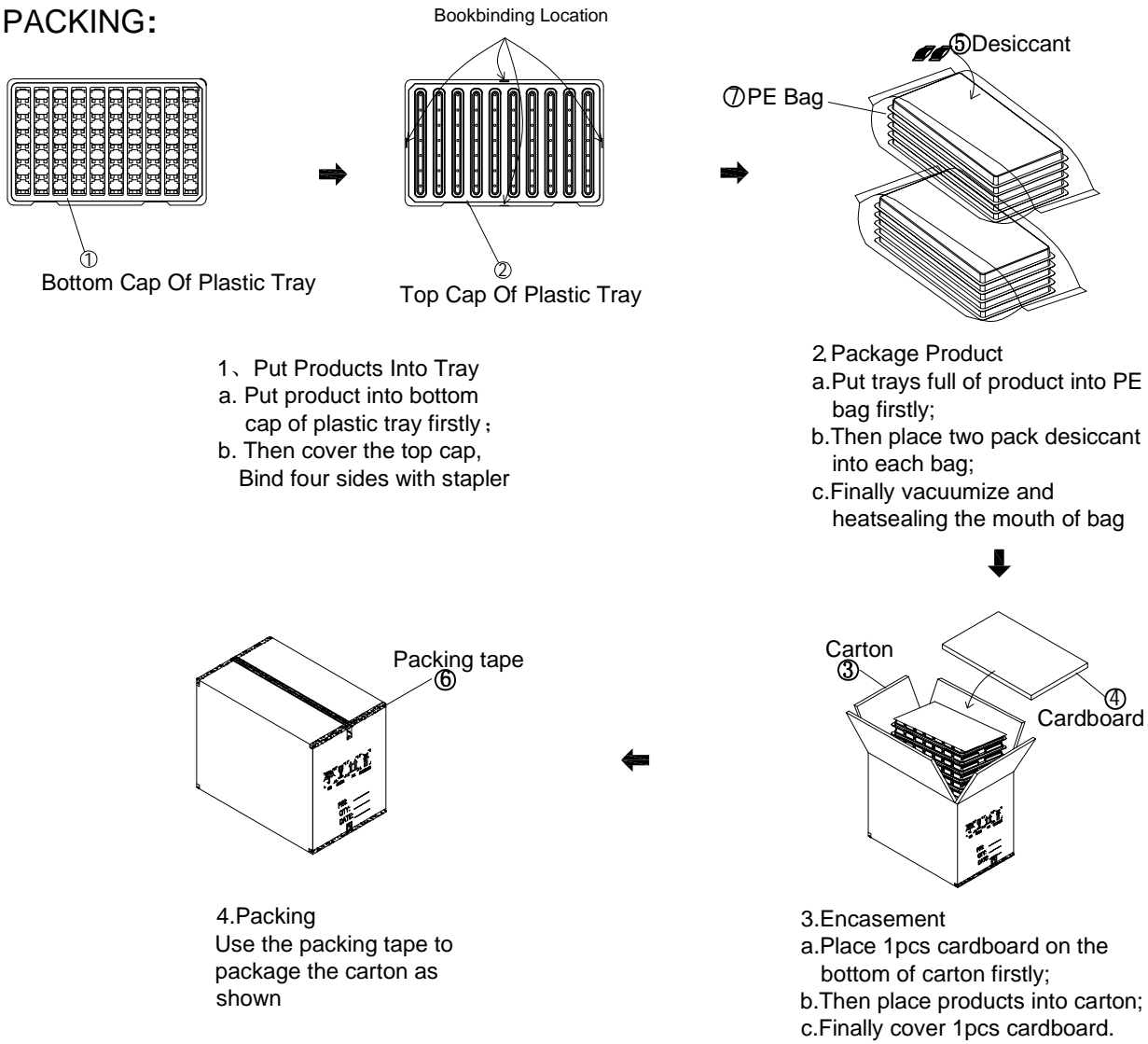


Note:
R1-R4=75 OHMS, Resistors.
C1=2KV 1000pF, Capacitor.
LED is with constant current at approx 20mA.
LED color:
Dominant wavelength(λ_D):
Green=565nm TYP. at IF=20mA;
forward voltage(VF): Green 2.2V TYP,at IF=20mA;
Dominant wavelength(λ_D):
Yellow=585nm TYP. at IF=20mA;
forward voltage(VF): Yellow 2.1V TYP,at IF=20mA;

4.ELECTRICAL SPECIFICATION @ 25 °C

| Item | Specification | Test Condition |
|--|--------------------------|--|
| Application | 1000 BASE-T | |
| Inductance | 350 μ H Min | 100KHz 0.1V 8mA DC Bias @ -40 °C to +85 °C |
| Leakage Inductance | 0.5 μ H Max | 100KHz 0.1V |
| DC Resistance | 1.5 Ω Max | |
| Turns Ratio | 1CT:1CT (All Four Pairs) | 100KHz 0.1V |
| Insertion Loss | -1.1dB Min | 0.5-100 MHz |
| | -18dB Max | 0.5-40 MHz |
| Return Loss | -12+20log(f/80)dB Max | 40.1-100 MHz |
| | -35dB Max | 0.5-40 MHz |
| Cross Talk | -33+20log(f/50)dB Max | 40.1-100 MHz |
| | -30dB Max | 0.5-100 MHz |
| CMRR | -30dB Max | 0.5-100 MHz |
| Isolation Hi-pot: (Complies with IEEE802.3 isolation requirements) | 1mA Max | 2250VDC |
| Operating Temperature | -40 °C to +85 °C | |

5.PACKING:



Material(603-11A-01)

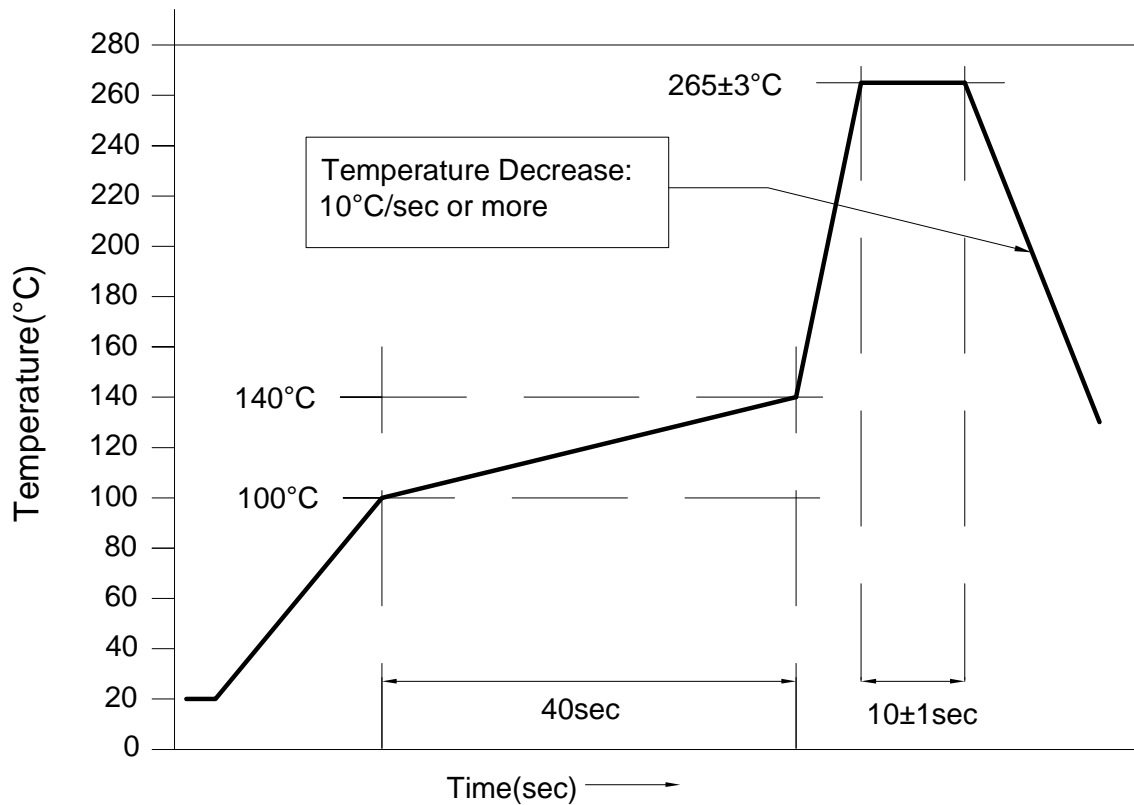
| | | | | | |
|------|--------------------|---------------------------------------|------|-------|---------------|
| 7 | PE bag | L520.0xW340.0mm , T=0.10 | PCS | 2 | |
| 6 | Packing Tape | Transparent packing tape(no marks) | M | 3.3 | |
| 5 | Desiccant | Desiccant 10g | BAG | 4 | |
| 4 | Cardboard | L320.0xW195.0 T=5.0mm C=C | PCS | 2 | |
| 3 | Carton | L340.0xW215.0xH275mm K=K | PCS | 1 | 700PCS/Carton |
| 2 | Top Cap Of Tray | L315.0xW200.0xH14.0mm Transparent PET | SET | 10 | 70PCS/Tray |
| 1 | Bottom Cap of Tray | L315.0xW200.0xH16.5mm Transparent PET | SET | 10 | |
| Item | Name | Description | Unit | Usage | Remark |

NOTE:
Moisture Sensitive Level(MSL): Level 1

6.RECOMMENDED SOLDERING PROFILE :

a. Condition:

- a.1 Available for all the through whole parts
- a.2 Soldering method: Wave Soldering
- a.3 Solder: 99.3Sn-0.7Cu
- a.4 The recommended WAVE soldering curve is as below



NOTE:

The measure point for the speccified temperature shall be on the soldered part of the lead