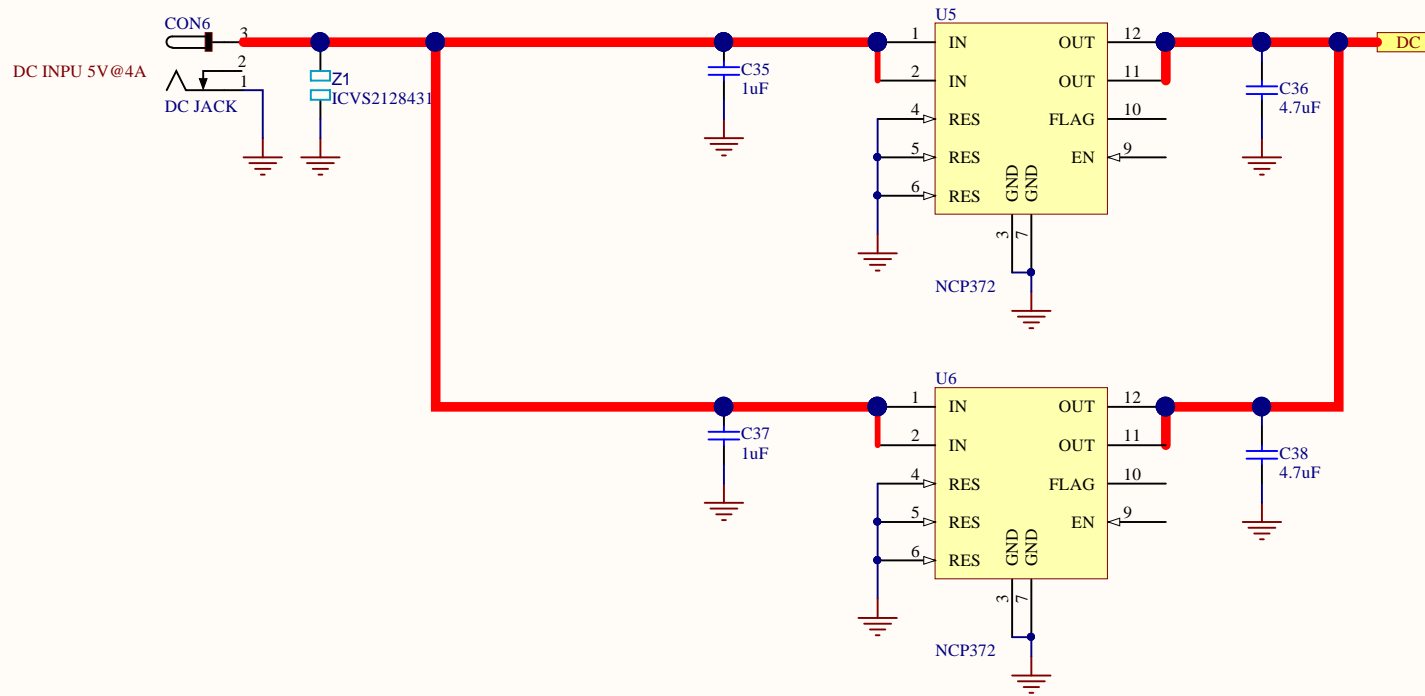
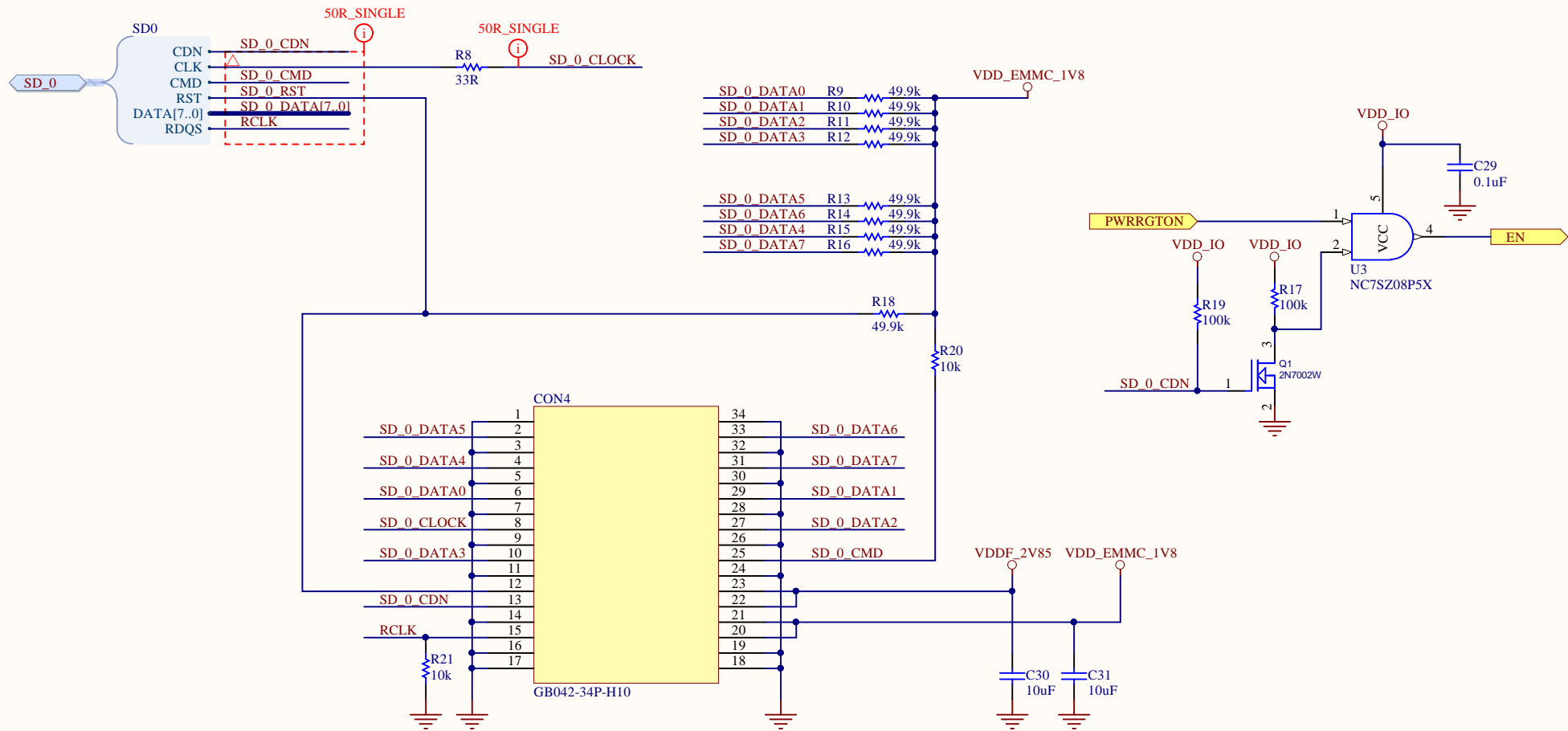


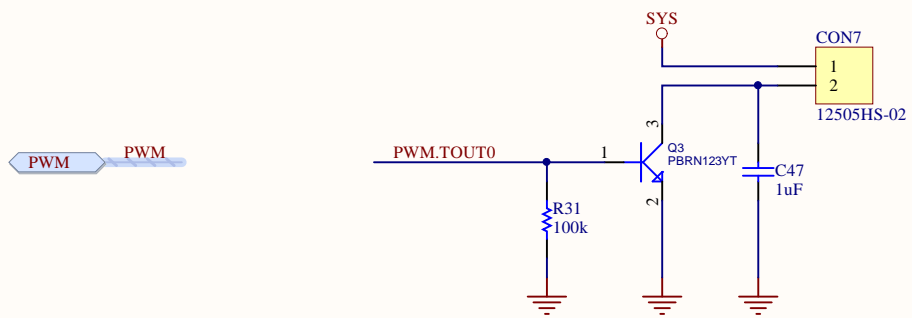
Title CLK			Hardkernel Co.,LTD. 475-1 Mananro Manangu, Anyang City Gyeonggido South Korea	
Size: A4	Number:30.	Revision:0.1		
Date: 2016-02-05	Time: 오전 10:08	Sheet 1 of 33	Designed by: ruppi.kim@hardkernel.com	
File: CLK.SchDoc				



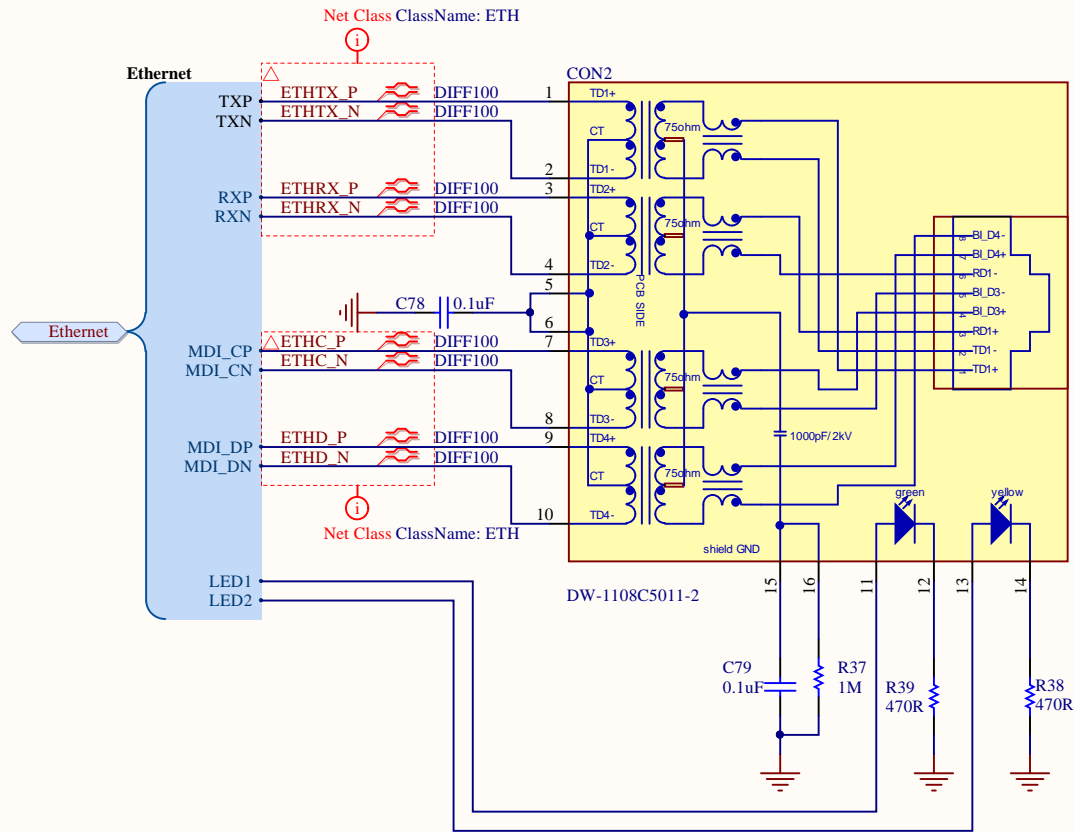
Title DC Jack and Protection IC			Hardkernel Co.,LTD. 475-1 Mananro Manangu, Anyang City Gyeonggido South Korea	
Size: A4	Number:22.	Revision:0.1		
Date: 2016-02-05	Time: 오전 10:08:48	Sheet 2 of 33		
File: CON_DCJACK.SchDoc			Designed by: ruppi kim@hardkernel.com	



Title eMMC Connector			Hardkernel Co.,LTD. 475-1 Mananro Manangu, Anyang City Gyeonggido South Korea	
Size: A4	Number:29.	Revision:0.1		
Date: 2016-02-05	Time: 오전 10:08:48	Sheet 3 of 33		
File: CON_EMMC.SchDoc			Designed by: ruppi.kim@hardkernel.com	



Title FAN Connector			Hardkernel Co.,LTD. 475-1 Mananro Manangu, Anyang City Gyeonggido South Korea	
Size: A4	Number:27.	Revision:0.1		
Date: 2016-02-05	Time: 오전 10:08:49	Sheet 4 of 33	Designed by: ruppi.kim@hardkernel.com	
File: CON_FAN.SchDoc				



Title **Giga Ethernet Connector**

Hardkernel Co.,LTD.
475-1 Mananro
Manangu, Anyang City
Gyeonggido
South Korea



Size: A4

Number:13.

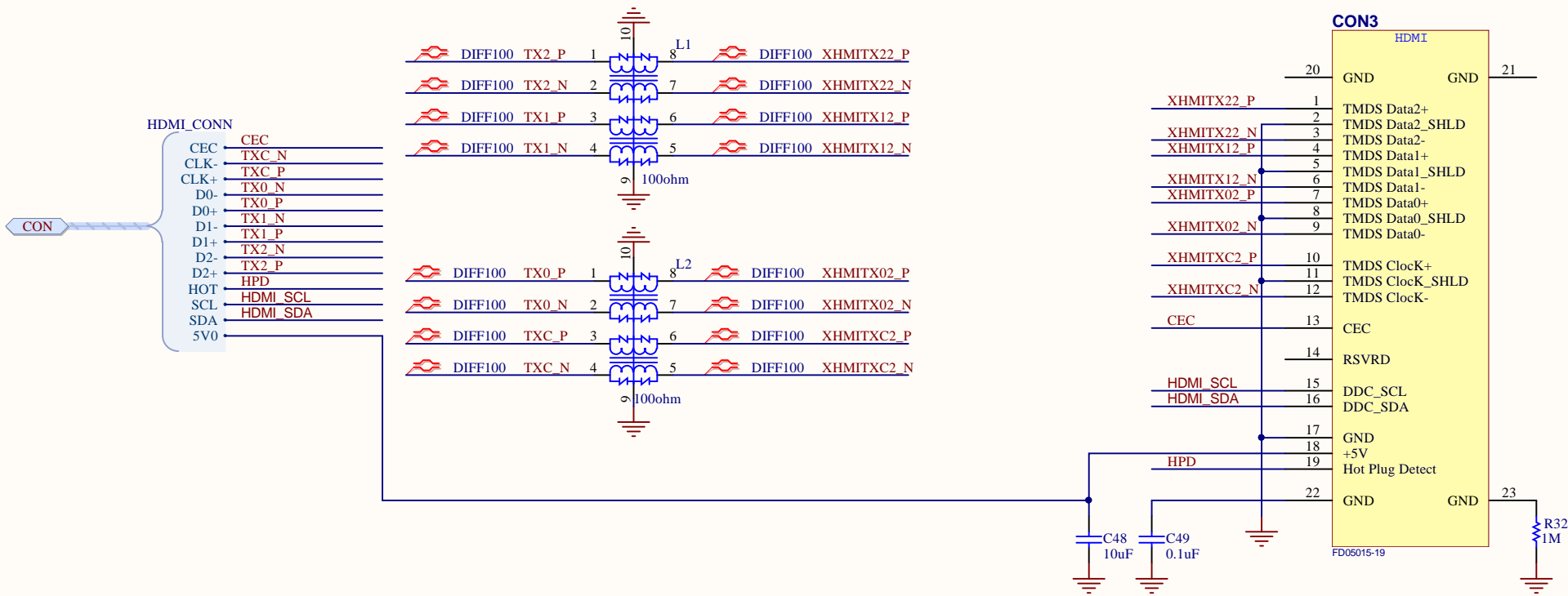
Revision0.1

Date: 2016-02-05

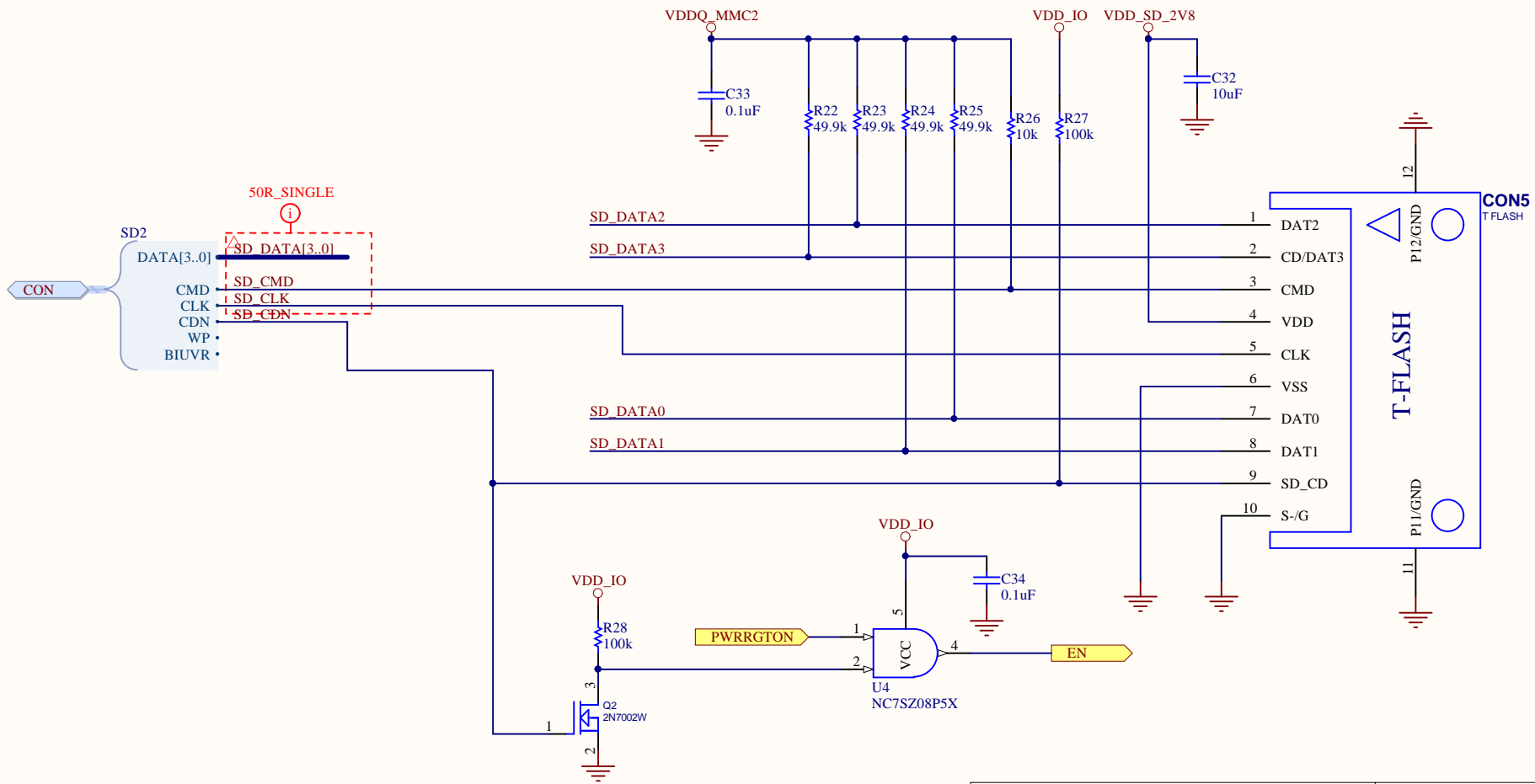
Time: 오전 10:08:49 sheet 5 of 33

File: CON_GIGA_ETH.SchDoc

Designed by: ruppi.kim@hardkernel.com



Title HDMI Type A Connector			Hardkernel Co.,LTD. 475-1 Mananro Manangu, Anyang City Gyeonggido South Korea	
Size: A4	Number:18.	Revision:0.1		
Date: 2016-02-05	Time: 오전 10:08:49	Sheet:6 of 33	Designed by: ruppi kim@hardkernel.com	
File: CON_HDMI.SchDoc				



Title Micro SD Socket			Hardkernel Co.,LTD. 475-1 Mananro Manangu, Anyang City Gyeonggido South Korea	
Size: A4	Number:24.	Revision:0.1		
Date: 2016-02-05	Time: 오전 10:08:49	Sheet 7 of 33		
File: CON_MICROSD_HD08-AL00335.SchDoc			Designed by: ruppi kim@hardkernel.com	

1

2

3

4

A

A

B

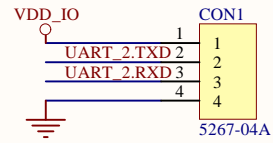
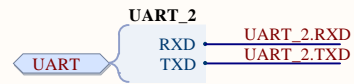
B


C

C

D

D



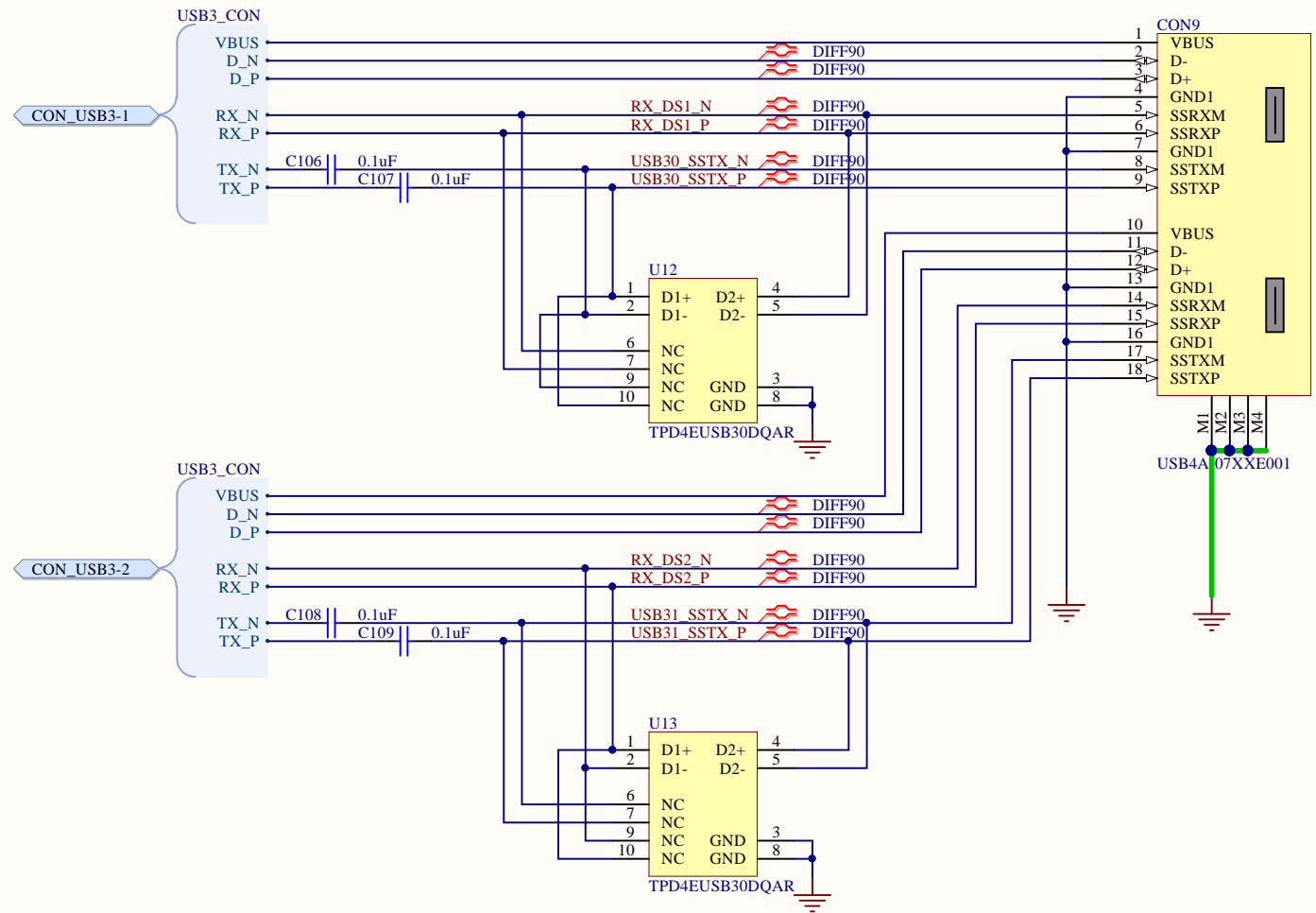
Title UART Connector			<i>Hardkernel Co.,LTD.</i> 475-1 Mananro Manangu, Anyang City Gyeonggido South Korea Designed by: ruppi.kim@hardkernel.com	
Size: A4	Number:23.	Revision:0.1		
Date: 2016-02-05	Time: 오전 10:08:49	Sheet 8 of 33		
File: CON_UART.SchDoc				

1

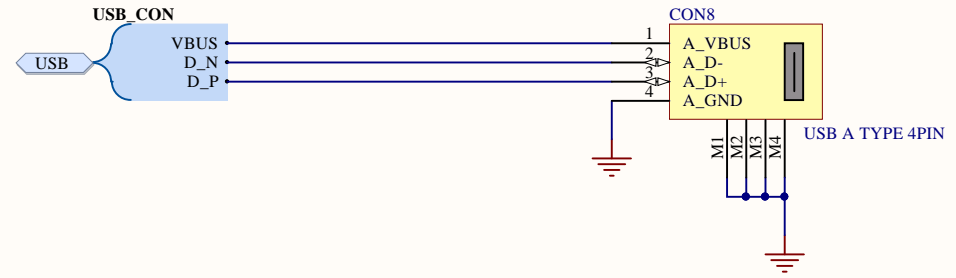
2


3

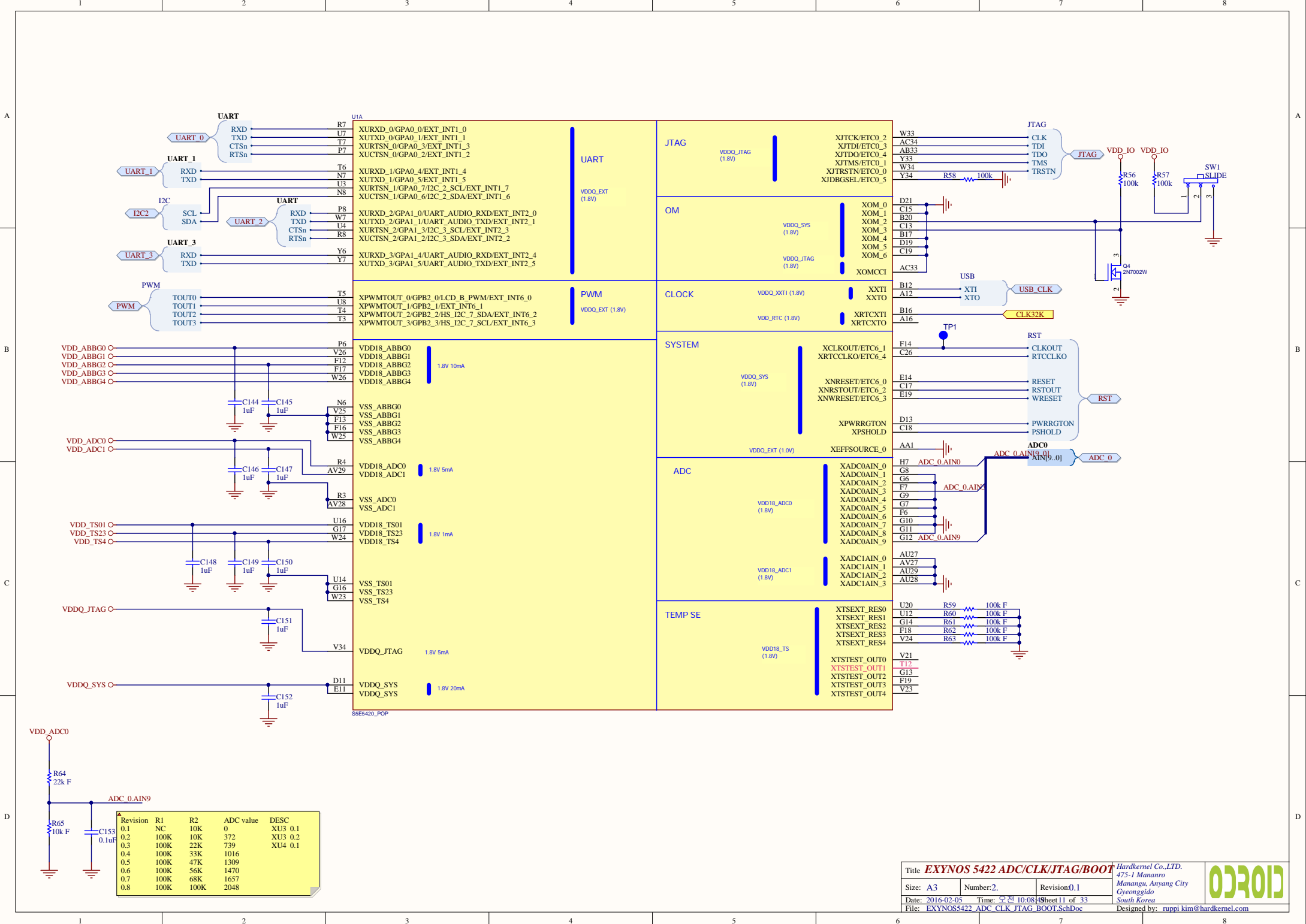
4

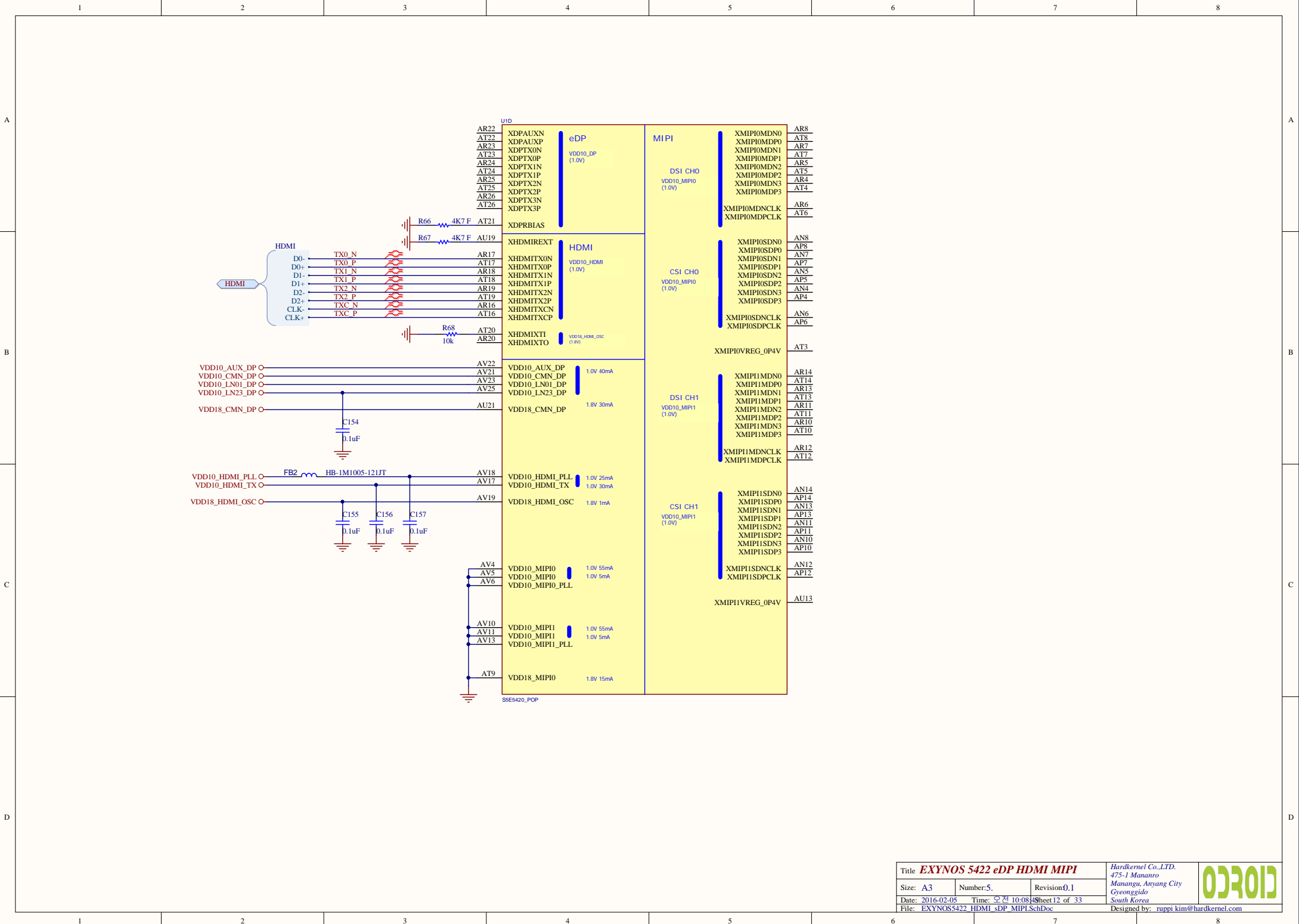


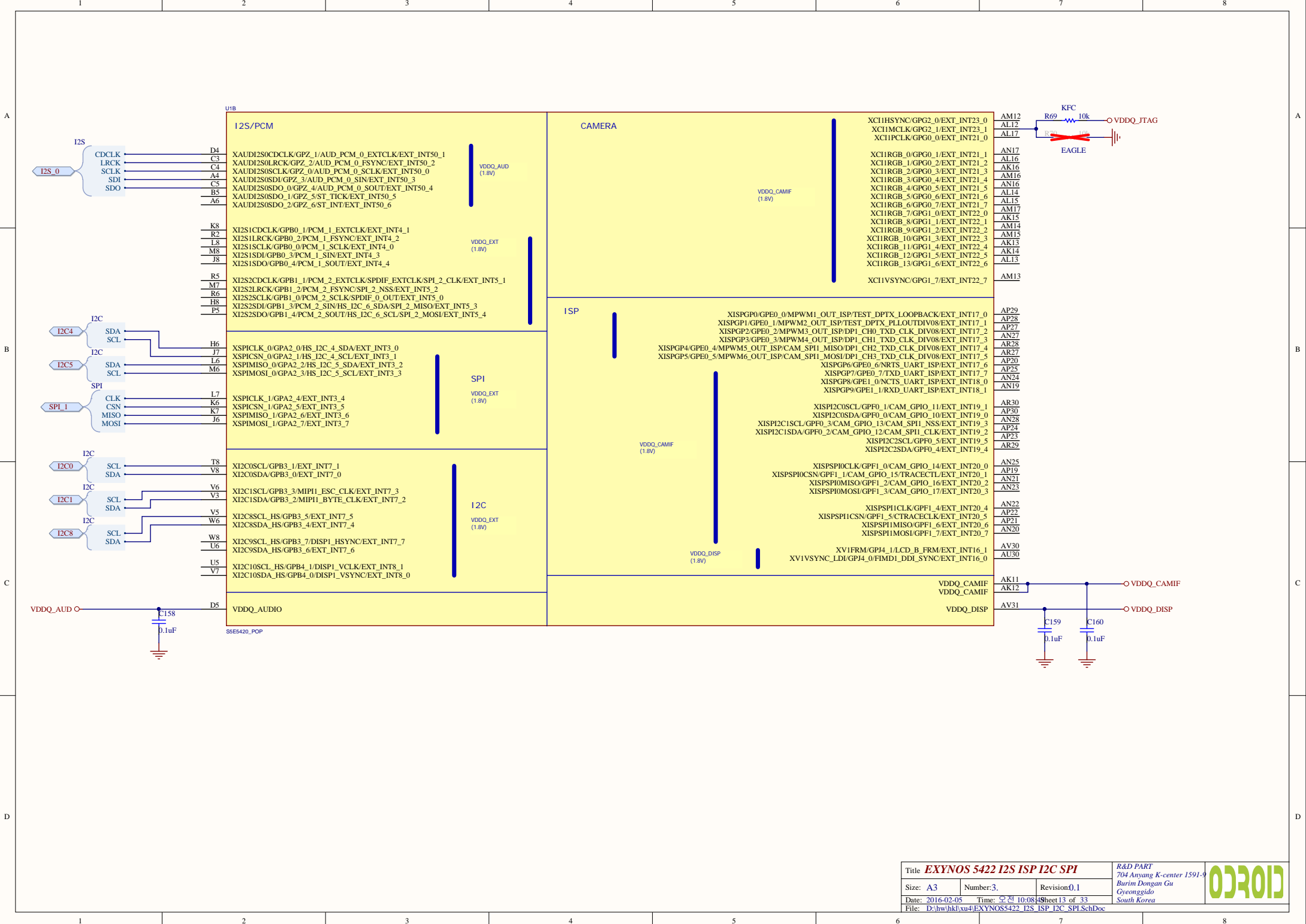
Title USB 3.0 Type A Connector			Hardkernel Co.,LTD. 475-1 Mananro Manangu, Anyang City Gyeonggido South Korea	
Size: A4	Number:15.	Revision:0.1		
Date: 2016-02-05	Time: 오전 10:08:49	Sheet 9 of 33		
File: CON_USB3_DUAL_RA.SchDoc			Designed by: ruppi kim@hardkernel.com	

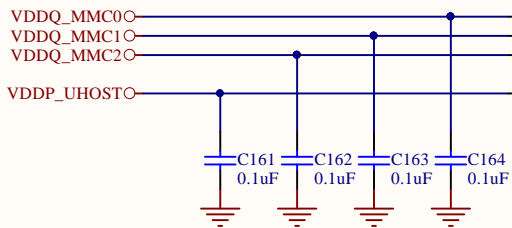
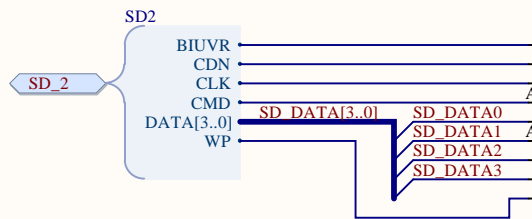
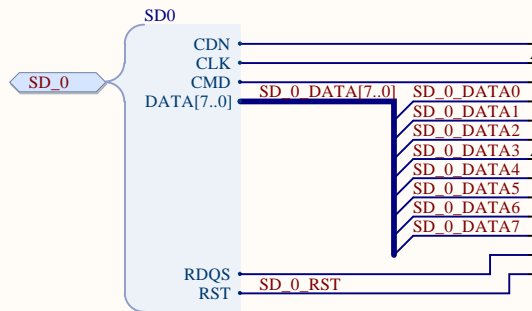


Title USB 2.0 Type A Connector			Hardkernel Co.,LTD. 475-1 Mananro Manangu, Anyang City Gyeonggido South Korea Designed by: ruppi.kim@hardkernel.com	
Size: A4	Number:21.	Revision:0.1		
Date: 2016-02-05	Time: 오전 10:08:49	Sheet 10 of 33		
File: CON_USB_RA.SchDoc				









U1F

AK6 XMMC0CDN/GPC0_2/EXT_INT9_2
 AL10 XMMC0CLK/GPC0_0/EXT_INT9_0
 AM9 XMMC0CMD/GPC0_1/EXT_INT9_1
 AG2 XMMC0DATA_0/GPC0_3/EXT_INT9_3
 AG1 XMMC0DATA_1/GPC0_4/EXT_INT9_4
 AJ8 XMMC0DATA_2/GPC0_5/EXT_INT9_5
 AL11 XMMC0DATA_3/GPC0_6/EXT_INT9_6
 AG3 XMMC0DATA_4/GPC3_0/EXT_INT12_0
 AF3 XMMC0DATA_5/GPC3_1/EXT_INT12_1
 AK7 XMMC0DATA_6/GPC3_2/EXT_INT12_2
 AJ9 XMMC0DATA_7/GPC3_3/EXT_INT12_3
 AK9 XMMC0RDQS/GPC0_7/EXT_INT9_7
 AE3 XMMC0RESETOUT/GPD1_0/EXT_INT14_0

~~AC3 XMMC1BEPW/GPD1_2/EXT_INT14_2~~
~~AK10 XMMC1CDN/GPC1_2/EXT_INT10_2~~
~~AD2 XMMC1CLK/GPC1_0/EXT_INT10_0~~
~~AD1 XMMC1CMD/GPC1_1/EXT_INT10_1~~
~~AJ10 XMMC1DATA_0/GPC1_3/EXT_INT10_3~~
~~AH8 XMMC1DATA_1/GPC1_4/EXT_INT10_4~~
~~AJ5 XMMC1DATA_2/GPC1_5/EXT_INT10_5~~
~~AJ6 XMMC1DATA_3/GPC1_6/EXT_INT10_6~~
~~AC2 XMMC1DATA_4/GPD1_4/EXT_INT14_4~~
~~AC1 XMMC1DATA_5/GPD1_5/EXT_INT14_5~~
~~AB2 XMMC1DATA_6/GPD1_6/EXT_INT14_6~~
~~AH5 XMMC1DATA_7/GPD1_7/EXT_INT14_7~~
~~AH6 XMMC1INTN/GPD1_1/EXT_INT14_1~~
~~AD3 XMMC1RDQS/GPC1_7/EXT_INT10_7~~
~~AB3 XMMC1WP/GPD1_3/EXT_INT14_3~~

AM6 XMMC2BIUVR/GPC4_1/EXT_INT13_1
 AL6 XMMC2CDN/GPC2_2/EXT_INT11_2
 AM7 XMMC2CLK/GPC2_0/EXT_INT11_0
 AM11 XMMC2CMD/GPC2_1/EXT_INT11_1
 AM5 XMMC2DATA_0/GPC2_3/EXT_INT11_3
 AM10 XMMC2DATA_1/GPC2_4/EXT_INT11_4
 AN9 XMMC2DATA_2/GPC2_5/EXT_INT11_5
 AL5 XMMC2DATA_3/GPC2_6/EXT_INT11_6
 AK5 XMMC2WP/GPC4_0/EXT_INT13_0

VDDQ_MMC0 1.8V 150mA
 VDDQ_MMC1 1.8V 150mA
 VDDQ_MMC2 2.8V 250mA
 VDDP_MMC 1.8V 50mA

SSE5420_POP

MMC

CH0

VDDQ_MMC0 (1.8V)

CH1

VDDQ_MMC1 (1.8V)

CH2

VDDQ_MMC2 (1.8V/2.8V)

UFS

VDDQ_EXT (1.8V)

VDD_RX_UFS (1.0V)

VDD_TX_UFS (1.0V)

VDD_UFS_OSC (1.8V)

VDD_CMN_UFS (1.0V)

1.0V 60mA

1.0V 60mA

1.0V 60mA

1.8V 5mA

1.8V 1mA

XUFSNRESET/ETC6_7
 XUFSRXDN0
 XUFSRXDP0
 XUFSRXDN1
 XUFSRXDP1
 XUFSTXDN0
 XUFSTXDP0
 XUFSTXDN1
 XUFSTXDP1

XUFSXTI
 XUFSXTO

XUFSREFCLK
 XUFSREFCLK_OUT
 XUFSREXT

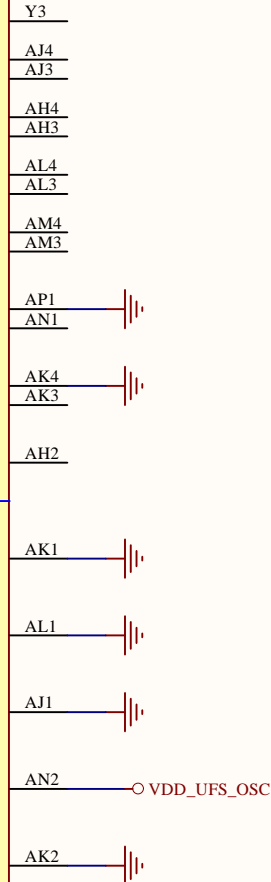
VDD_CMN_UFS

VDD_RX_UFS

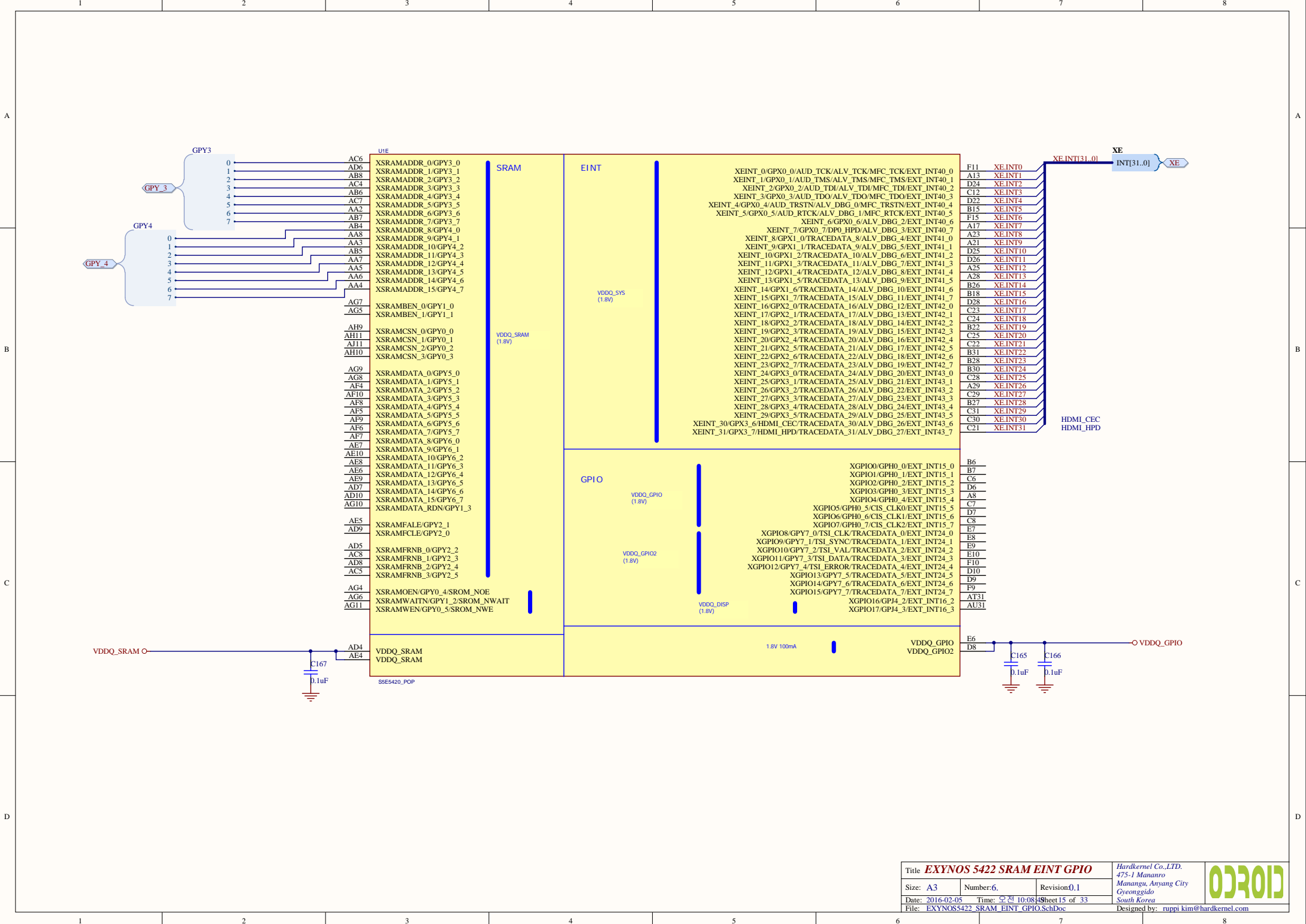
VDD_TX_UFS

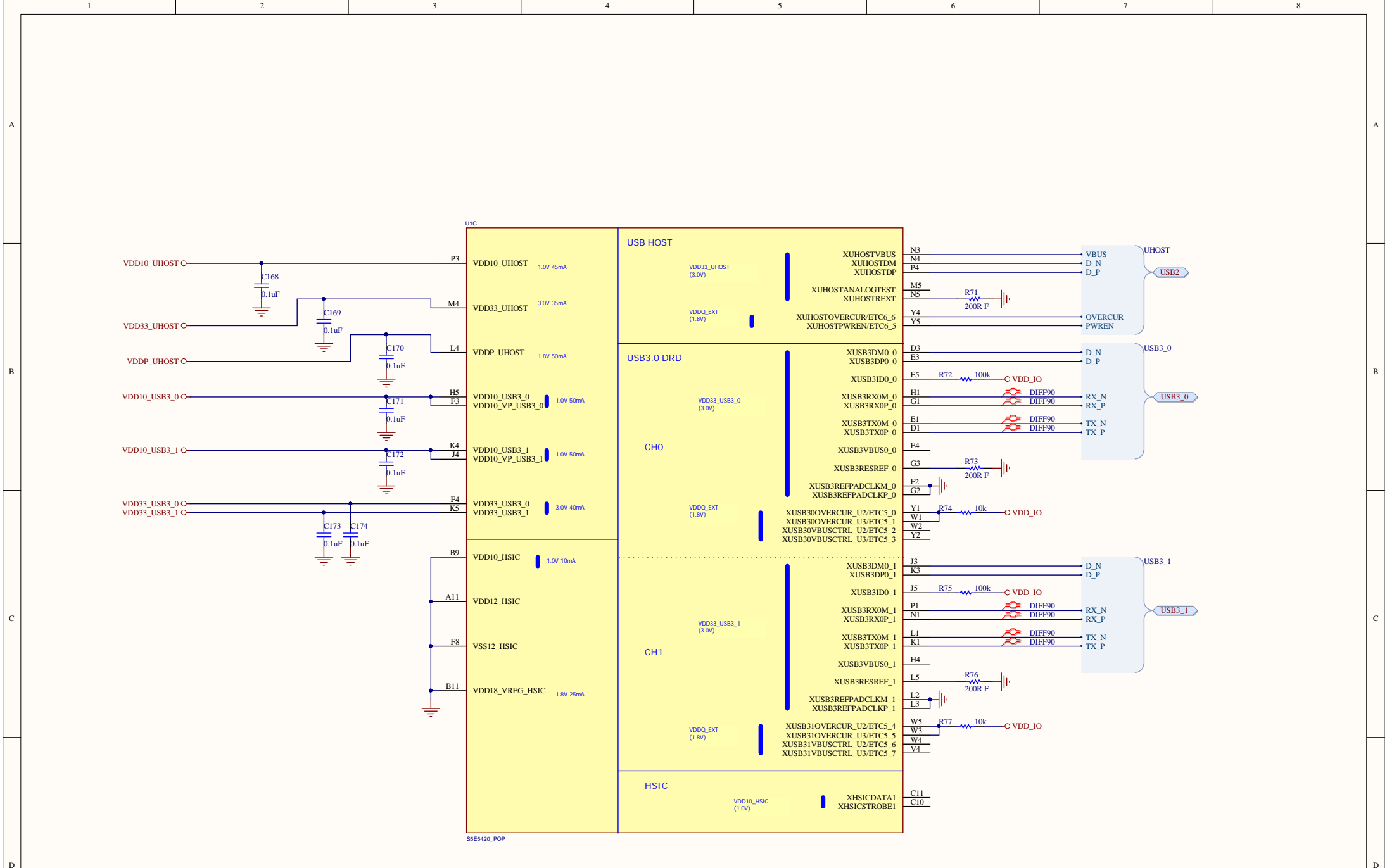
VDD_UFS_OSC

VDDH_CMN_UFS



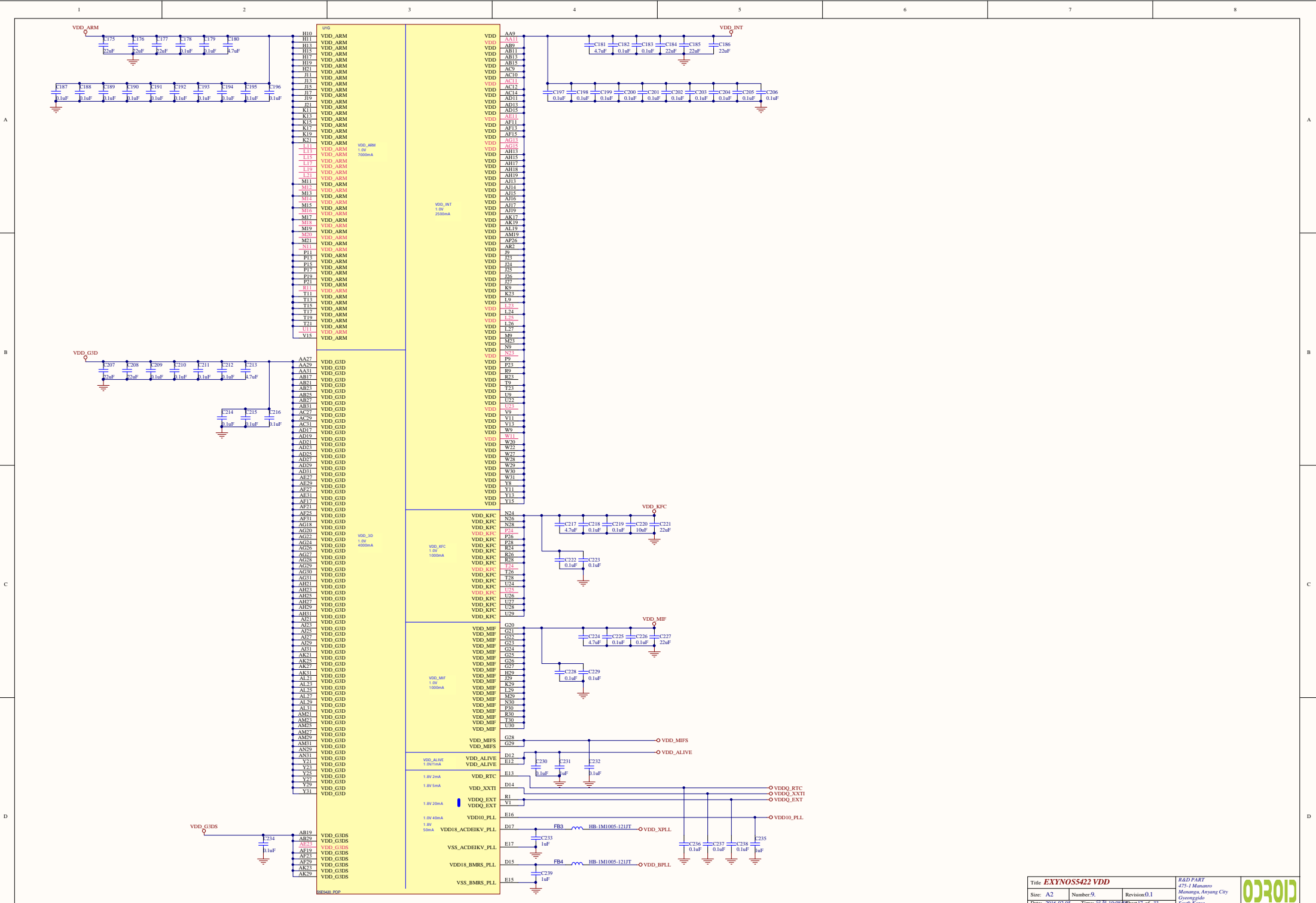
Title EXYNOS 5422 MMC UFS			Hardkernel Co.,LTD. 475-1 Mananro Manangu, Anyang City Gyeonggido South Korea	
Size: A4	Number:7.	Revision:0.1	Designed by: ruppi kim@hardkernel.com	
Date: 2016-02-05	Time: 오전 10:08:49	Sheet 14 of 33		
File: EXYNOS5422_MMC_UFS.SchDoc				



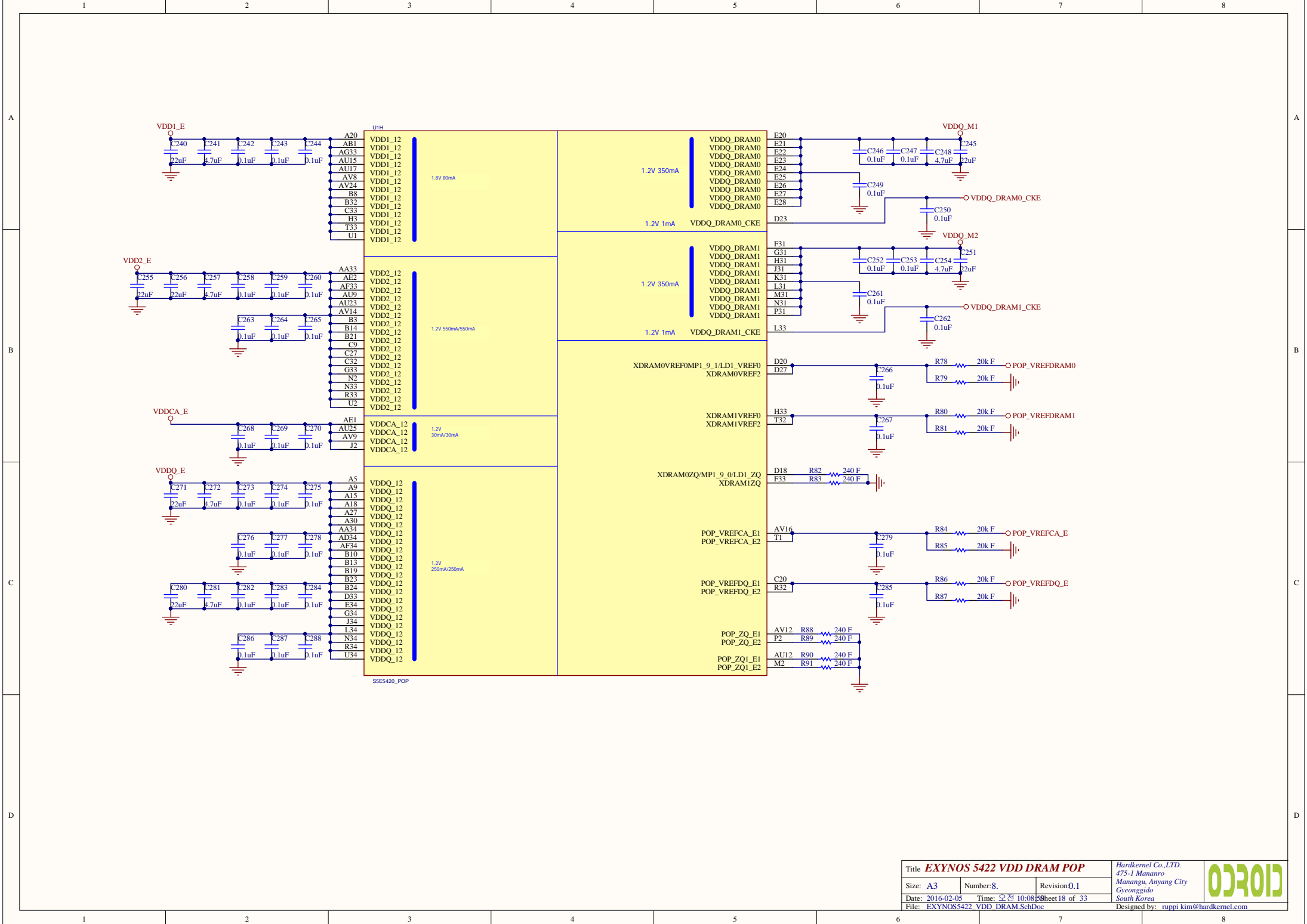


S5E5420_POP

Title EXYNOS 5422 USB/HSIC			Hardkernel Co.,LTD. 475-1 Mananro Manangu, Anyang City Gyeonggido South Korea		ANDROID
Size: A3	Number: 4	Revision: 0.1	Designed by: ruppi.kim@hardkernel.com		
Date: 2016-02-05	Time: 2016-02-08 10:08:45	Sheet 16 of 33			
File: EXYNOS5422_USB_HSIC.SchDoc					



- Pin list for VDD_ARM (100mA):
- H10, H13, H15, H19, H21, J1, J3, J7, J9, K1, K13, K15, K17, K19, K21, L11, L13, L15, L17, L19, L21, M1, M13, M15, M17, M19, M21, N1, P1, P3, P7, P9, P11, P13, P15, P17, P19, P21, R11, R13, R15, R17, R19, R21, V15
- Pin list for VDD_ARM (7000mA):
- V15
- Pin list for VDD_INT (2500mA):
- V15
- Pin list for VDD_GND (4000mA):
- AA27, AA29, AA31, AB17, AB21, AB23, AB25, AB27, AB29, AB31, AB33, AC17, AC19, AD17, AD19, AD21, AD23, AD25, AD27, AD29, AD31, AE27, AE29, AE31, AF27, AF29, AF31, AF33, AF35, AF37, AF39, AF41, AG25, AG27, AG29, AG31, AG33, AG35, AG37, AG39, AG41, AG43, AH25, AH27, AH29, AH31, AH33, AJ21, AJ23, AJ25, AJ27, AJ29, AJ31, AK21, AK23, AK25, AK27, AK29, AL21, AL23, AL25, AL27, AL29, AL31, AL33, AL35, AL37, AL39, AL41, AL43, AL45, AL47, AL49, AL51, AL53, AL55, AL57, AL59, AL61, AL63, AL65, AL67, AL69, AL71, AL73, AL75, AL77, AL79, AL81, AL83, AL85, AL87, AL89, AL91, AL93, AL95, AL97, AL99, AL101, AL103, AL105, AL107, AL109, AL111, AL113, AL115, AL117, AL119, AL121, AL123, AL125, AL127, AL129, AL131, AL133, AL135, AL137, AL139, AL141, AL143, AL145, AL147, AL149, AL151, AL153, AL155, AL157, AL159, AL161, AL163, AL165, AL167, AL169, AL171, AL173, AL175, AL177, AL179, AL181, AL183, AL185, AL187, AL189, AL191, AL193, AL195, AL197, AL199, AL201, AL203, AL205, AL207, AL209, AL211, AL213, AL215, AL217, AL219, AL221, AL223, AL225, AL227, AL229, AL231, AL233, AL235, AL237, AL239, AL241, AL243, AL245, AL247, AL249, AL251, AL253, AL255, AL257, AL259, AL261, AL263, AL265, AL267, AL269, AL271, AL273, AL275, AL277, AL279, AL281, AL283, AL285, AL287, AL289, AL291, AL293, AL295, AL297, AL299, AL301, AL303, AL305, AL307, AL309, AL311, AL313, AL315, AL317, AL319, AL321, AL323, AL325, AL327, AL329, AL331, AL333, AL335, AL337, AL339, AL341, AL343, AL345, AL347, AL349, AL351, AL353, AL355, AL357, AL359, AL361, AL363, AL365, AL367, AL369, AL371, AL373, AL375, AL377, AL379, AL381, AL383, AL385, AL387, AL389, AL391, AL393, AL395, AL397, AL399, AL401, AL403, AL405, AL407, AL409, AL411, AL413, AL415, AL417, AL419, AL421, AL423, AL425, AL427, AL429, AL431, AL433, AL435, AL437, AL439, AL441, AL443, AL445, AL447, AL449, AL451, AL453, AL455, AL457, AL459, AL461, AL463, AL465, AL467, AL469, AL471, AL473, AL475, AL477, AL479, AL481, AL483, AL485, AL487, AL489, AL491, AL493, AL495, AL497, AL499, AL501, AL503, AL505, AL507, AL509, AL511, AL513, AL515, AL517, AL519, AL521, AL523, AL525, AL527, AL529, AL531, AL533, AL535, AL537, AL539, AL541, AL543, AL545, AL547, AL549, AL551, AL553, AL555, AL557, AL559, AL561, AL563, AL565, AL567, AL569, AL571, AL573, AL575, AL577, AL579, AL581, AL583, AL585, AL587, AL589, AL591, AL593, AL595, AL597, AL599, AL601, AL603, AL605, AL607, AL609, AL611, AL613, AL615, AL617, AL619, AL621, AL623, AL625, AL627, AL629, AL631, AL633, AL635, AL637, AL639, AL641, AL643, AL645, AL647, AL649, AL651, AL653, AL655, AL657, AL659, AL661, AL663, AL665, AL667, AL669, AL671, AL673, AL675, AL677, AL679, AL681, AL683, AL685, AL687, AL689, AL691, AL693, AL695, AL697, AL699, AL701, AL703, AL705, AL707, AL709, AL711, AL713, AL715, AL717, AL719, AL721, AL723, AL725, AL727, AL729, AL731, AL733, AL735, AL737, AL739, AL741, AL743, AL745, AL747, AL749, AL751, AL753, AL755, AL757, AL759, AL761, AL763, AL765, AL767, AL769, AL771, AL773, AL775, AL777, AL779, AL781, AL783, AL785, AL787, AL789, AL791, AL793, AL795, AL797, AL799, AL801, AL803, AL805, AL807, AL809, AL811, AL813, AL815, AL817, AL819, AL821, AL823, AL825, AL827, AL829, AL831, AL833, AL835, AL837, AL839, AL841, AL843, AL845, AL847, AL849, AL851, AL853, AL855, AL857, AL859, AL861, AL863, AL865, AL867, AL869, AL871, AL873, AL875, AL877, AL879, AL881, AL883, AL885, AL887, AL889, AL891, AL893, AL895, AL897, AL899, AL901, AL903, AL905, AL907, AL909, AL911, AL913, AL915, AL917, AL919, AL921, AL923, AL925, AL927, AL929, AL931, AL933, AL935, AL937, AL939, AL941, AL943, AL945, AL947, AL949, AL951, AL953, AL955, AL957, AL959, AL961, AL963, AL965, AL967, AL969, AL971, AL973, AL975, AL977, AL979, AL981, AL983, AL985, AL987, AL989, AL991, AL993, AL995, AL997, AL999
- Pin list for VDD_GSDS:
- AB19, AB29, AF19, AF29, AK23, AK29

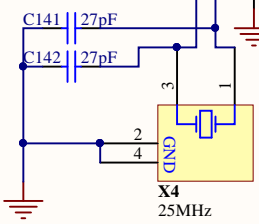
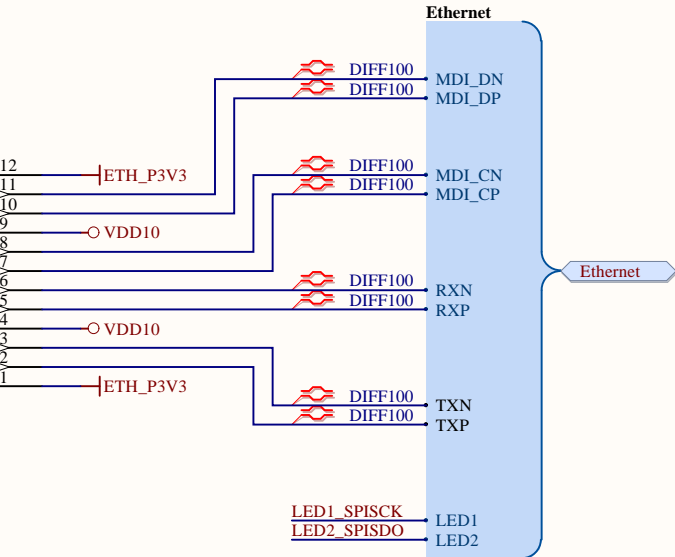
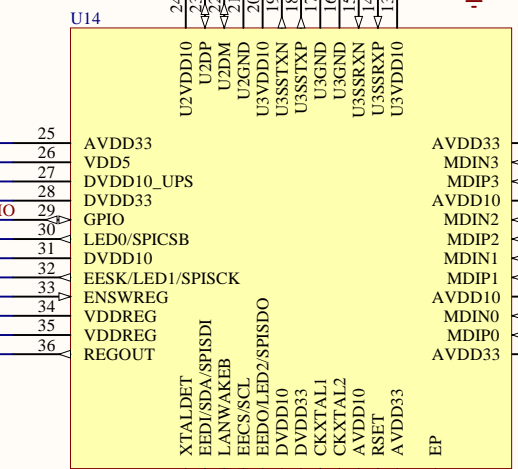
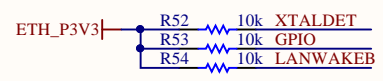
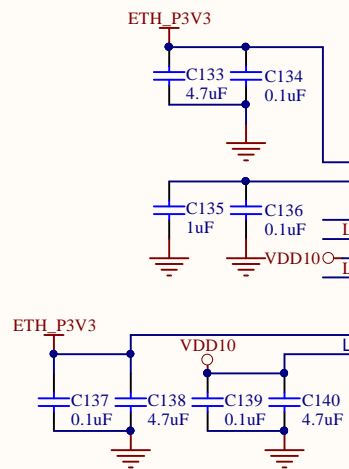
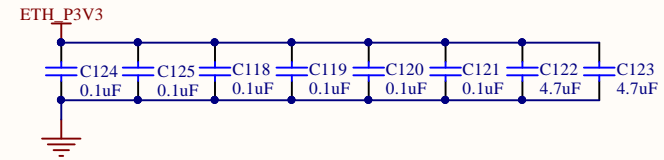
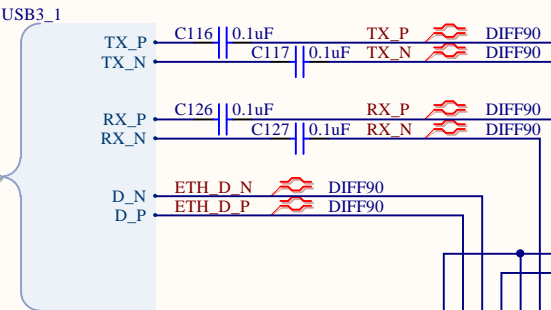
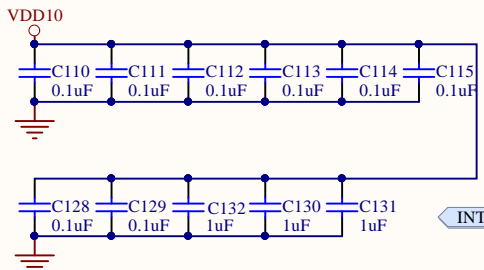


A1	VSS	A1	VSS
A10	VSS	A10	VSS
A11	VSS	A11	VSS
AA10	VSS	AA12	VSS
AA12	VSS	AA12	VSS
AA30	VSS	AA32	VSS
AB1	VSS	AB26	VSS
AB2	VSS	AB34	VSS
AB26	VSS	AC22	VSS
AC20	VSS	AC30	VSS
AC28	VSS	AD26	VSS
AD24	VSS	AD33	VSS
AD32	VSS	AE18	VSS
AH16	VSS	AE26	VSS
AE24	VSS	AE33	VSS
AE32	VSS	AF14	VSS
AF2	VSS	AF28	VSS
AF26	VSS	AG14	VSS
AG2	VSS	AH1	VSS
AG34	VSS	AH20	VSS
AH16	VSS	AH28	VSS
AH26	VSS	AH34	VSS
AH33	VSS	AH8	VSS
AH2	VSS	AK26	VSS
AJ2	VSS	AK3	VSS
AJ2	VSS	AK28	VSS
AK18	VSS	AK34	VSS
AK26	VSS	AL20	VSS
AK3	VSS	AL28	VSS
AL20	VSS	AL30	VSS
AL28	VSS	AM1	VSS
AM18	VSS	AM26	VSS
AM26	VSS	AM28	VSS
AM31	VSS	AN18	VSS
AN18	VSS	AN26	VSS
AN31	VSS	AN34	VSS
AP9	VSS	AP15	VSS
AP18	VSS	AP31	VSS
AP4	VSS	AP4	VSS
AP34	VSS	AR21	VSS
AR3	VSS	AR34	VSS
AR33	VSS	AT19	VSS
AT14	VSS	AT32	VSS
AT40	VSS	AU1	VSS
AH1	VSS	AU2	VSS
AU3	VSS	AU6	VSS
AU10	VSS	AU11	VSS
AU18	VSS	AU20	VSS
AU26	VSS	AU32	VSS
AV1	VSS	AV2	VSS
AV15	VSS	AV20	VSS
AV33	VSS	AV34	VSS
B4	VSS	B25	VSS
B34	VSS	C1	VSS
C16	VSS	C34	VSS
D29	VSS	D20	VSS
D34	VSS	E2	VSS
E30	VSS	E31	VSS
E1	VSS	E5	VSS
F22	VSS	F23	VSS
F26	VSS	F27	VSS
F30	VSS	F32	VSS
G5	VSS	G15	VSS
G20	VSS	G2	VSS
H12	VSS	H14	VSS
H20	VSS	H22	VSS
H25	VSS	H26	VSS
H30	VSS	H32	VSS
J10	VSS	J12	VSS
J18	VSS	J20	VSS
J30	VSS	J32	VSS
K10	VSS	K13	VSS
K18	VSS	K20	VSS
K35	VSS	K36	VSS
K40	VSS	K42	VSS
L10	VSS	L12	VSS
L18	VSS	L20	VSS
L30	VSS	L32	VSS
M10	VSS	M2	VSS
M3	VSS	M3	VSS
M32	VSS	M33	VSS
M42	VSS	N14	VSS
N12	VSS	N2	VSS
N20	VSS	N32	VSS
N49	VSS	P25	VSS
P2	VSS	P33	VSS
R12	VSS	R14	VSS
R20	VSS	R2	VSS
R29	VSS	R3	VSS
T25	VSS	R31	VSS
T34	VSS	T27	VSS
U32	VSS	U10	VSS
V12	VSS	U33	VSS
V30	VSS	V30	VSS
W10	VSS	V51	VSS
Y9	VSS	W12	VSS
Y26	VSS	Y17	VSS
		Y28	VSS
			VSS

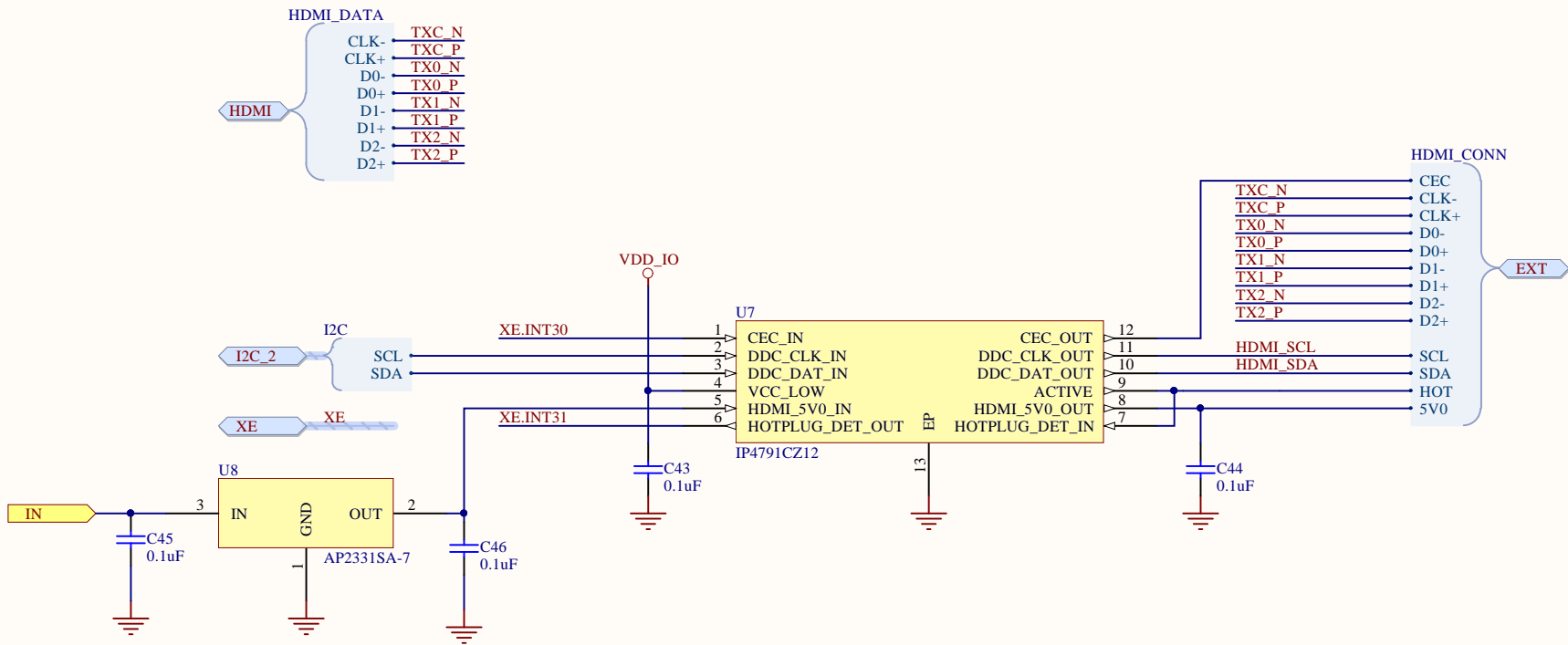
Y22	NC0	NC39	AA13
Y20	NC1	NC40	AA15
Y19	NC2	NC41	AA16
Y18	NC3	NC42	AA17
Y17	NC4	NC43	AA18
Y16	NC5	NC44	AA19
Y14	NC6	NC45	AA21
W19	NC7	NC46	AB14
W19	NC8	NC47	AB16
W18	NC9	NC48	AB18
W17	NC10	NC49	AB20
W16	NC11	NC50	AB22
W15	NC12	NC51	AC13
W13	NC13	NC52	AC15
W23	NC14	NC53	AC17
V23	NC15	NC54	AC19
V19	NC16	NC55	AC21
V18	NC17	NC56	AD14
V17	NC18	NC57	AD16
V16	NC19	NC58	AD18
V14	NC20	NC59	AD20
U21	NC21	NC60	AD22
U19	NC22	NC61	R14
U17	NC23	NC62	R15
U15	NC24	NC63	R17
U13	NC25	NC64	R19
T22	NC26	NC65	R31
T20	NC27	NC66	T4
T18	NC28	NC67	T16
T18	NC29	NC68	T18
N13	NC30	NC69	AF16
N15	NC31	NC70	P28
N17	NC32	NC71	AF18
N19	NC33	NC72	P14
C1	NC34	NC73	P25
AE17	NC35	NC74	AF20
AE19	NC36	NC75	P16
AE21	NC37	NC76	AF14
AE13	NC38	NC77	AF22
AE15	NC39	NC78	P18

BSE420_POP



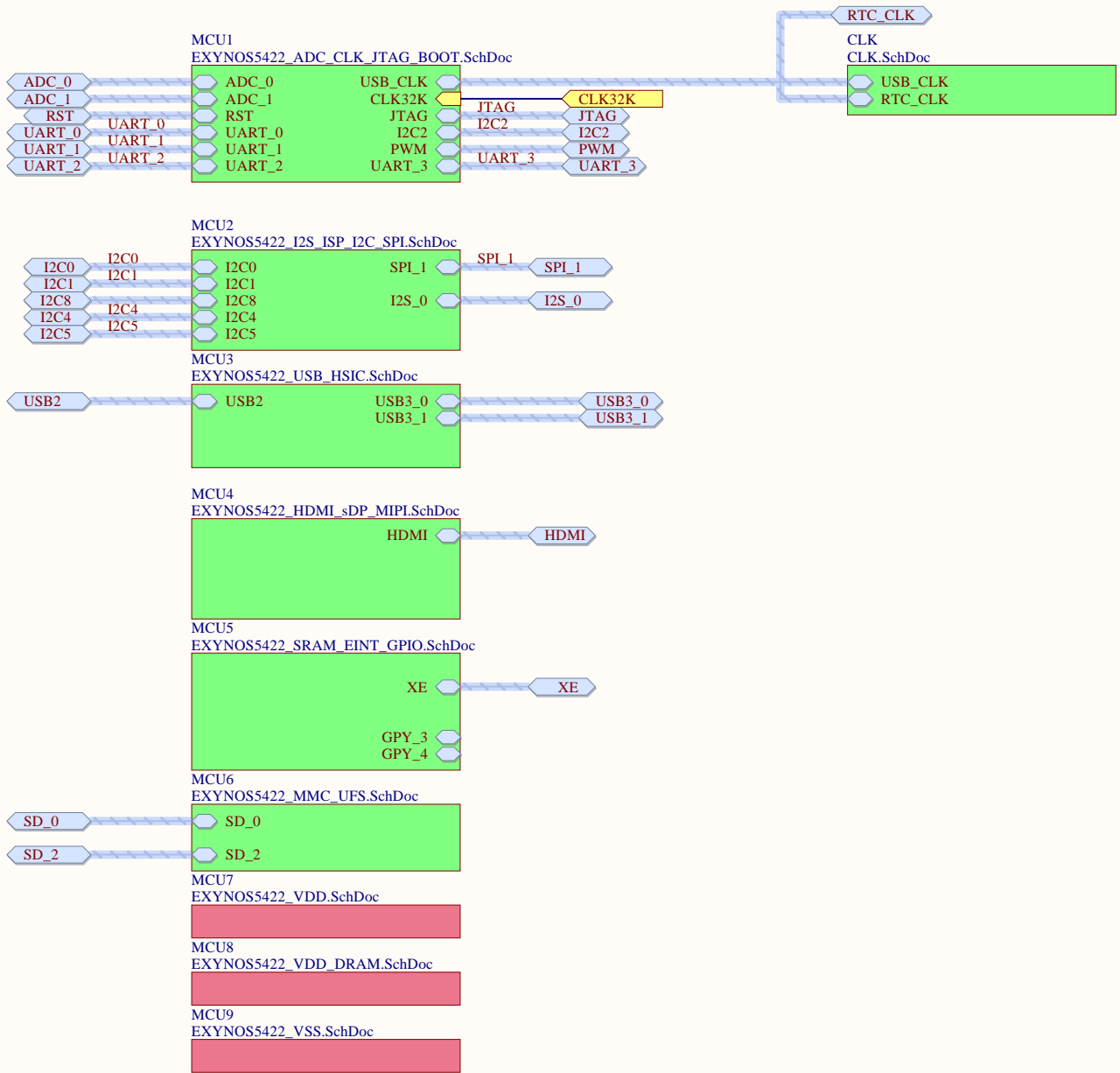


Title Giga Ethernet USB3.0 RT8153-VB			Hardkernel Co.,LTD. 475-1 Manangu Manangu, Anyang City Gyeonggido South Korea	
Size: A4	Number:14.	Revision:0.1	Designed by: ruppi kim@hardkernel.com	
Date: 2016-02-05	Time: 오전 10:08:58	Sheet 20 of 33		
File: GIGA_ETHERNET_PHY_RT8153-VB-CG.SchDoc				

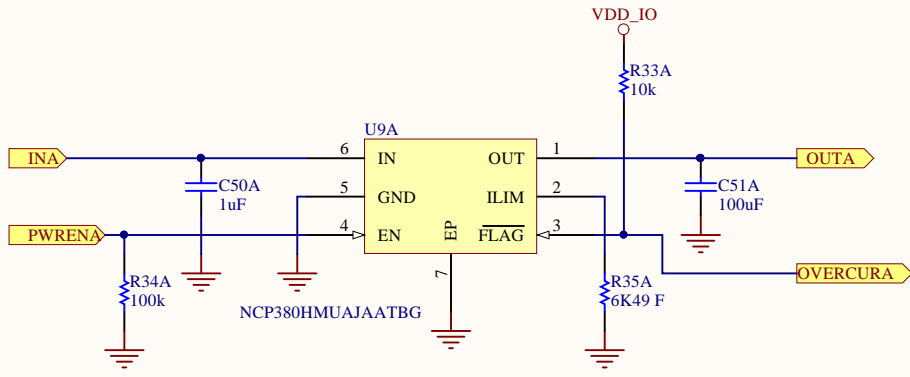


Title HDMI I2C		Hardkernel Co.,LTD. 475-1 Mananro Manangu, Anyang City Gyeonggido South Korea	
Size: A4	Number:20.	Revision:0.1	
Date: 2016-02-05	Time: 오전 10:08:58	Sheet 21 of 33	
File: HDMI_I2C.SchDoc		Designed by: ruppi kim@hardkernel.com	

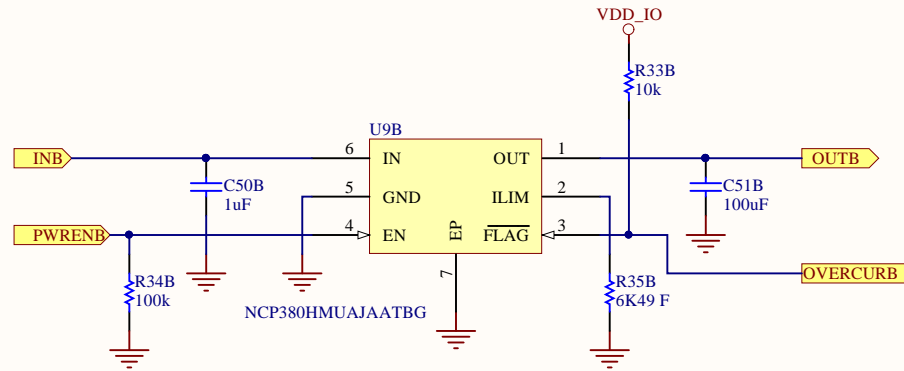





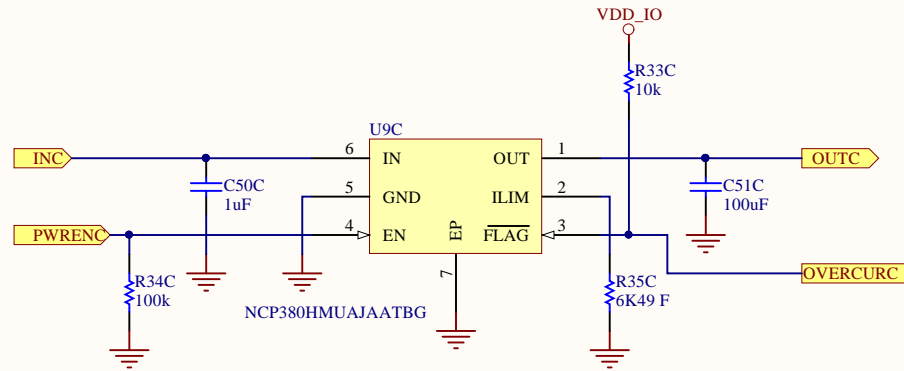
Title MCU EXYNOS5422		Hardkernel Co.,LTD. 475-1 Mananro Manangu, Anyang City Gyeonggido South Korea		
Size: A4	Number: 1.	Revision: 0.1		
Date: 2016-02-05	Time: 오전 10:08:58	Sheet 22 of 33		
File: MCU_EXYNOS5422.SchDoc		Designed by: ruppi kim@hardkernel.com		




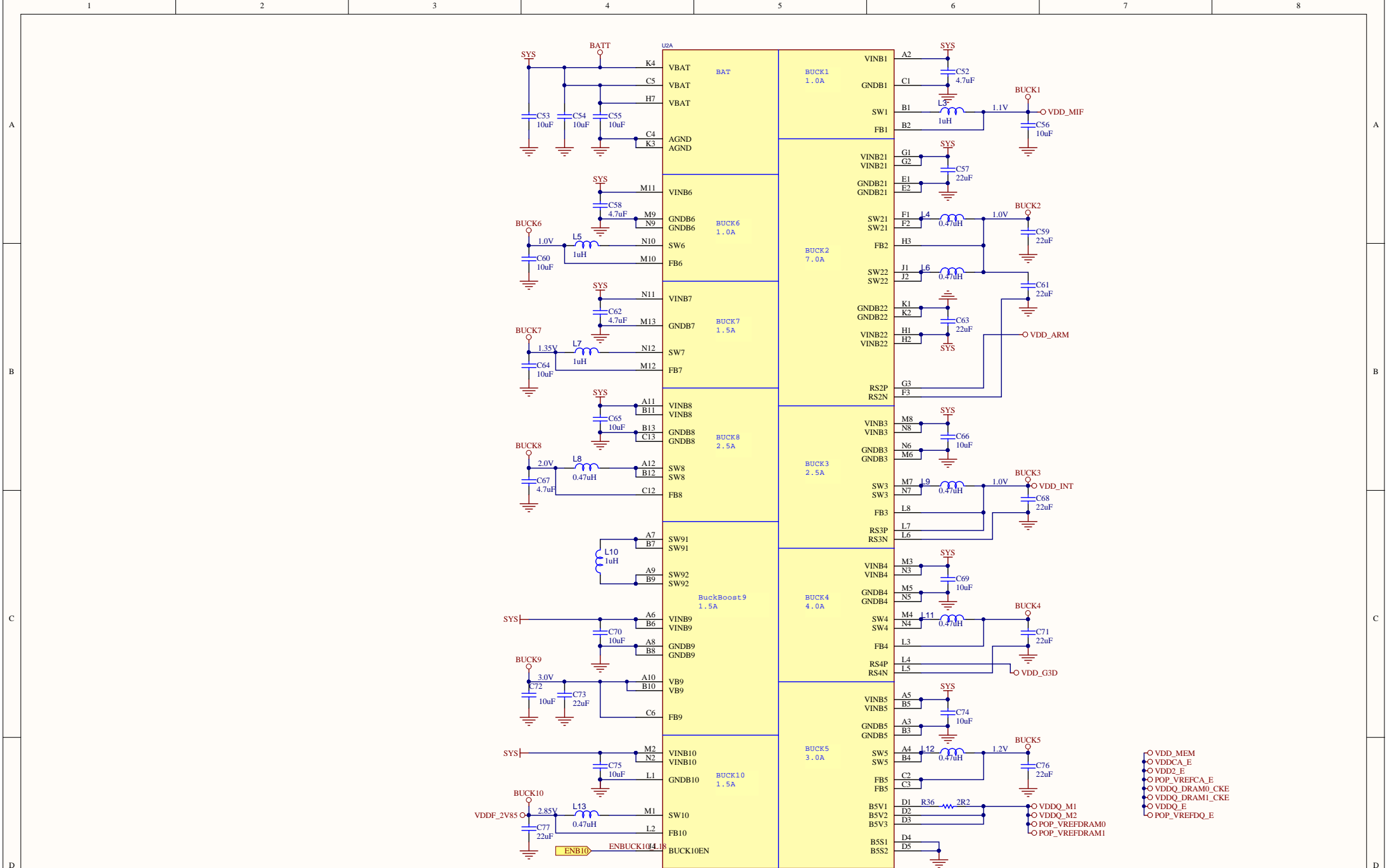
Title USB HOST Power Switch			Hardkernel Co.,LTD. 475-1 Mananro Manangu, Anyang City Gyeonggido South Korea	
Size: A4	Number:16.	Revision:0.1		
Date: 2016-02-05	Time: 오전 10:08:50	Sheet 23 of 33	Designed by: ruppi.kim@hardkernel.com	
File: NCP380HM.SchDoc				



Title USB HOST Power Switch			Hardkernel Co.,LTD. 475-1 Mananro Manangu, Anyang City Gyeonggido South Korea	
Size: A4	Number: 16.1.1	Revision: 0.1		
Date: 2016-02-05	Time: 오전 10:08:58	Sheet 24 of 33	Designed by: ruppi.kim@hardkernel.com	
File: NCP380HM.SchDoc				

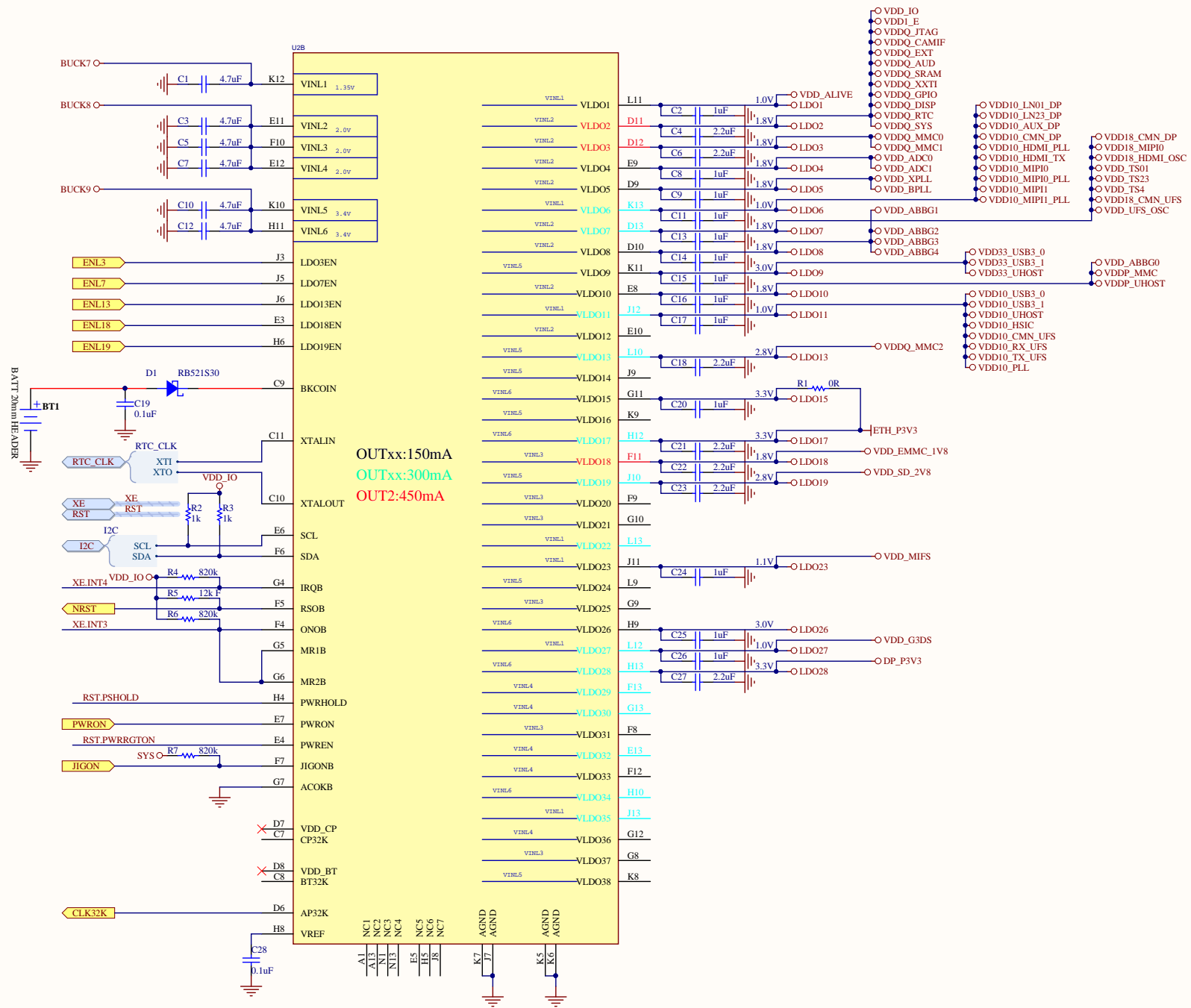


Title USB HOST Power Switch			Hardkernel Co.,LTD. 475-1 Mananro Manangu, Anyang City Gyeonggido South Korea	
Size: A4	Number:16.2.1	Revision:0.1		
Date: 2016-02-05	Time: 오전 10:08:50	Sheet 25 of 33	Designed by: ruppi.kim@hardkernel.com	
File: NCP380HM.SchDoc				

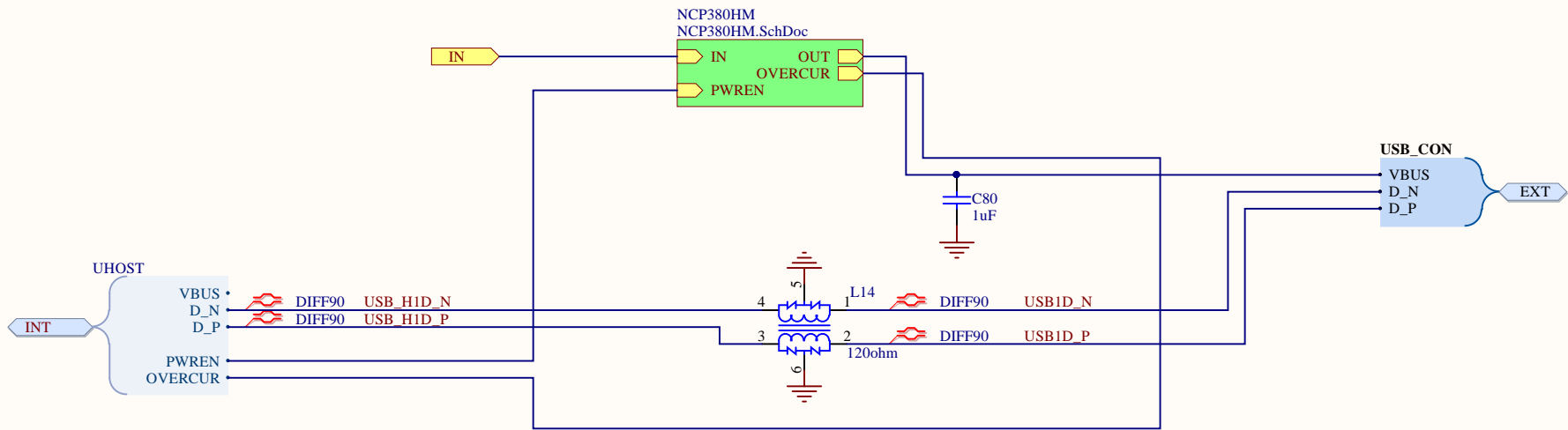


- VDD_MEM
- VDDCA_E
- VDD2_E
- POP_VREFCA_E
- VDDQ_DRAM0_CKE
- VDDQ_DRAM1_CKE
- VDDQ_E
- POP_VREFDQ_E

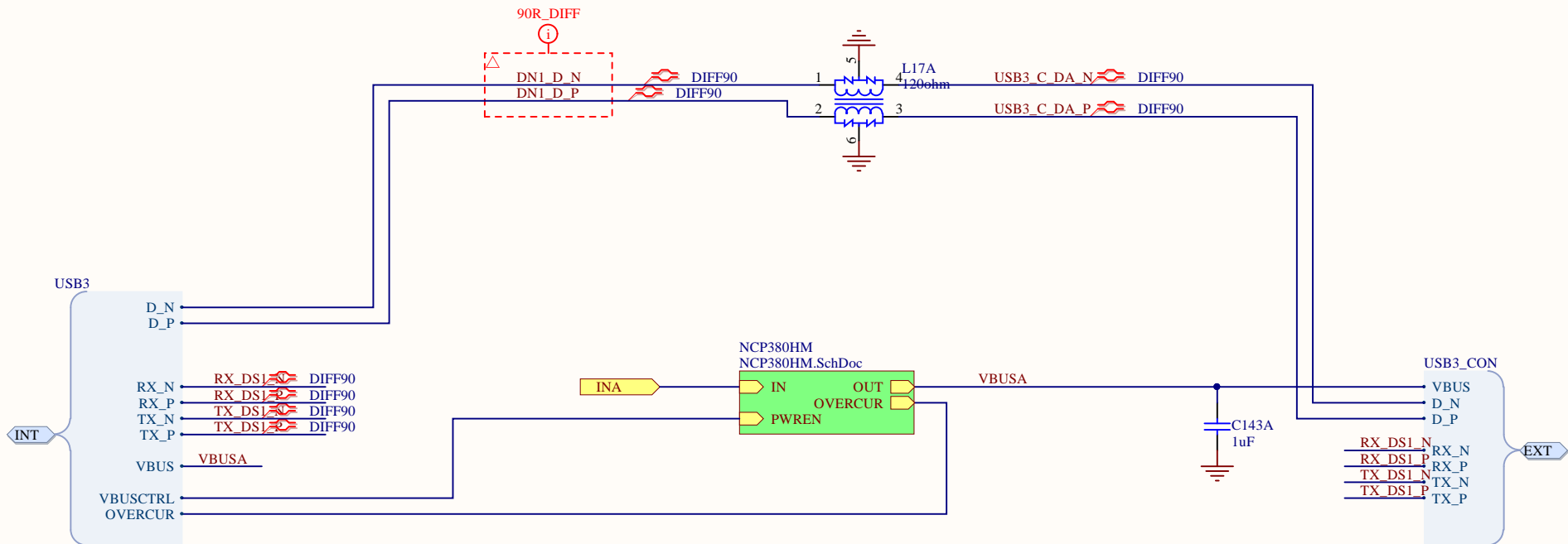




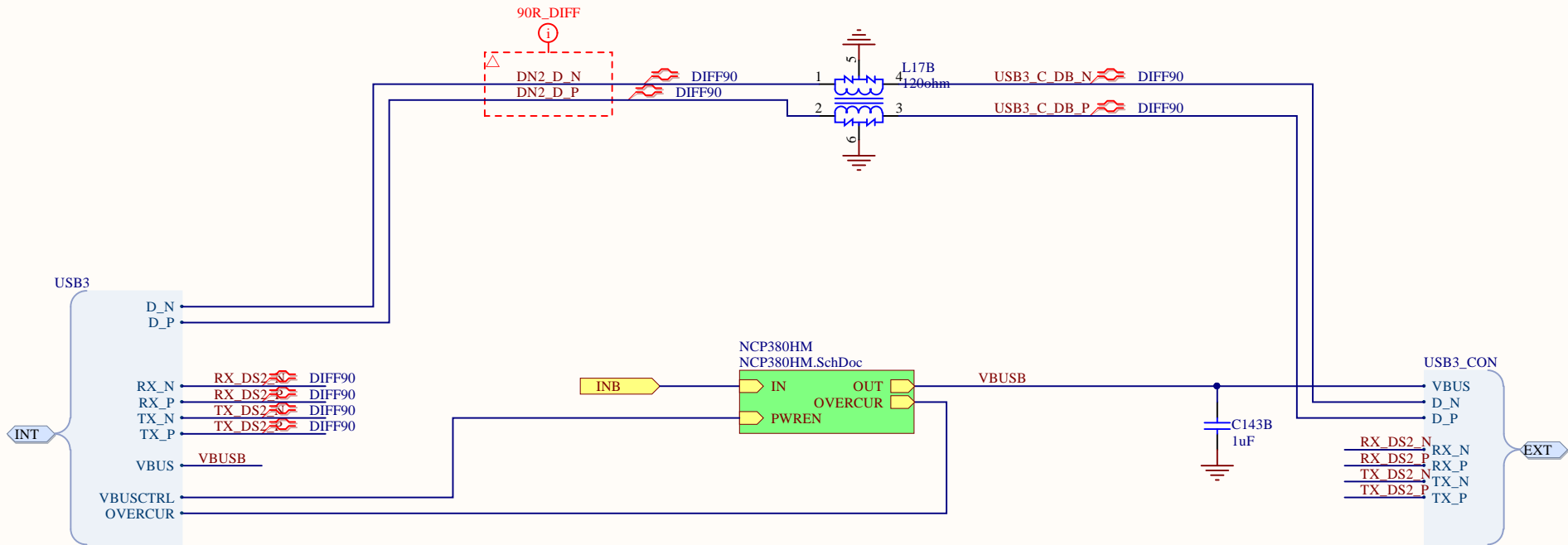
S2MPS11X_8
 I2C ADDR : 0xCC(FM) 0x0C(RTC)



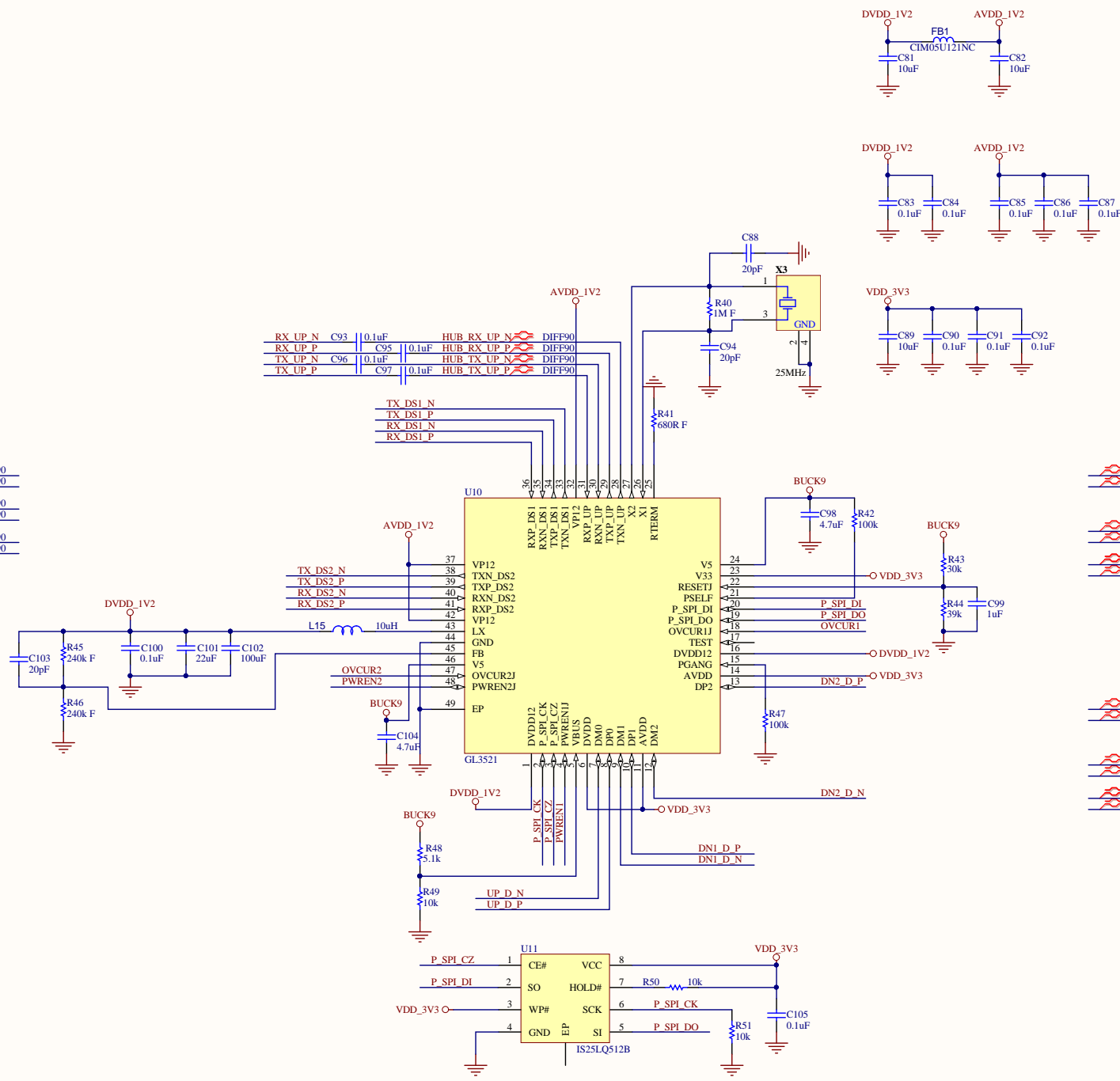
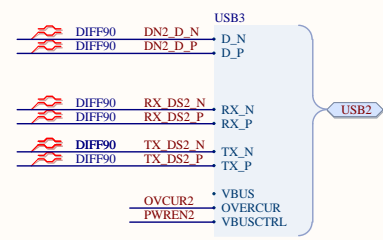
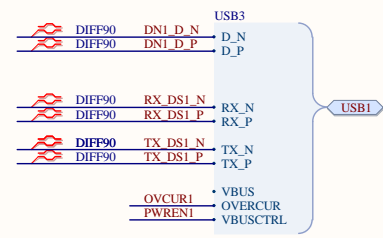
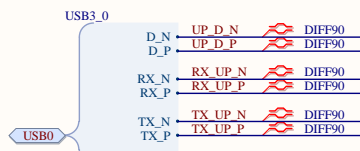
Title USB HOST PWR SW			Hardkernel Co.,LTD. 475-1 Mananro Manangu, Anyang City Gyeonggido South Korea	ARDROID
Size: A4	Number:28.	Revision:0.1		
Date: 2016-02-05	Time: 오전 10:08:55	Sheet:28 of 33		
File: USB2_HOST_PWR_SW.SchDoc			Designed by: ruppi kim@hardkernel.com	

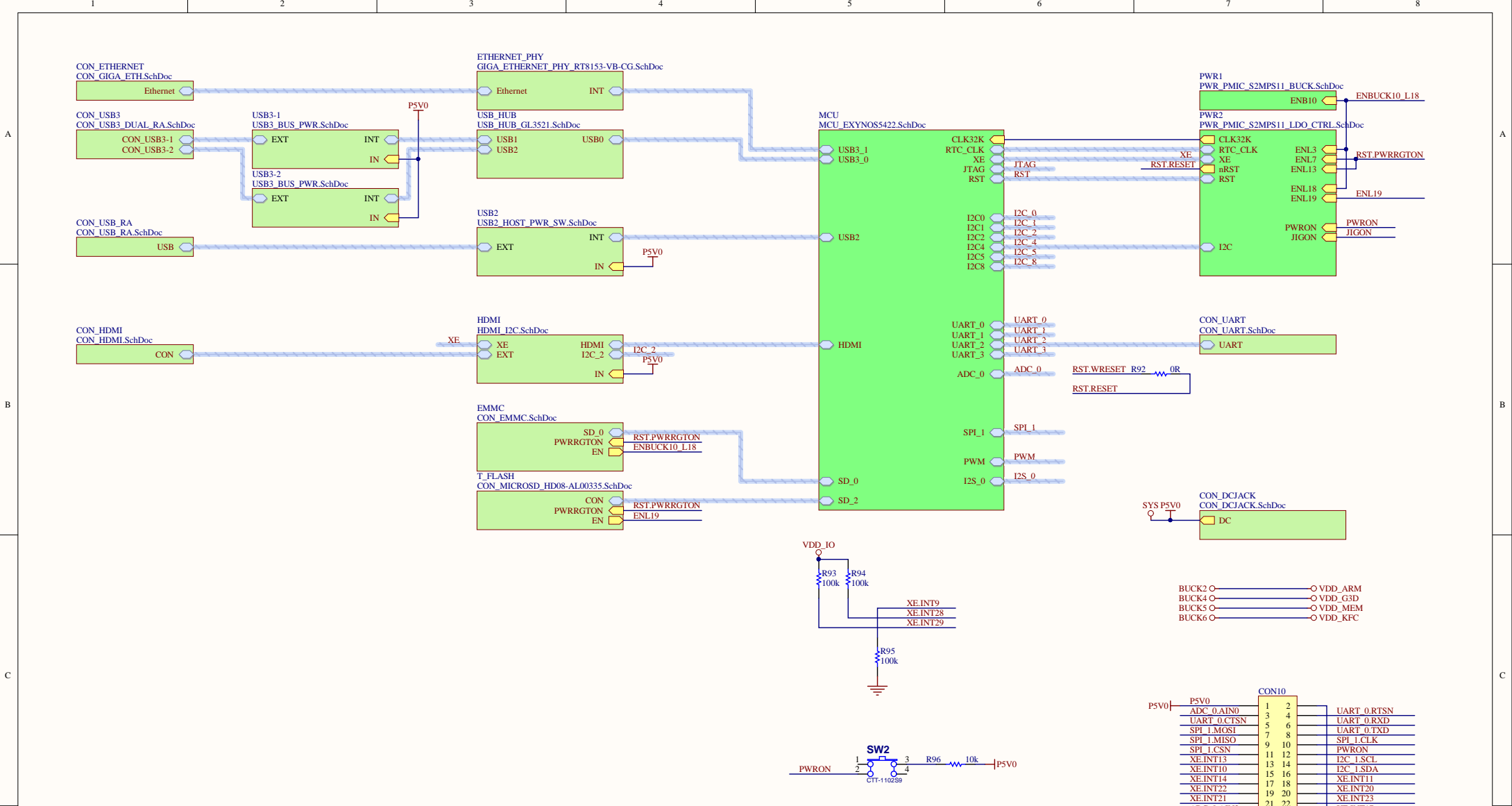


Title USB3 BUS POWER			Hardkernel Co.,LTD. 475-1 Mananro Manangu, Anyang City Gyeonggido South Korea	
Size: A4	Number:19.1	Revision:0.1		
Date: 2016-02-05	Time: 오전 10:08:55	Sheet:29 of 33		
File: USB3_BUS_PWR.SchDoc			Designed by: ruppi kim@hardkernel.com	

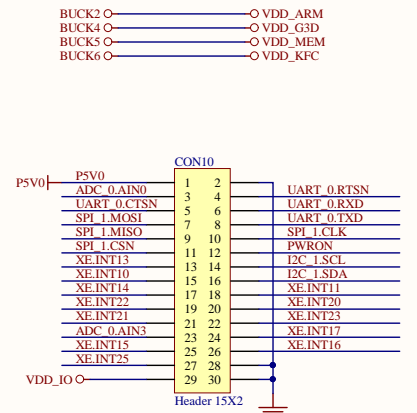
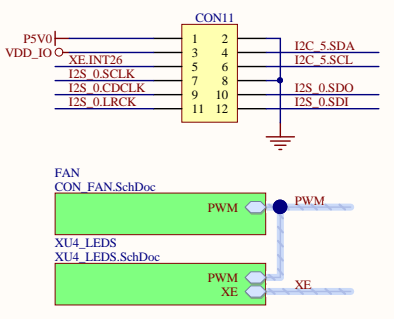
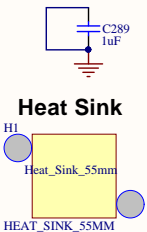


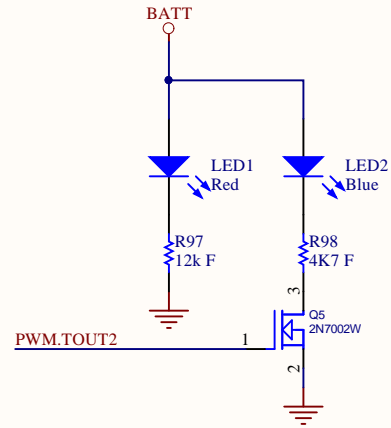
Title USB3 BUS POWER			Hardkernel Co.,LTD. 475-1 Mananro Manangu, Anyang City Gyeonggido South Korea	ARDROID
Size: A4	Number:19.2	Revision:0.1		
Date: 2016-02-05	Time: 오전 10:08:55	Sheet 30 of 33		
File: USB3_BUS_PWR.SchDoc			Designed by: ruppi kim@hardkernel.com	






- ### Mounting Holes
- MH1 MOUNTING HOLE 3MM
 - MH2 MOUNTING HOLE 3MM
 - MH3 MOUNTING HOLE 3MM
 - MH4 MOUNTING HOLE 3MM





Title Indicator LEDs			Hardkernel Co.,LTD. 475-1 Mananro Manangu, Anyang City Gyeonggido South Korea Designed by: ruppi.kim@hardkernel.com	
Size: A4	Number:25.	Revision:0.1		
Date: 2016-02-05	Time: 오전 10:08:55	Sheet:33 of 33		
File: XU4_LEDS.SchDoc				