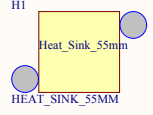


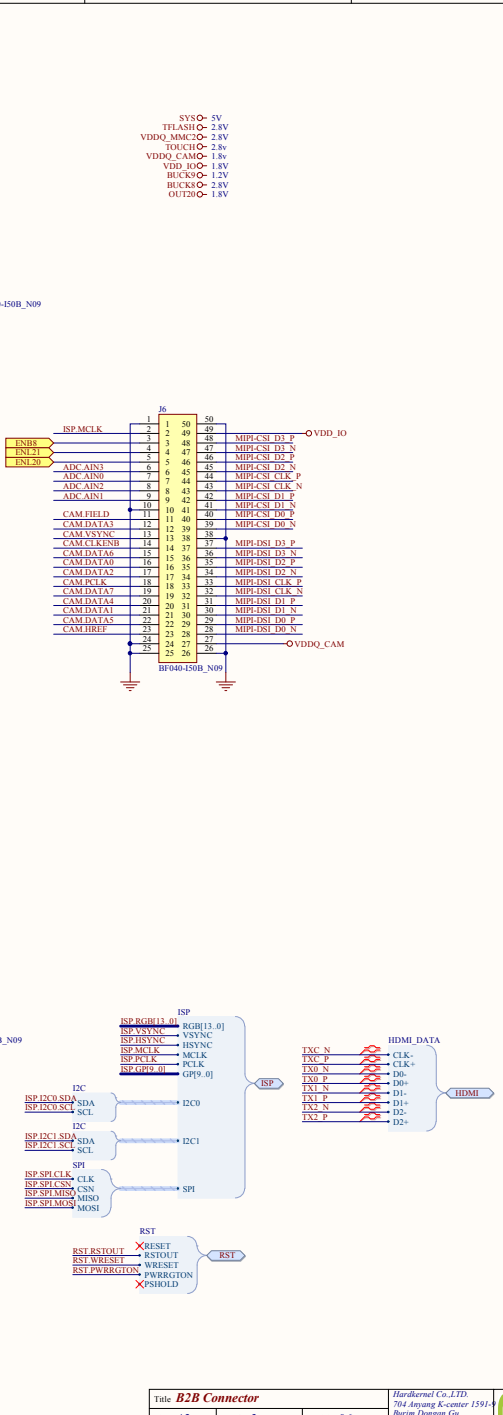
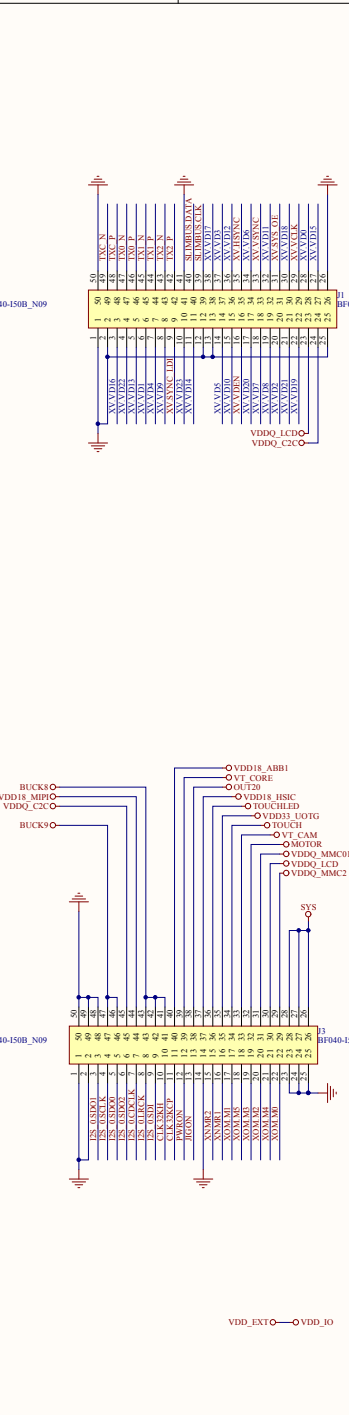
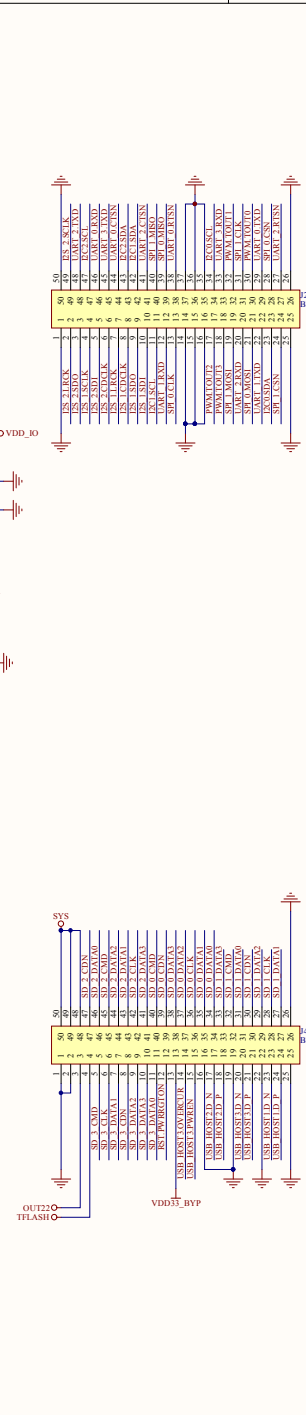
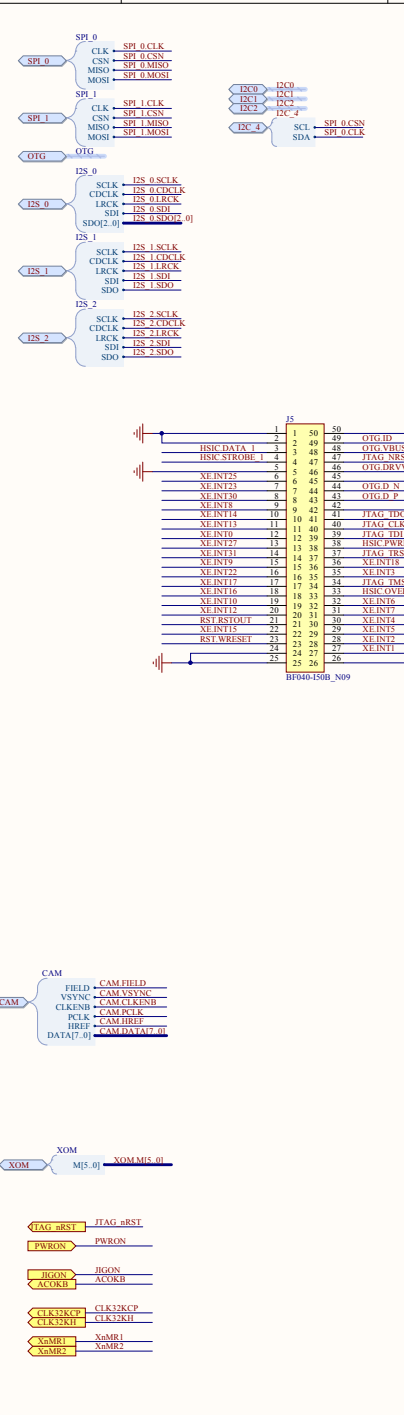
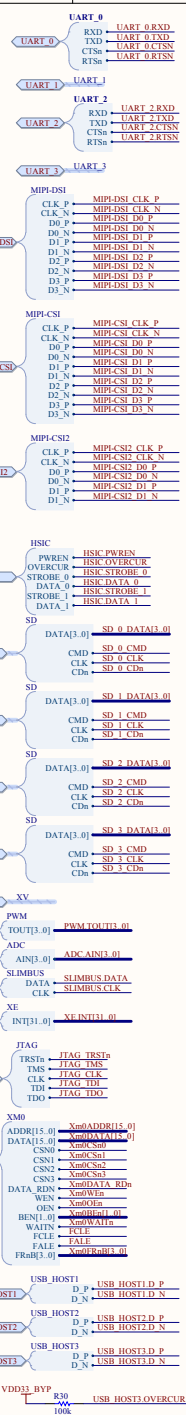
**Mounting Holes**

- MH1  
MOUNTING HOLE 3MM
- MH2  
MOUNTING HOLE 3MM
- MH3  
MOUNTING HOLE 3MM
- MH4  
MOUNTING HOLE 3MM

**Heat Sink**

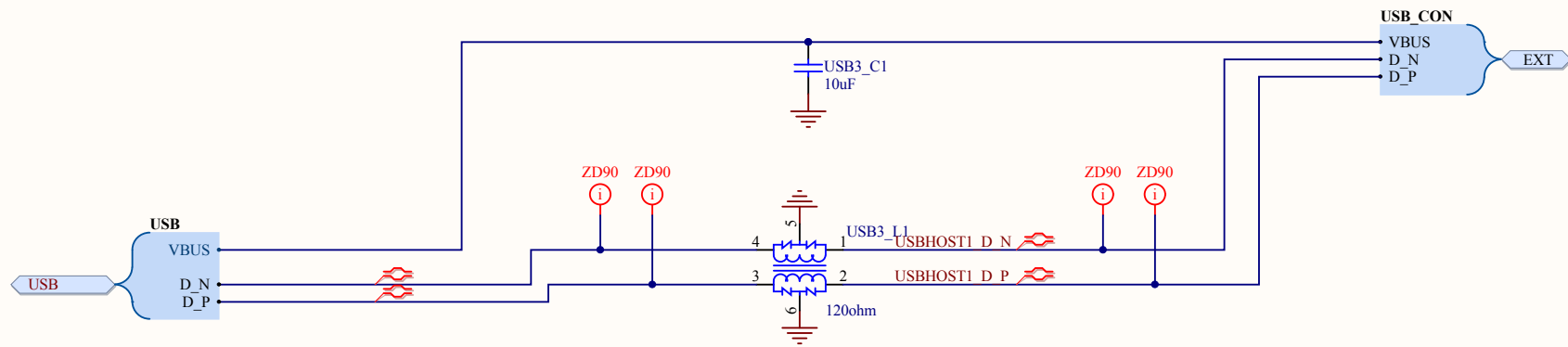



Title <b>ODROID-X BASE</b>			Hardkernel Co.,LTD. 704 Anyang K-center 1591-9 Burim, Donggangu, Anyang Gyeonggido South Korea	
Size: A3	Number: 1	Revision: 0.6	<b>ODROID</b>	
Date: 2014.07.16	Time: 오후 5:50:31	Sheet 1 of 21		
File: D:\hw\hkl\PC4PC-BASE\ODROID-X_BASE.SchDoc				

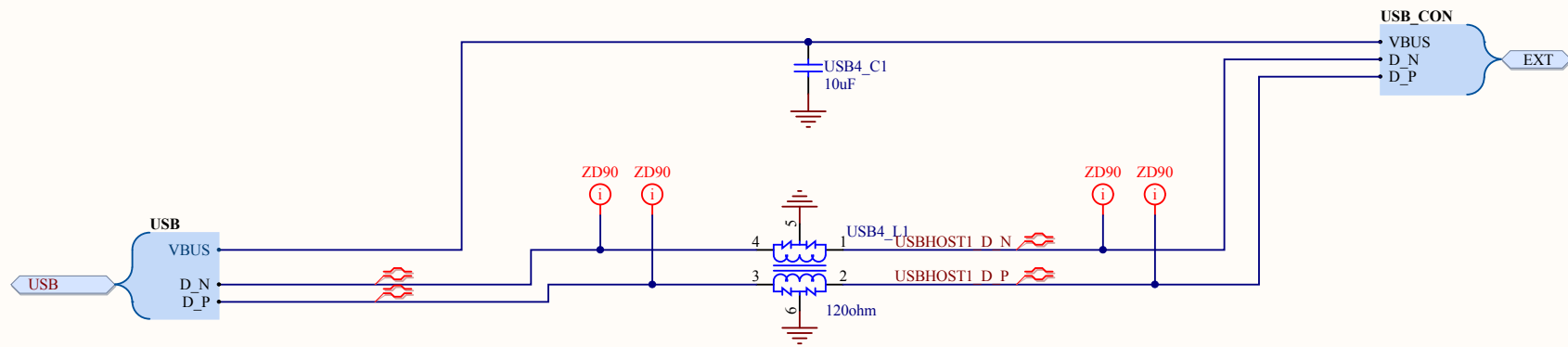



- SYS0 - 5V
- FLASH0 - 2.8V
- VDD0\_MMC0 - 2.8V
- TOUCH0 - 2.8V
- VDD0\_CAM - 1.8V
- VDD0\_EG0 - 1.8V
- BUCK0 - 1.2V
- BUCK1 - 2.8V
- OUT20 - 1.8V

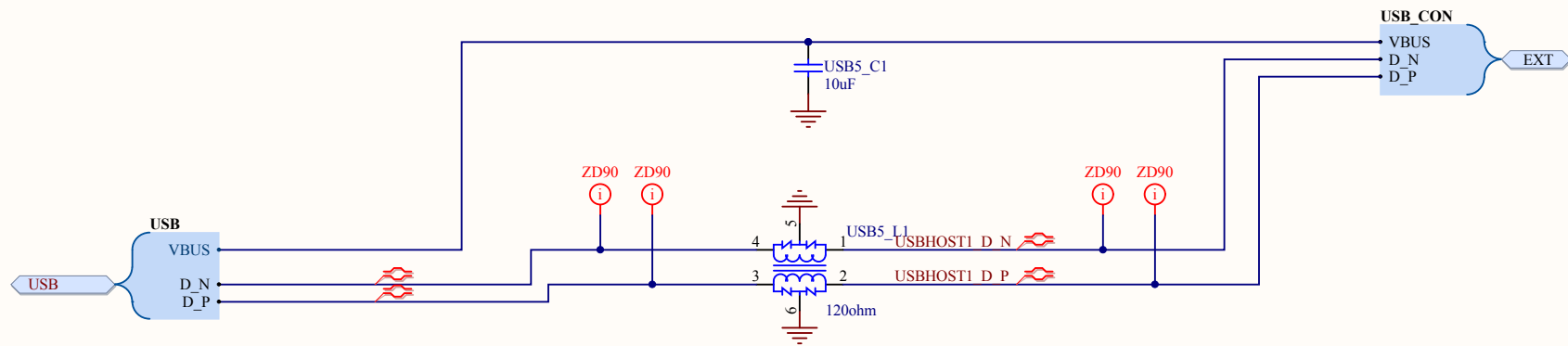





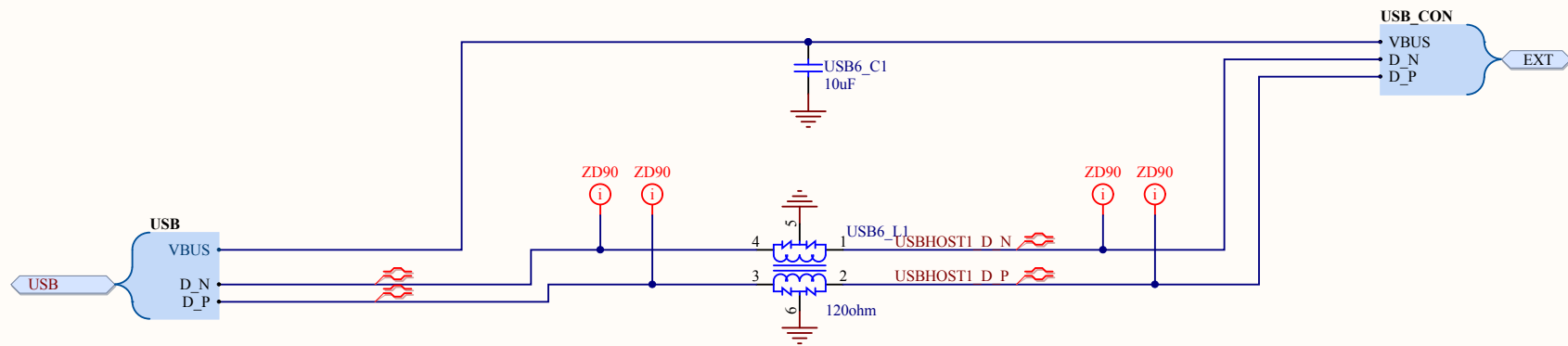
Title <b>USB HOST</b>			Hardkernel Co.,LTD. 1-605 Shinan Metrokhan 1115 Dalandong, Dongangu, Anyang Gyeonggido South Korea	
Size: A4	Number: 3	Revision: 0.6		
Date: 2014-07-16	Time: 오후 5:50:51	Sheet 3 of 21		
File: D:\hw\hkl\PC4PC-BASE\USB_HOST.SchDoc				




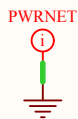
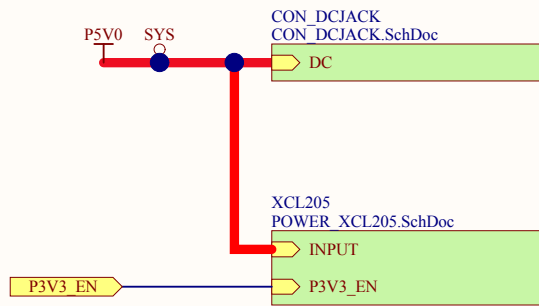
Title <b>USB HOST</b>			Hardkernel Co.,LTD. 1-605 Shinan Metrokhan 1115 Dalandong, Dongangu, Anyang Gyeonggido South Korea	
Size: A4	Number: 3	Revision: 0.6		
Date: 2014-07-16	Time: 오후 5:50:51	Sheet 3 of 21		
File: D:\hw\hkl\PC4PC-BASE\USB_HOST.SchDoc				



Title <b>USB HOST</b>			Hardkernel Co.,LTD. 1-605 Shinan Metrokhan 1115 Dalandong, Dongangu, Anyang Gyeonggido South Korea	
Size: A4	Number: 3	Revision: 0.6		
Date: 2014-07-16	Time: 오후 5:50:52	Sheet 3 of 21		
File: D:\hw\hkl\PC4PC-BASE\USB_HOST.SchDoc				

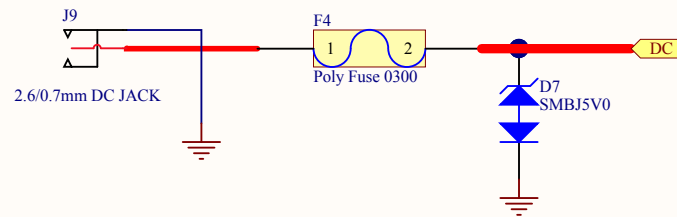



Title <b>USB HOST</b>			Hardkernel Co.,LTD. 1-605 Shinan Metrokhan 1115 Dalandong, Dongangu, Anyang Gyeonggido South Korea	
Size: A4	Number: 3	Revision: 0.6		
Date: 2014-07-16	Time: 오후 5:50:52	Sheet 3 of 21		
File: D:\hw\hkl\PC4PC-BASE\USB_HOST.SchDoc				



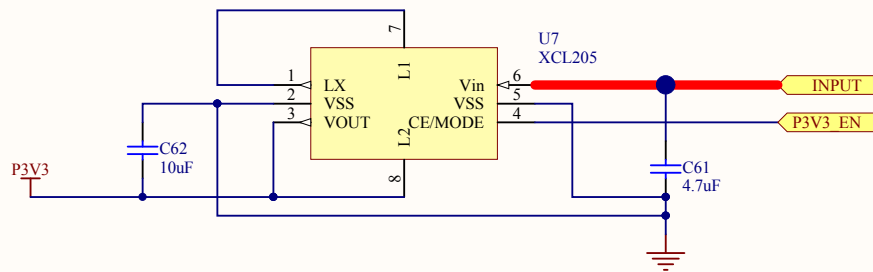
Title <b>POWER</b>		Hardkernel Co.,LTD. 1-605 Shinan Metrokhan 1115 Dalandong, Dongangu, Anyang Gyeonggido South Korea	
Size: A4	Number:4	Revision:0,6	
Date: 2014-07-16	Time: 오후 5:50:52	Sheet 4 of 21	
File: D:\hw\hkl\PC4PC-BASE\ODROID-X PSU.SchDoc			



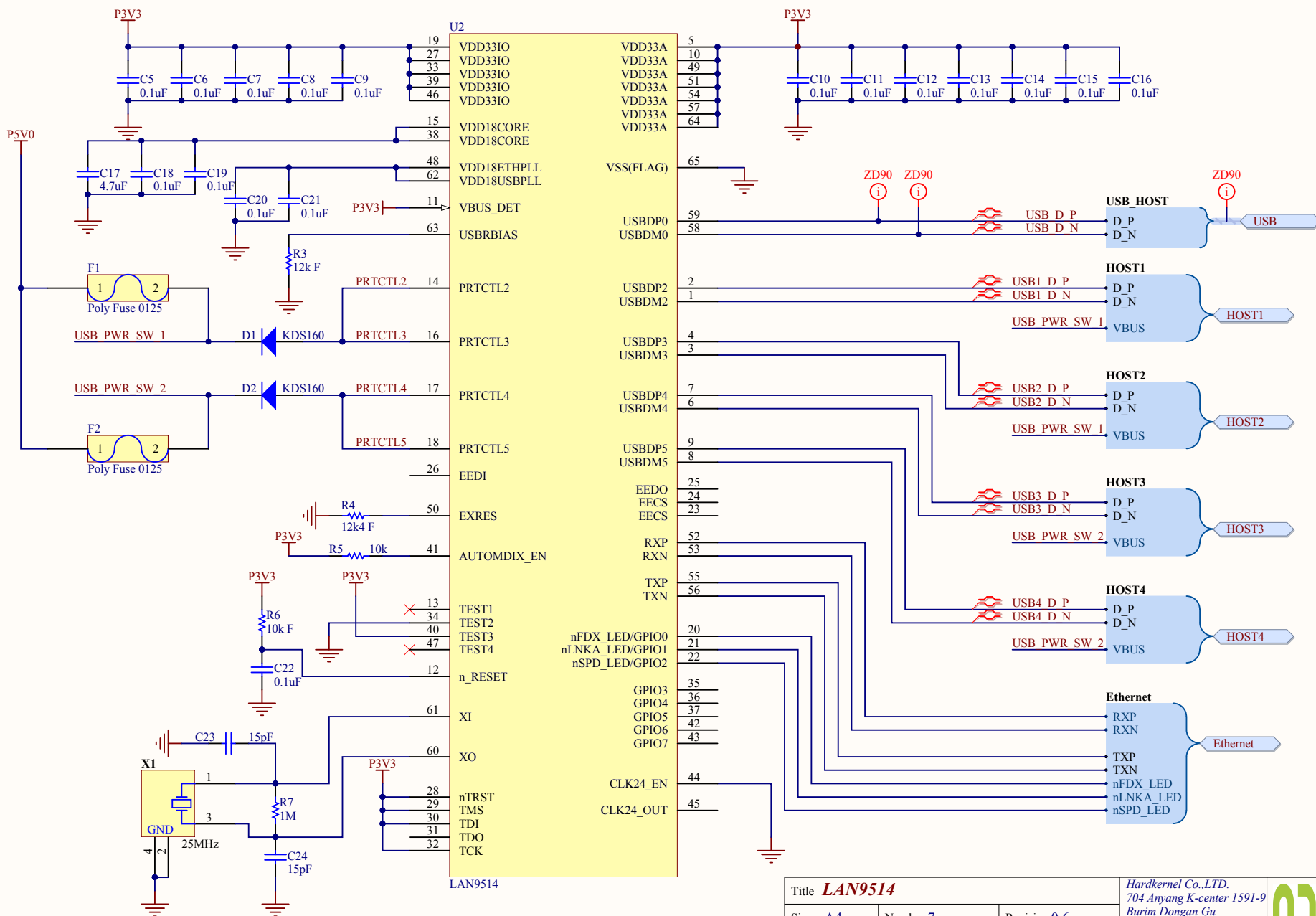


Title <b>DC Jack</b>			Hardkernel Co.,LTD. 704 Anyang K-center 1591-9 Burim, Dongangu, Anyang Gyeonggido South Korea	
Size: A4	Number:5	Revision:0.6		
Date: 2014-07-16	Time: 오후 5:50:52 Sheet 5 of 21			
File: D:\hw\hkl\PC4PC-BASE\CON_DCJACK.SchDoc				

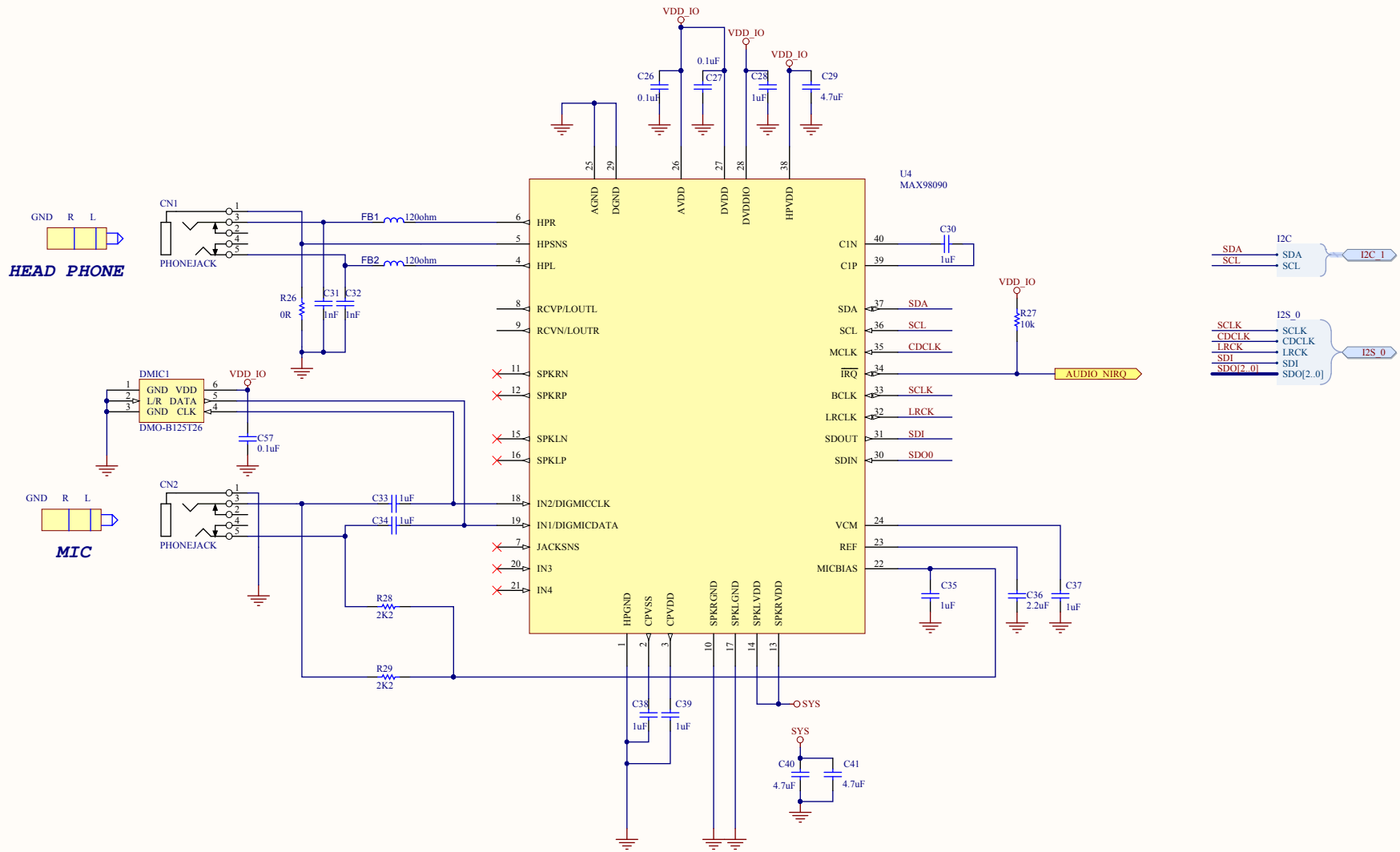


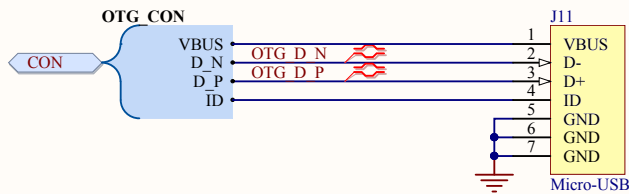


Title <b>POWER_XCL205</b>			Hardkernel Co.,LTD. 704 Anyang K-center 1591-9 Burim, Dongangu, Anyang Gyeonggido South Korea	
Size: A4	Number:6	Revision:0.6		
Date: 2014-07-16	Time: 오후 5:50:52		Sheet 6 of 21	
File: D:\hw\hkl\PC4PC-BASE\POWER_XCL205.SchDoc				



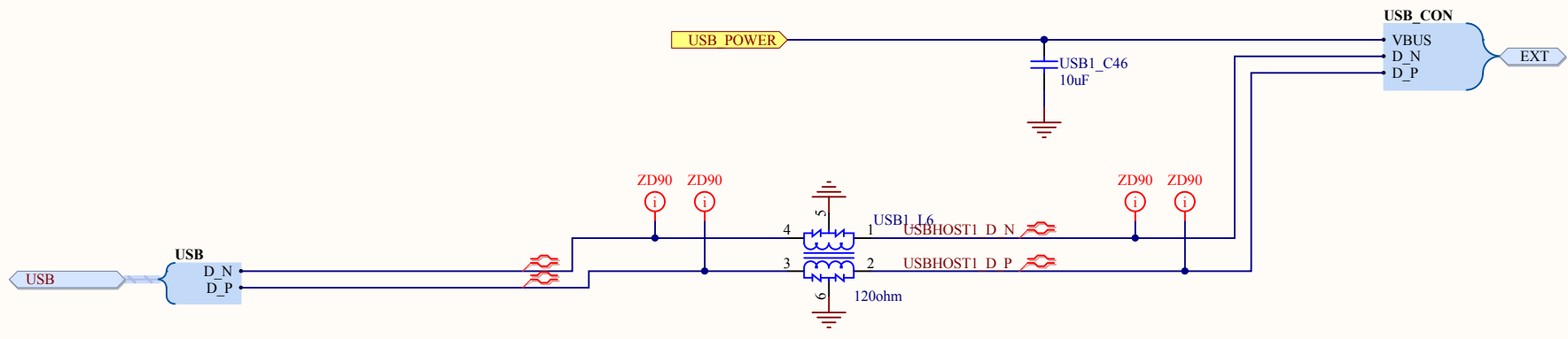
Title <b>LAN9514</b>		Hardkernel Co.,LTD. 704 Anyang K-center 1591-9 Burim Dongan Gu Gyeonggido South Korea	
Size: A4	Number: 7	Revision: 0.6	
Date: 2014-07-16	Time: 오후 5:50:52	Sheet 7 of 21	
File: D:\hw\hkl\PC4PC-BASE\USB_HUB_ETHERNET_LAN9514.SchDoc		<b>ODROID</b>	




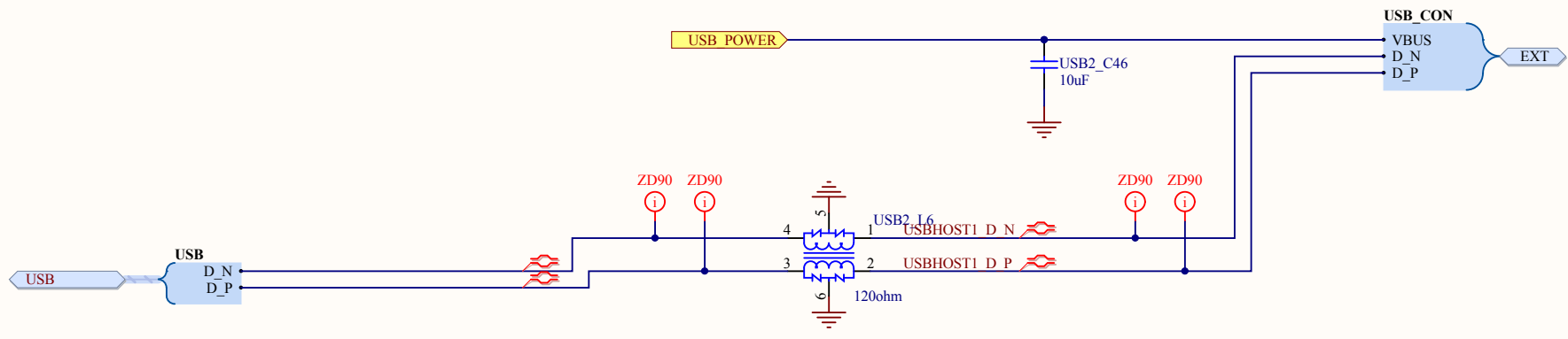


Title <b>Micro USB Connector</b>		Hardkernel Co.,LTD. 704 Anyang K-center 1591-9 Burim, Dongangu, Anyang Kyeonggido South Korea	
Size: A4	Number:9	Revision:0.6	
Date: 2014-07-16	Time: 오후 5:50:52		Sheet 9 of 21
File: D:\hw\hkl\PC4PC-BASE\CON_MICROUSB.SchDoc			



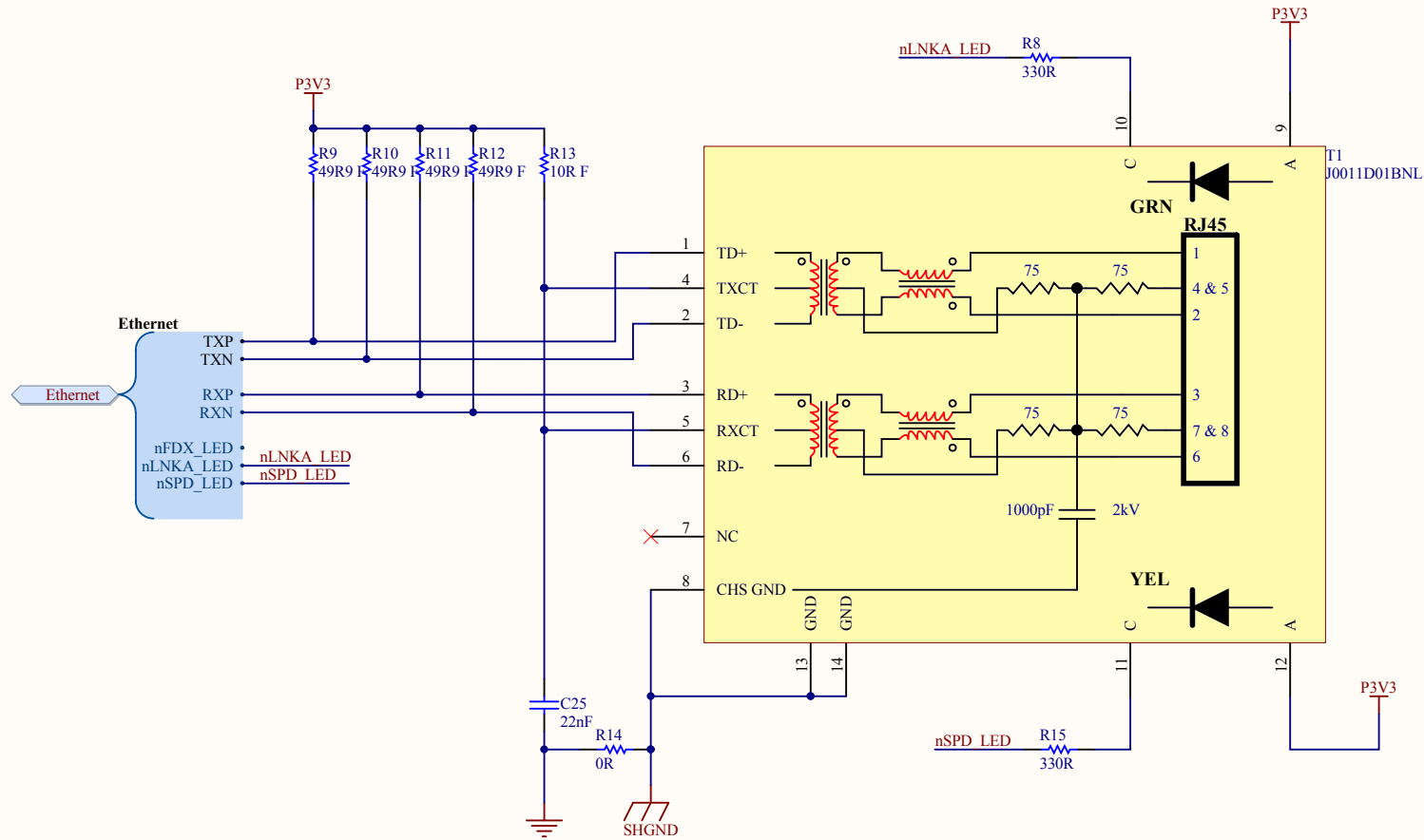


Title *			Hardkernel Co.,LTD. 704 Anyang K-center 1591-9 Burim, Dongangu, Anyang Gyeonggido South Korea	
Size: A4	Number: 10	Revision: 0.6		
Date: 2014-07-16	Time: 오후 5:50:52	Sheet 10 of 21		
File: D:\hw\hkl\PC4PC-BASE\USB_HOST_PWR_SW.SchDoc				



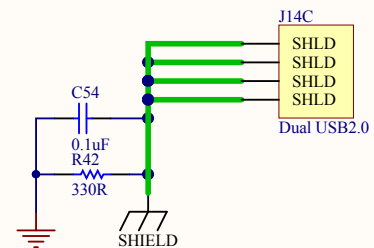
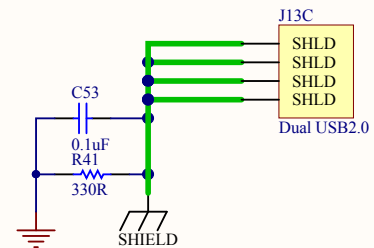
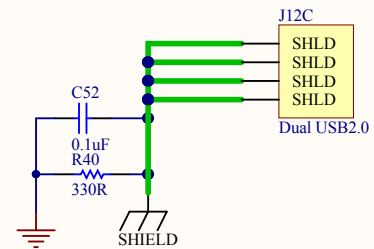
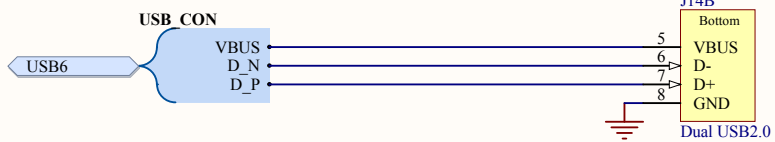
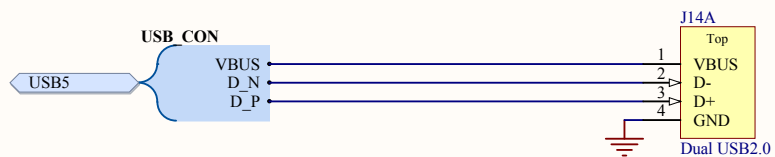
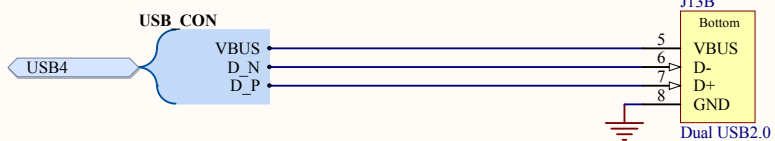
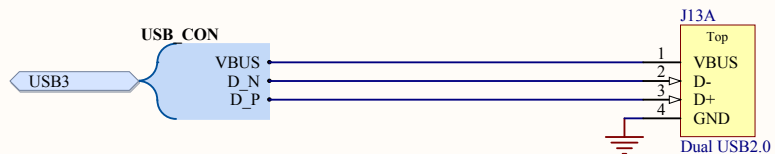
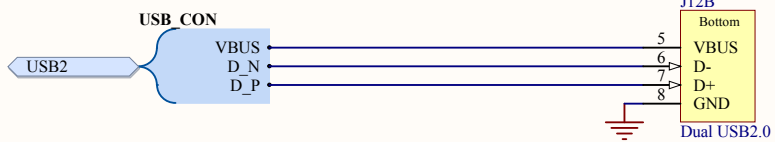
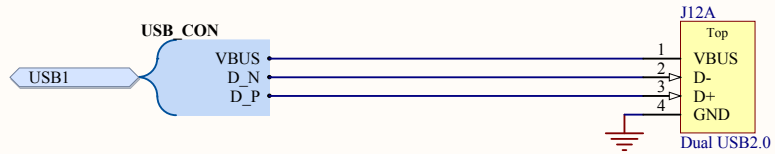
Title *			Hardkernel Co.,LTD. 704 Anyang K-center 1591-9 Burim, Dongangu, Anyang Gyeonggido South Korea
Size: A4	Number: 10	Revision: 0.6	
Date: 2014-07-16	Time: 오후 5:50:52	Sheet 10 of 21	
File: D:\hw\hkl\PC4PC-BASE\USB_HOST_PWR_SW.SchDoc			





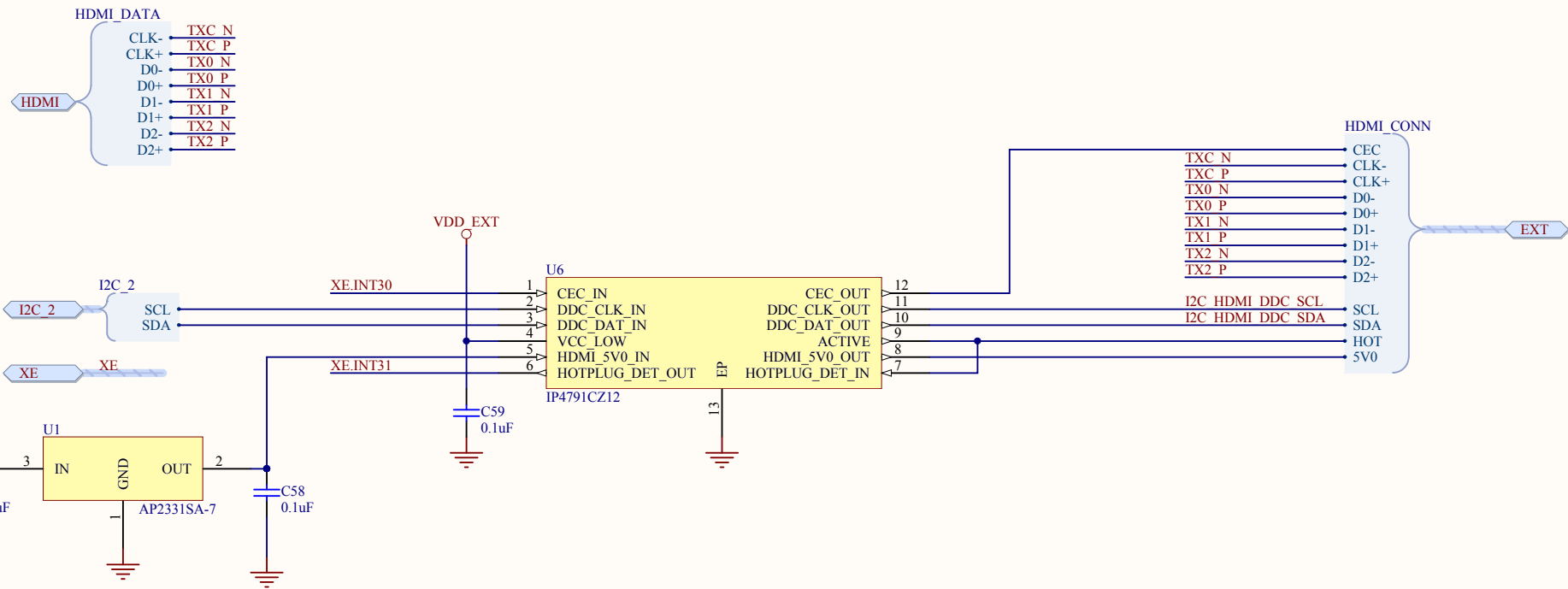
Title <b>Ethernet</b>		Hardkernel Co.,LTD. 704 Anyang K-center 1591-9 Burim, Dongangu, Anyang Gyeonggido South Korea	
Size: A4	Number: 11	Revision: 0.6	
Date: 2014-07-16	Time: 오후 5:50:53	Sheet 11 of 21	
File: D:\hw\hk\PC\4PC-BASE\CON_ETHERNET.SchDoc			





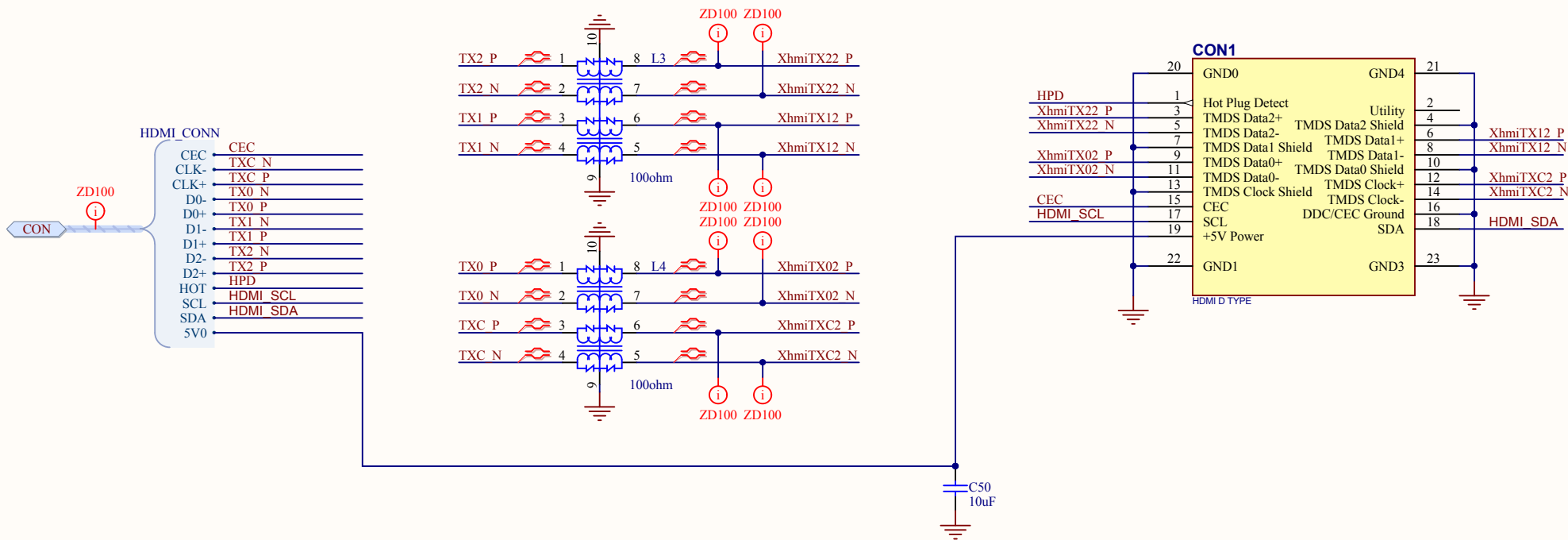
Title <b>USB 2.0 Type A Connector</b>			Hardkernel Co.,LTD. 1-605 Shinan Metrokhan 1115 Dalandong, Dongangu, Anyang Gyeonggido South Korea	
Size: A4	Number: 12	Revision: 0.6		
Date: 2014-07-16	Time: 오후 5:50:53	Sheet 12 of 21		
File: D:\hw\hk\PC\4PC-BASE\CON_USB_RA.SchDoc				





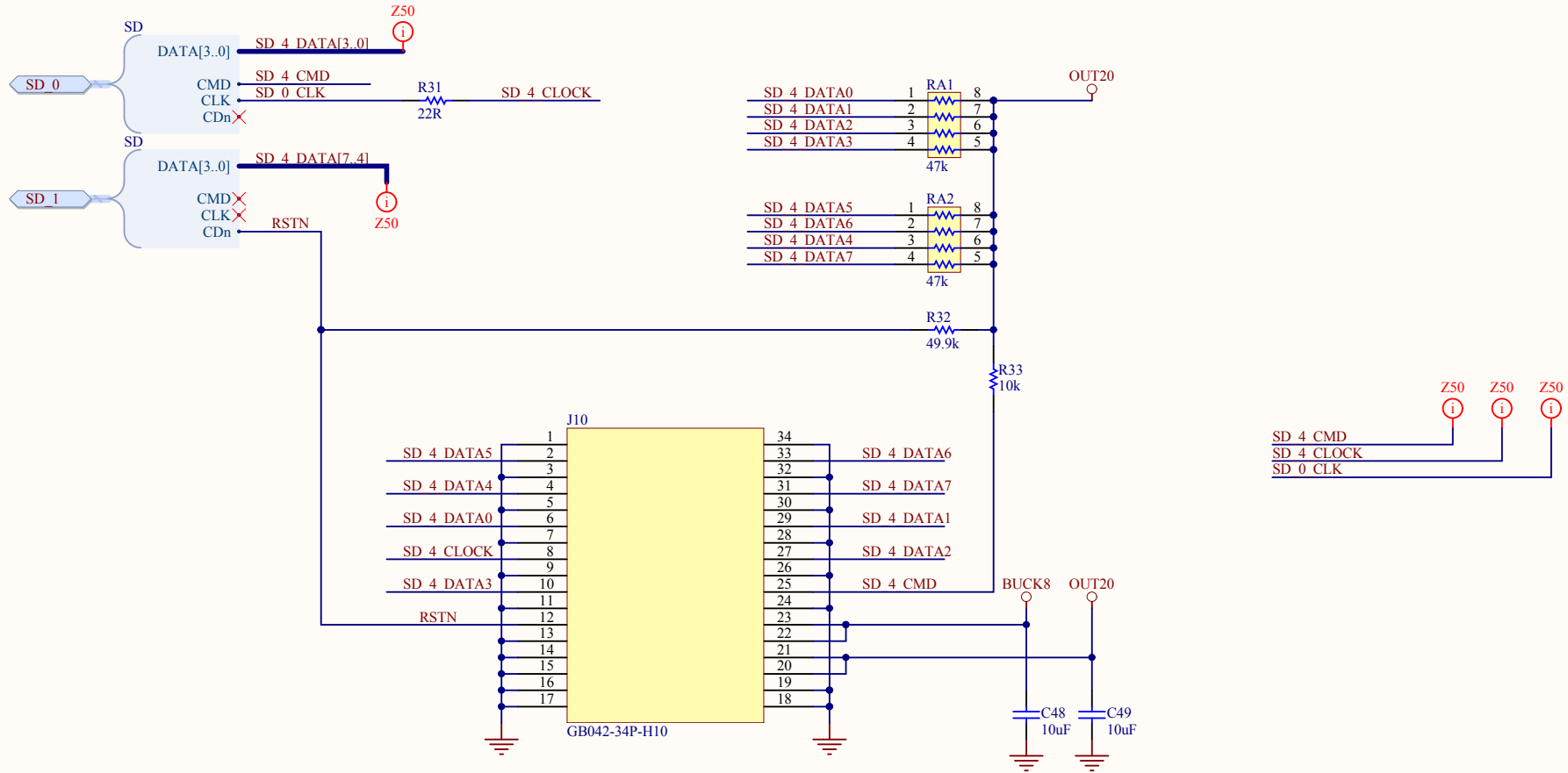
Title <b>HDMI 2C</b>		Hardkernel Co.,LTD. 704 Anyang K-center 1591-9 Burim, Dongangu, Anyang Kyeonggido South Korea	
Size: A4	Number: 13	Revision:0.6	
Date: 2014-07-16	Time: 오후 5:50:53	Sheet 13 of 21	
File: D:\hw\hkl\PC\4PC-BASE\HDMI_I2C.SchDoc			




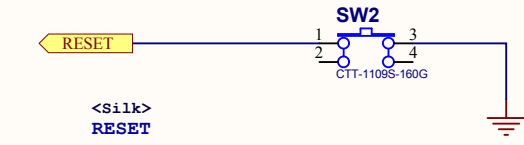
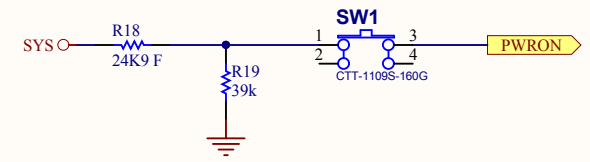
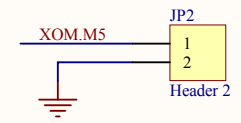
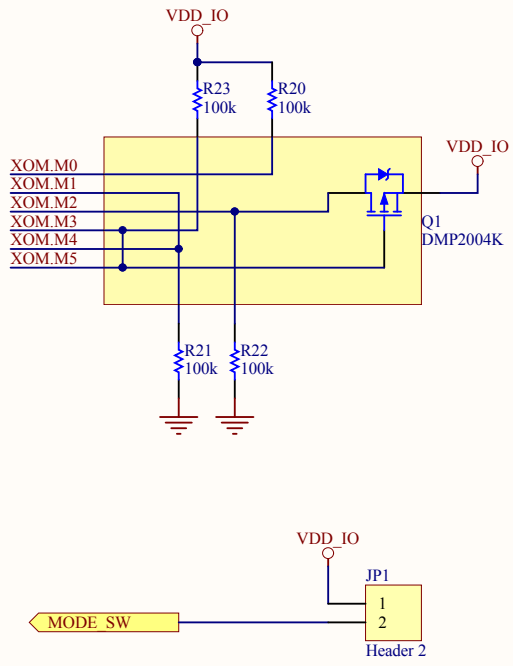
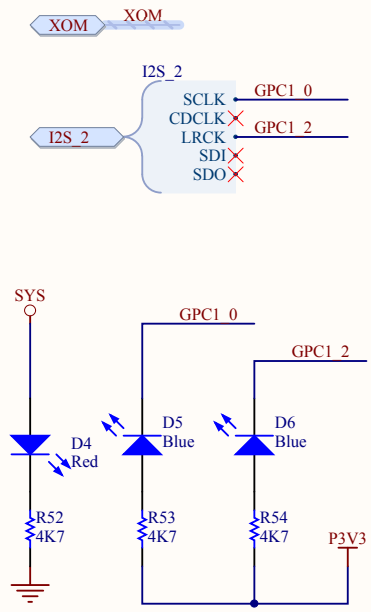


Title <b>Micro HDMI Connector</b>		Hardkernel Co.,LTD. 704 Angyang K-center 1591-9 Burim, Dongangju, Anyang Kyeonggido South Korea	
Size: A4	Number: 14	Revision: 0.6	
Date: 2014-07-16	Time: 오후 5:50:53	Sheet 14 of 21	
File: D:\hw\hkl\PC\4PC-BASE\CON_HDMI.SchDoc			

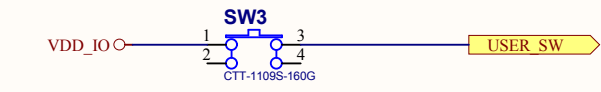




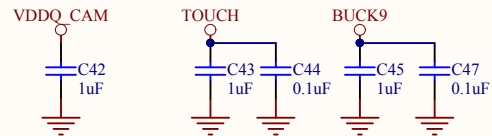
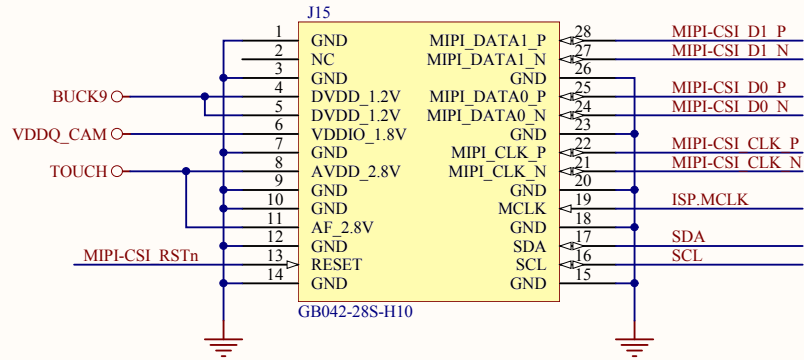
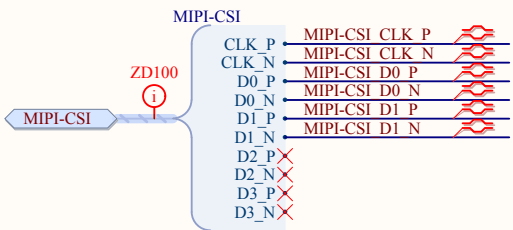
Title <b>CON_EMMC</b>			Hardkernel Co.,LTD. 704 Anyang K-center 1591-9 Burim Dongan Gu Gyeonggido South Korea	
Size: A4	Number: 15	Revision: 0.6		
Date: 2014-07-16	Time: 오후 5:50:53	Sheet 15 of 21		
File: D:\hw\hkl\PC4PC-BASE\CON_EMMC.SchDoc				



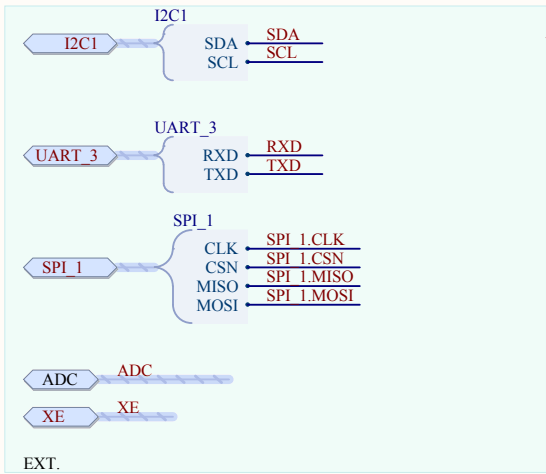
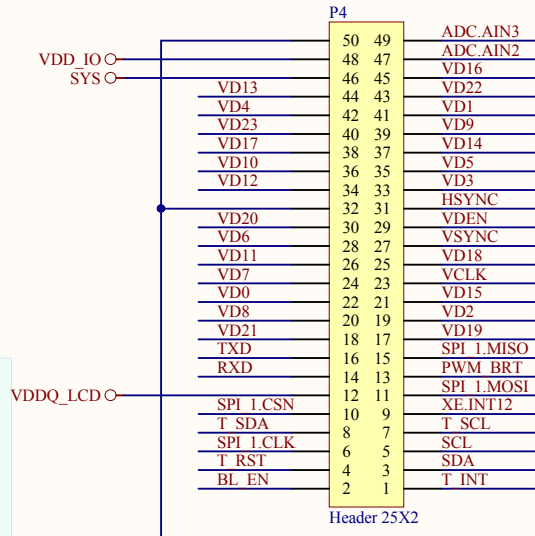
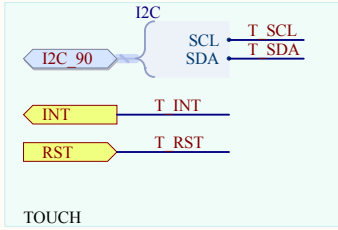
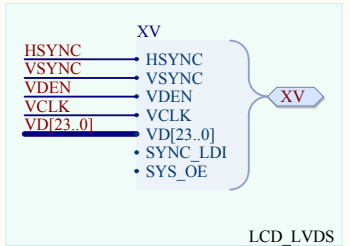
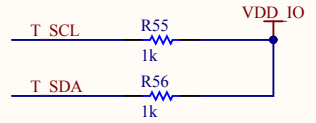
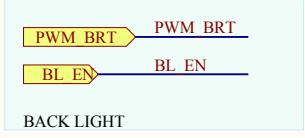
### Reset Circuitry

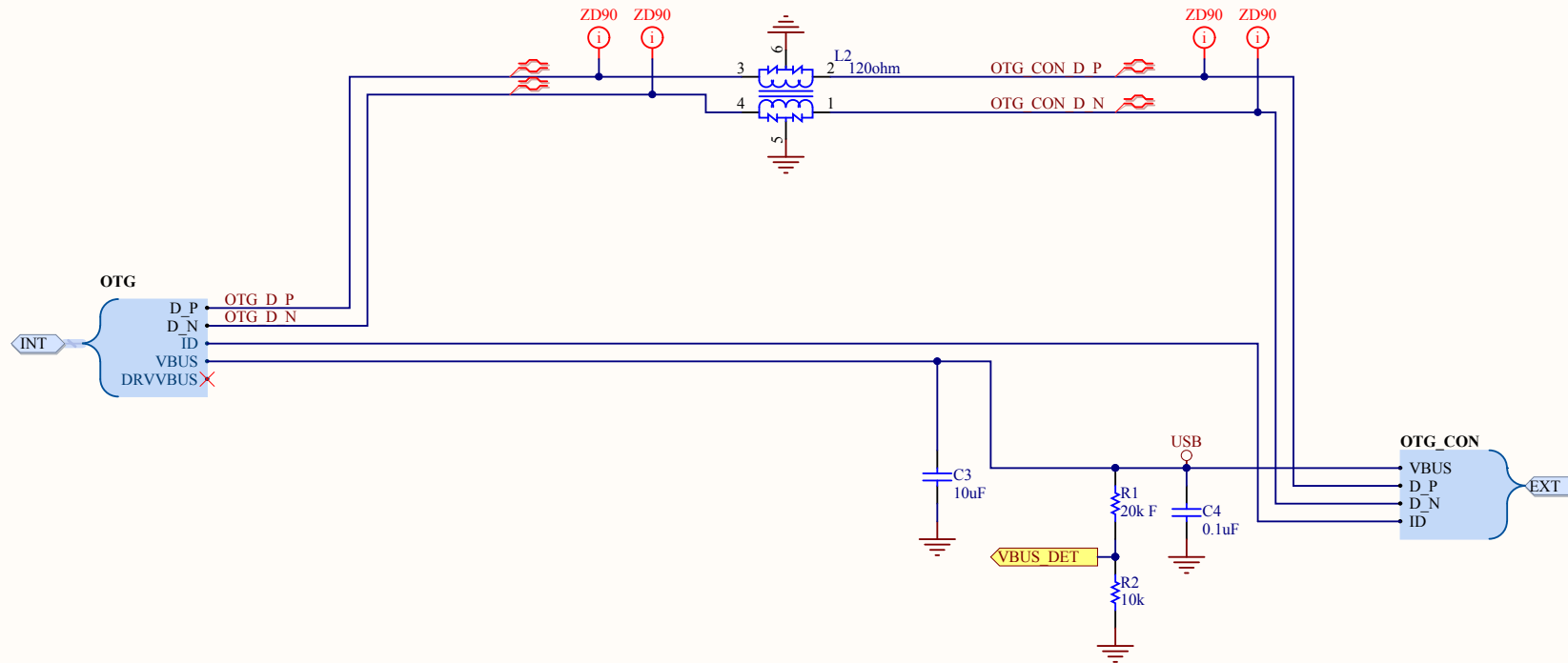


Title <b>Keys, Boot MODE</b>			Hardkernel Co.,LTD. 704 Anyang K-center 1591-9 Burim Dongan Gu Gyeonggido South Korea	
Size: A4	Number: 16	Revision: 0.6		
Date: 2014-07-16	Time: 오후 5:50:53	Sheet 16 of 21		
File: D:\hw\hkl\PC4PC-BASE\X_KEYS.SchDoc				



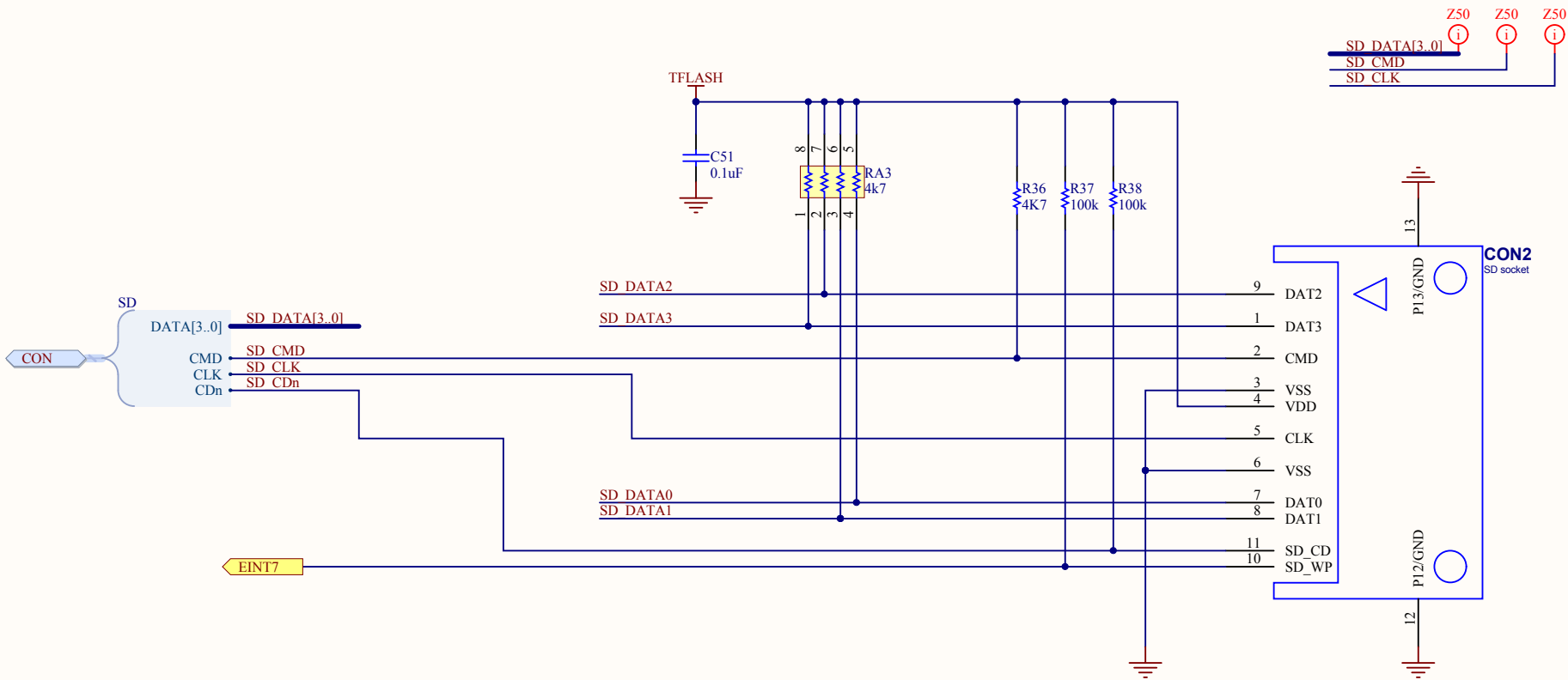
Title <b>Con - Camera</b>			Hardkernel Co.,LTD. 704 Anyang K-Center, Gwangyang, Dongan, Anyang Gyeonggido South Korea
Size: A4	Number:17	Revision:0.6	
Date: 2014-07-16	Time: 오후 5:50:53	Sheet 17 of 21	Cannot open file C:\Users\ydongyo\Do wnloads\Odroid-A_Lo
File: D:\hw\hkl\PC4PC-BASE\CON_CAMERA.SchDoc			






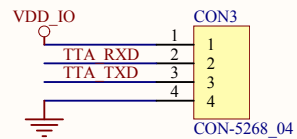
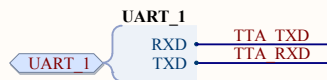
Title <b>USB OTG</b>		Hardkernel Co.,LTD. 1-605 Shinan Metrokhan 1115 Dalandong, Dongangu, Anyang Gyeonggido South Korea	
Size: A4	Number: 19	Revision:0,6	
Date: 2014-07-16	Time: 오후 5:50:54	Sheet 19 of 21	
File: D:\hw\hkl\PC4PC-BASE\USB_OTG.SchDoc			





Title <b>CON_SD</b>			Hardkernel Co.,LTD. 704 Anyang K-center 1591-9 Burim, Dongang, Anyang Gyeonggido South Korea	
Size: A4	Number:20	Revision:0.6		
Date: 2014-07-16	Time: 오후 5:50:54	Sheet 20 of 21		
File: D:\hw\hkl\PC\4PC-BASE\CON_SD_WALTA-F03-0647-00001.SchDoc				





Title <b>CON_UART</b>			Hardkernel Co.,LTD. 704 Anyang K-center 1591-9 Burim, Dongangu, Anyang Gyeonggido South Korea	
Size: A4	Number:21	Revision:0.6		
Date: 2014-07-16	Time: 오후 5:50:54 Sheet 21 of 21			
File: D:\hw\hkl\PC4PC-BASE\CON_UART.SchDoc				